

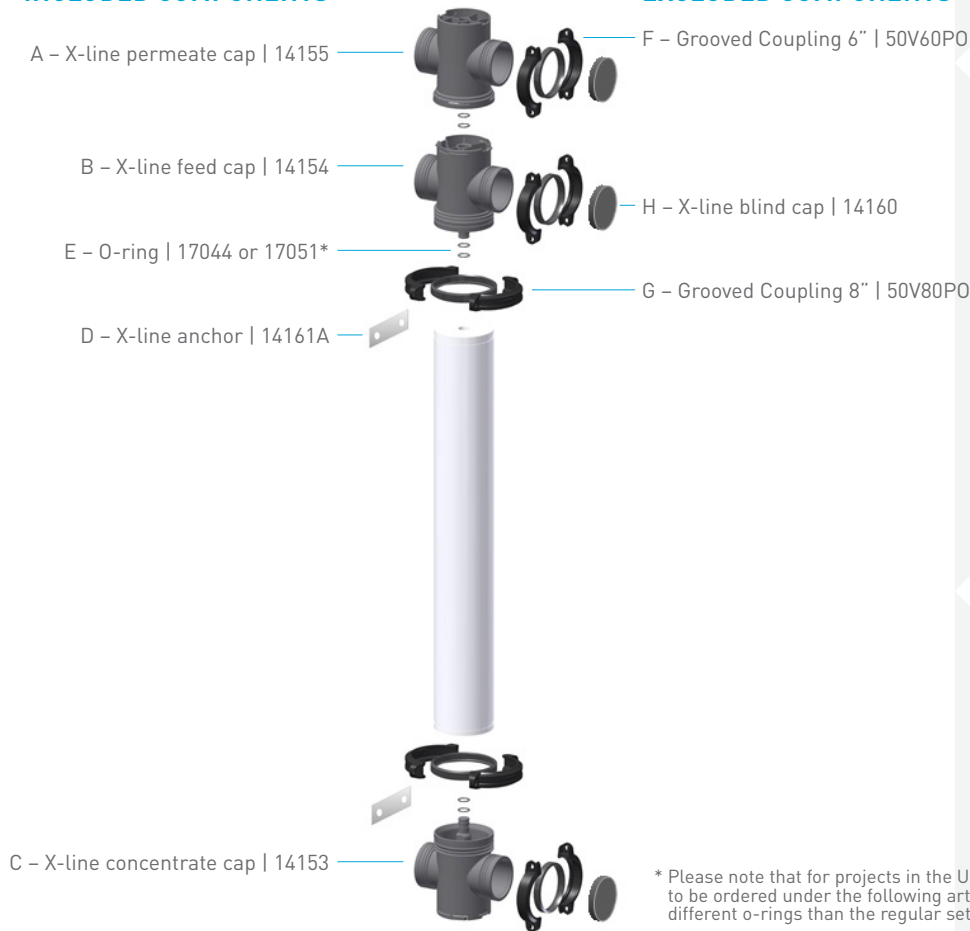
X-FLOW X-LINE RACK VERTICAL DEAD-END ULTRAFILTRATION

CONNECTION SPECIFICATIONS

STANDARD CONFIGURATION

INCLUDED COMPONENTS

EXCLUDED COMPONENTS



* Please note that for projects in the USA or France, the End cap connection set needs to be ordered under the following article code: XLINEA . This connection set includes different o-rings than the regular set.

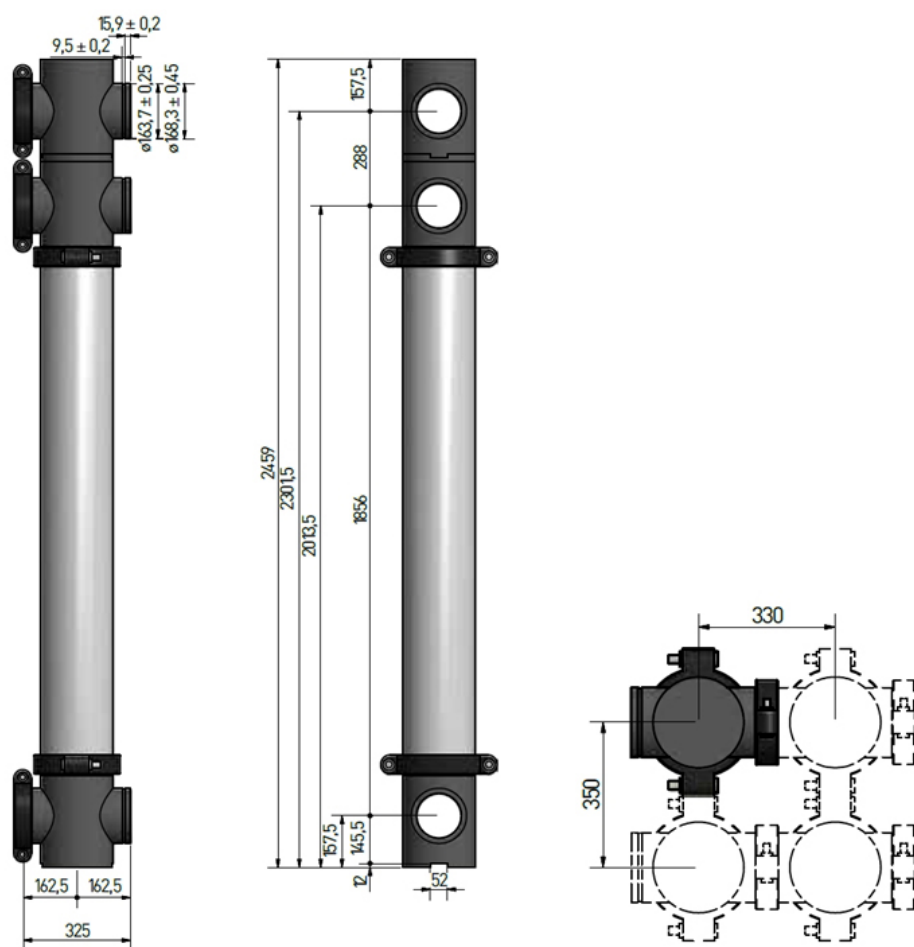
ARTICLE NAME	X-line	Connection set	
ARTICLE CODE	XLINE	XLINEA	
<i>INCLUDES THE FOLLOWING COMPONENTS:</i>			
ARTICLE NAME	ARTICLE CODE		REQUIRED QUANTITY PER MODULE
A X-line permeate cap	14155	14155	1
B X-line feed cap	14154	14154	1
C X-line concentrate cap	14153	14153	1
D X-line anchor	14161A	14161A	2
E O-ring	17044	17051	6

X-FLOW X-LINE RACK

VERTICAL DEAD-END ULTRAFILTRATION

CONNECTION SPECIFICATIONS

INSTALLATION DIMENSIONS



CERTIFICATIONS

The X-line rack has certifications in the following countries:

- USA: ANSI/NSF, Standard 61
- UK: DWI Regulation 31
- France: ACS
- Germany: KTW and DVGW
- The Netherlands: KIWA-ATA

X-FLOW X-LINE RACK

VERTICAL DEAD-END ULTRAFILTRATION

CONNECTION SPECIFICATIONS

COUPLINGS

Both the feed cap and concentrate cap are connected to the module with standard 8" grooved couplings with gasket, style 75 or equal.

The permeate cap, feed cap and concentrate cap are interconnected with standard 6" grooved couplings with gasket, style 75 or equal.

	ARTICLE NAME	ARTICLE CODE	REQUIRED QUANTITY PER MODULE
F	Grooved Coupling 6"	50V60PO	3
G	Grooved Coupling 8"	50V80PO	2

The supply of grooved couplings by X-Flow is optional, the couplings are NOT included in the X-line | connection set.

OPERATING SPECIFICATIONS

MAX. SYSTEM PRESSURE	TEMPERATURE RANGE
kPa [psi]	°C [°F]
300 [43]	0-40 [32-104]

IMPORTANT NOTES

In case of any X-line project, the complete scope of supply can be defined by the use of the X-line configuration tool. This will also include the total required quantity of X-line blind caps (art. code 14160), as well as optional components such as the couplings and a frame.

	ARTICLE NAME	ARTICLE CODE	REQUIRED QUANTITY PER RACK
F	X-line blind cap	14160	Configuration dependent

For more information about the X-line rack in general, please have a look at the datasheet of X-line rack.

Please contact your X-Flow sales person to determine your configuration or in case you need additional information about the X-line rack.



ATS Water technology

54/18 Bùi Quang Là, P.12, Q.Gò Vấp, HCM

ats@ats-water.com Tel. +(028) 3588 8961

www.ats-water.com Fax. +84 835.888.96