



# Spin Klin<sup>™</sup> NOVA

Modular disc filter system



# MASTERS OF FILTRATION



Any Technology



Anywhere



Any Challenge



Any Water Source

**Your water challenge.**  
**Our filtration solution.**

Amiad Water Systems is a world leader in water treatment and filtration solutions. For over 57 years Amiad has devoted its passion and commitment to developing a comprehensive line of water filtration systems for a wide range of industrial applications.

Our solutions are integrated into the core of water filtration systems in the following industries and applications: metal, plastic, energy, chemical, water treatment and salt water disposal.

We develop filters that are able to cope with any water quality, in any geographical location.

We've spent years mastering filtration technology so we can offer a wide range of filters for every industrial need, including screen, disc, microfiber or media technology.

We consider every challenge as an opportunity to work side by side with our customers to solve their problems.

We'll go anywhere to ensure our filters perform as expected, 24/7, every day of the year.

When you want a high-performance solution for your water filtration system, consult with Amiad. We focus on doing what we do best.

**Amiad. Masters of Filtration.**



Disc  
Technology



Screen  
Technology



Media  
Technology



Microfiber  
Technology

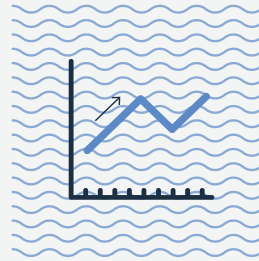


# Spin Klin™ NOVA: Reinventing Filtration

## FEATURES

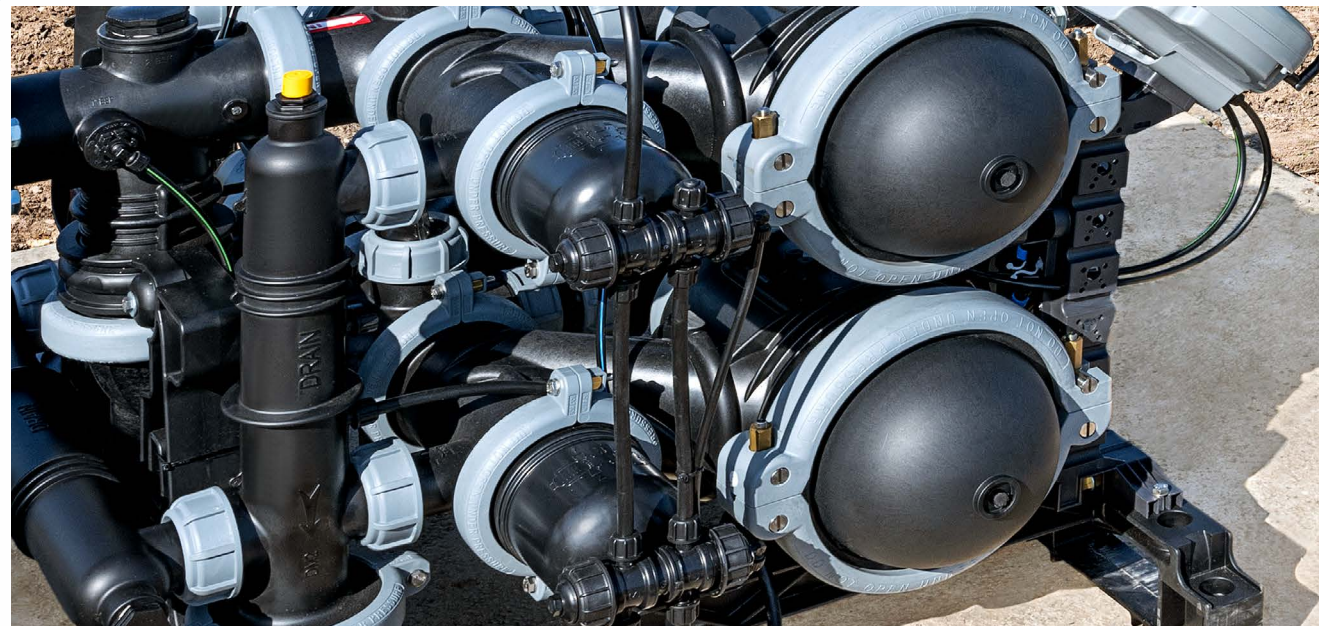
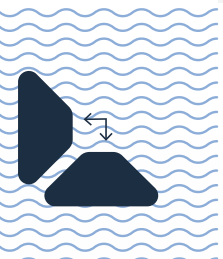
### Exceptional Performance

Spin Klin™ Nova offers up to 80% lower head loss, improved dirt holding capacity and longer filtration cycles for more efficient performance.



### Modularity at its Best

Spin Klin™ Nova grows according to requirements, with interchangeable spines that can triple the filtration area when needed. The flexible inlet and outlet ports adapt to various installation configurations.



### Patented Technology

The breakthrough "line-of-sight" design minimizes flow interference and offers the highest level of efficiency.



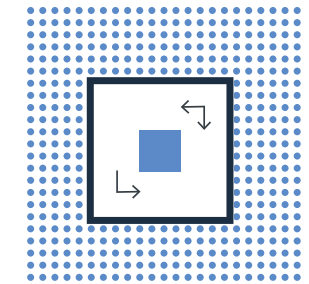
### All-polymeric Construction

With a new polymeric body, Spin Klin™ Nova is corrosion resistant, adheres to the most stringent pressure requirements and has an exceptional weight-to-performance ratio.



### Small Footprint

Spin Klin™ Nova offers an excellent size-to-performance ratio, and up to 50% reduction in size, it can easily be installed even in small spaces.



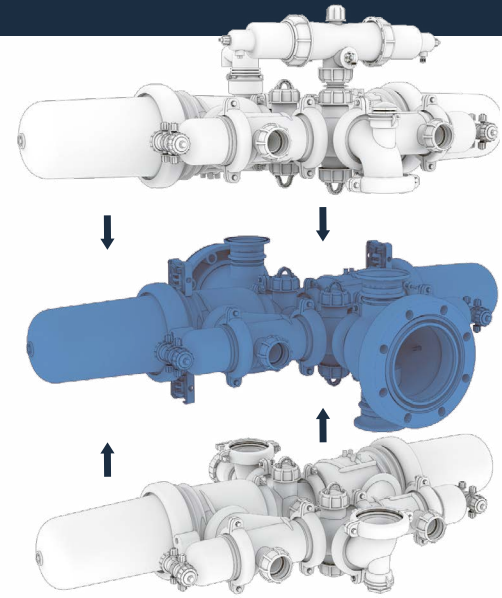
### Smart Filtration

Spin Klin™ Nova is equipped with the latest and most advanced Amiad smart controller for real-time access to your filtration data and full performance control, whenever, wherever.





# Spin Klin™ NOVA: Reinventing Filtration

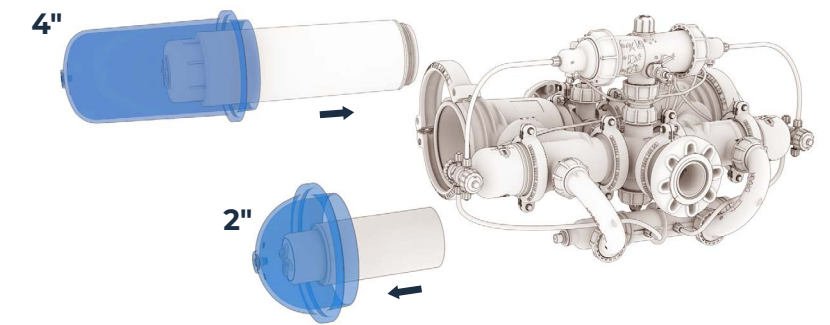
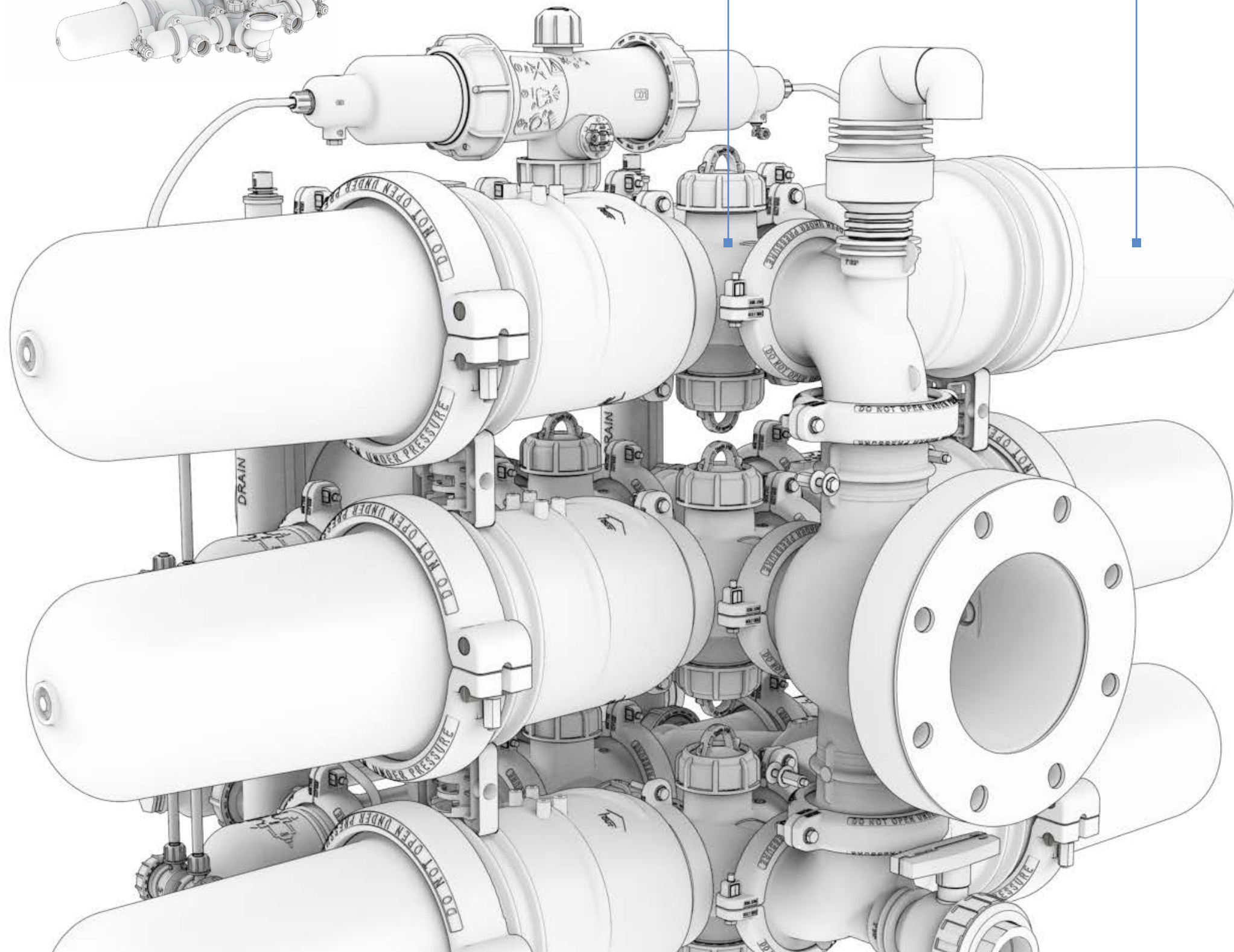


## STACKABLE

Offered in verticle Single, Dual or Trio configurations, Spin Klin™ Nova can accommodate various flow requirements while maintaining a small footprint.

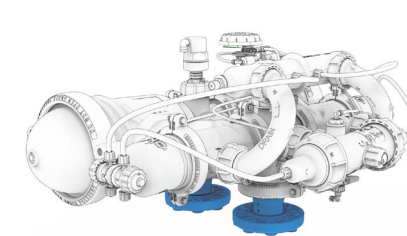
## ADAPTABLE

The 2" spine can easily be upgraded to 4" - tripling the filtration area without needing to replace the filter backbone.

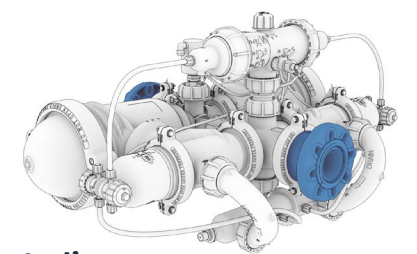


## FLEXIBLE

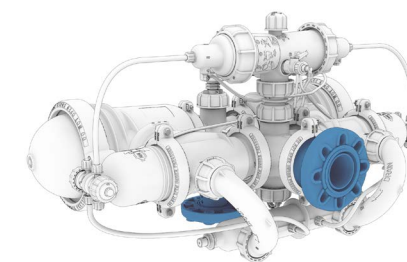
The inlet and outlet ports can easily adapt to any system configuration.



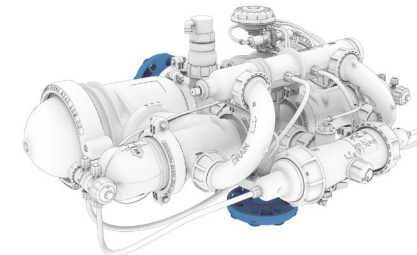
On-line



In-line



Angle



Reverse Angle



# ADI-X: All the data you need, when you need it



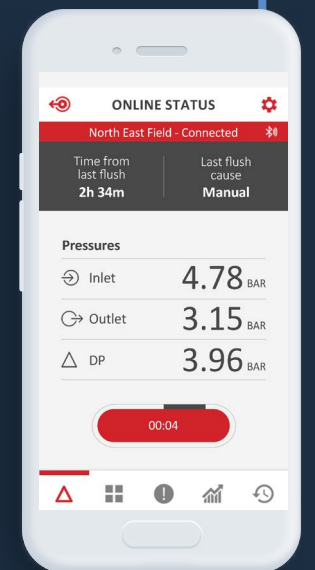
## The ADI-X Controller

Imagine being able to access your real-time filtration data, anytime, anywhere. With the ADI-X controller, you can.

## The ADI-X App

The free cloud communication app allows you to connect to your controller, adjust filtration performance and track your data. Also receive instant alert messaging for:

- Flush logs
- Flush frequency
- Current DP
- Current inlet and outlet pressure
- Flush quality - measuring DP before and after flush cycle
- Malfunctions with descriptions of each event
- Battery status and low battery alerts



Suitable for low pressure (1.5-10 bar)



Up to 12 solenoids with the addition of an additional downstream valve



Provides detailed filtration performance data



Cloud communication and Bluetooth® wireless technology



Offline information storage available



## The ADI-P Controller

Spin Klin™ **Nova Single** units are equipped with the ADI-P Controller. Operating the automated processes that flush your filter, it allows you to control and monitor them easily and conveniently within **Bluetooth®** wireless technology range.



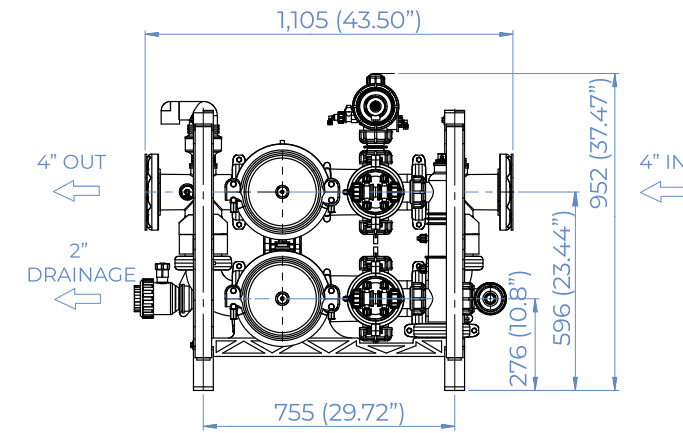
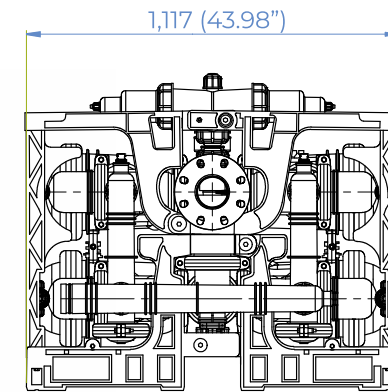
# Spin Klin™ NOVA Models

Spin Klin™ Nova

## Discover the Possibilities



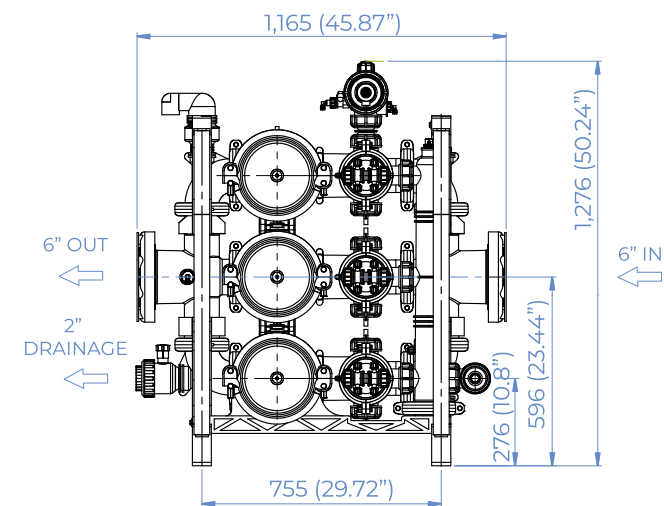
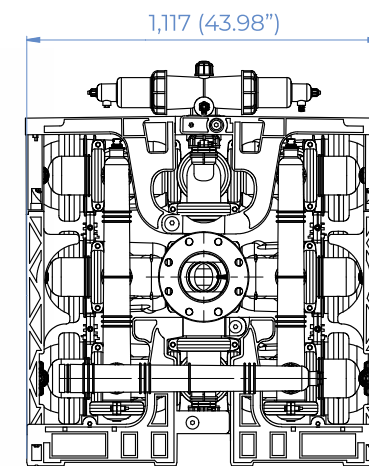
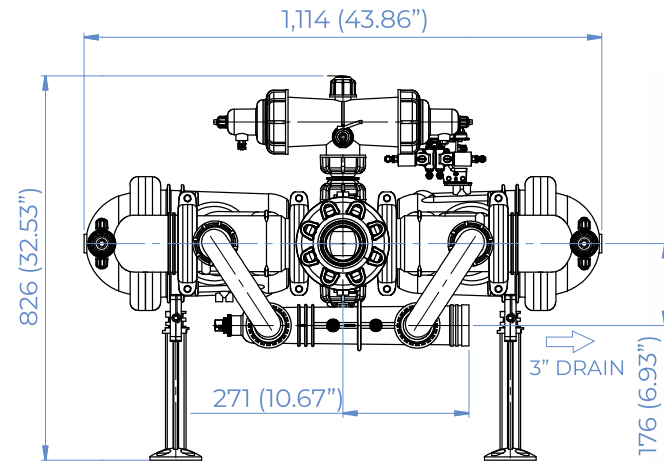
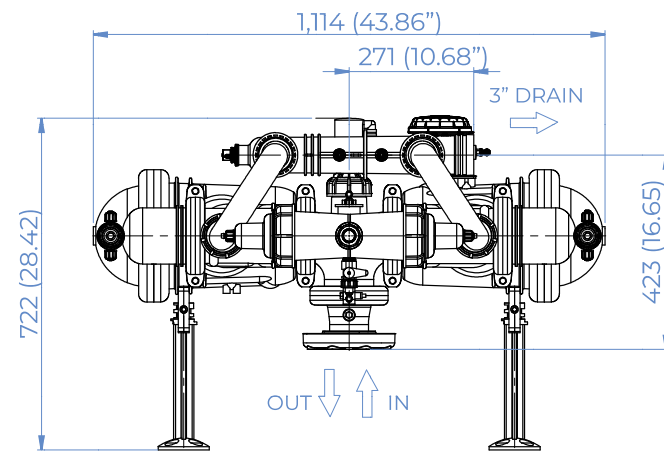
Spin Klin™ Nova Dual



On-line

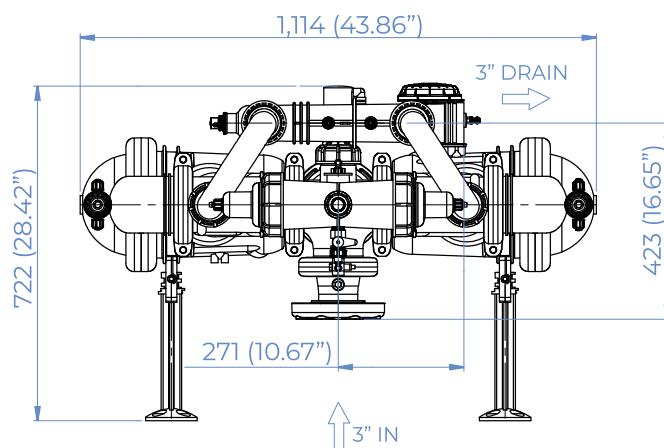
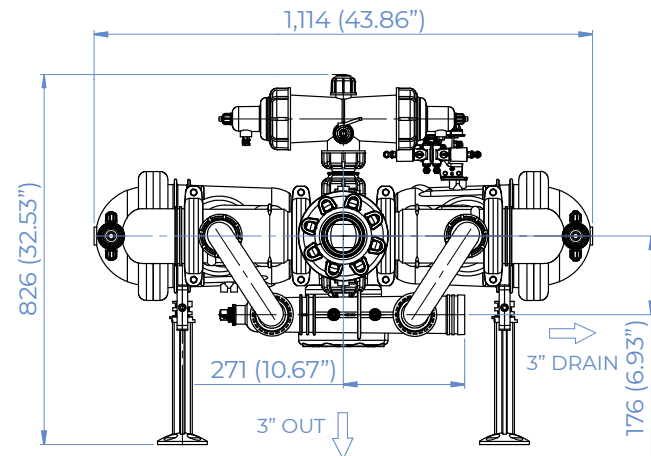
In-line

Spin Klin™ Nova Trio

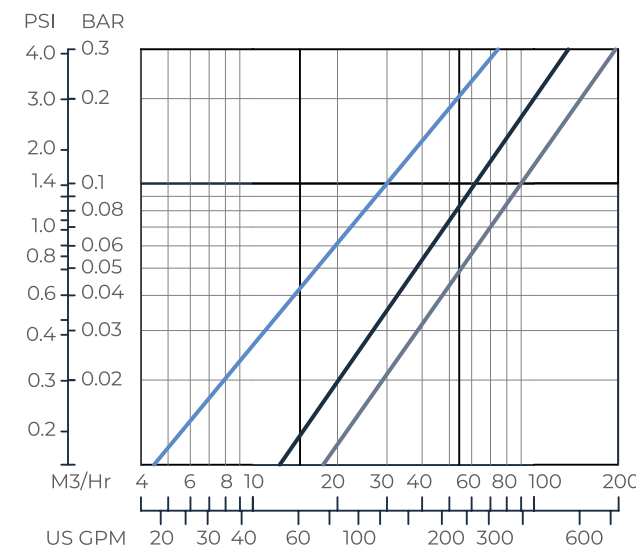


Angle

Reverse Angle



Head Loss Graph (in clean water)



— 3" Nova  
— 4" Nova  
— 6" Nova

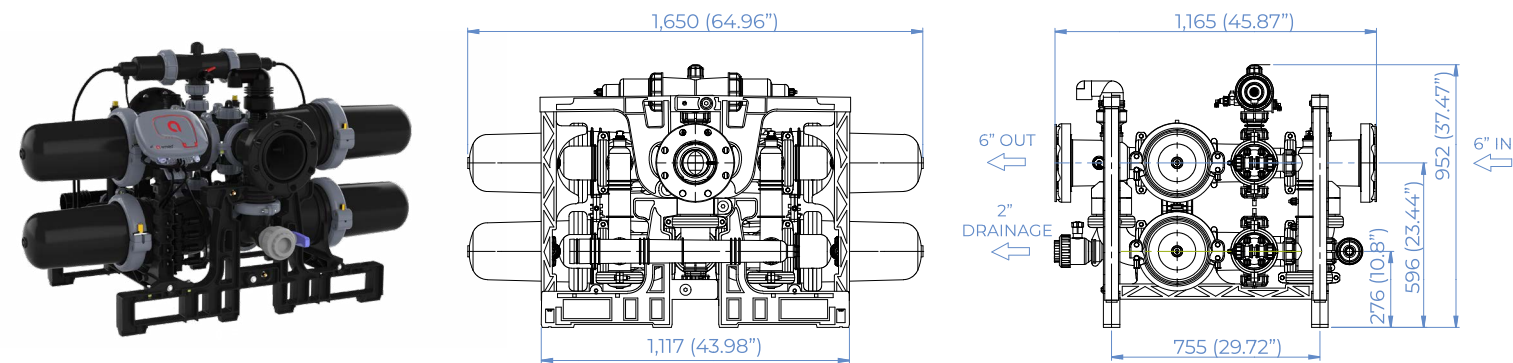
# Spin Klin™ NOVA PLUS Models

## Spin Klin™ Nova Plus

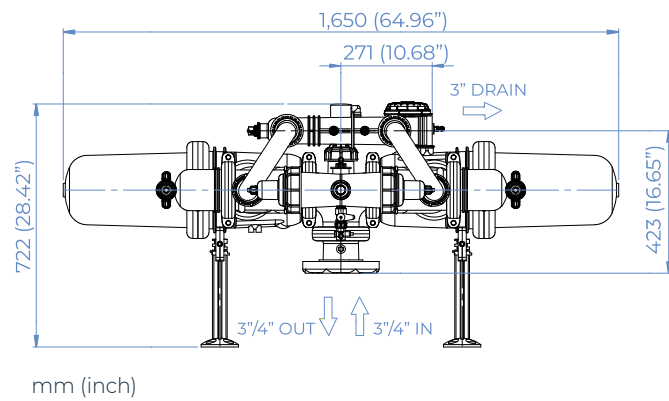
# Discover the Possibilities



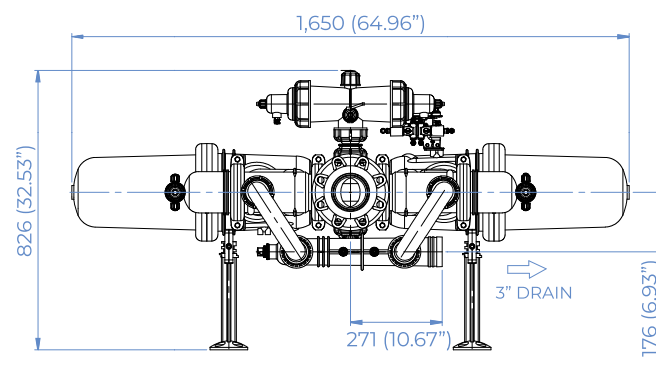
## Spin Klin™ Nova Plus Dual



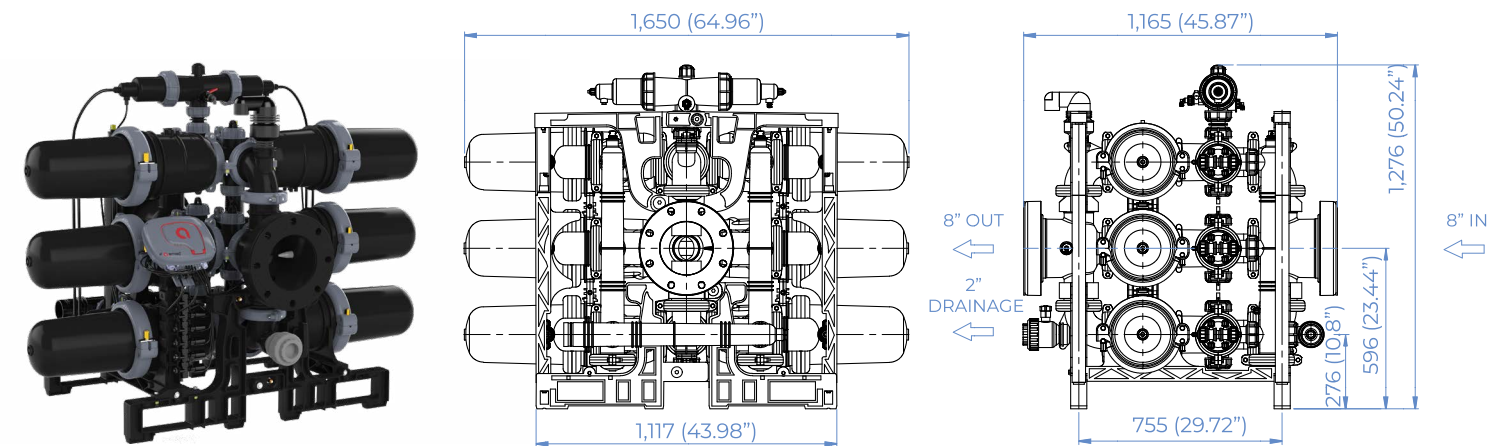
### On-line



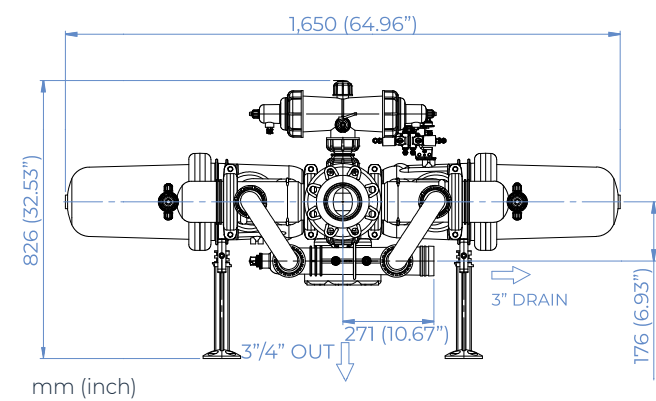
### In-line



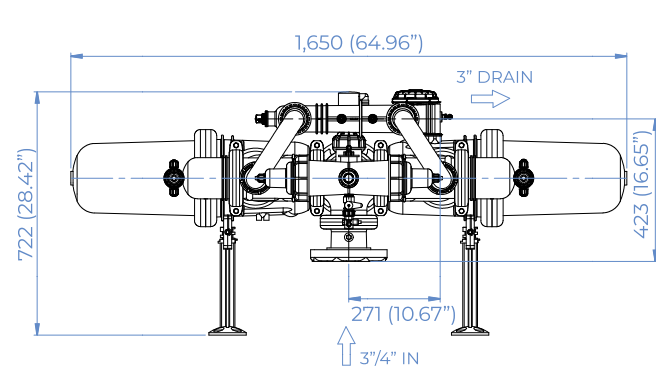
## Spin Klin™ Nova Plus Trio



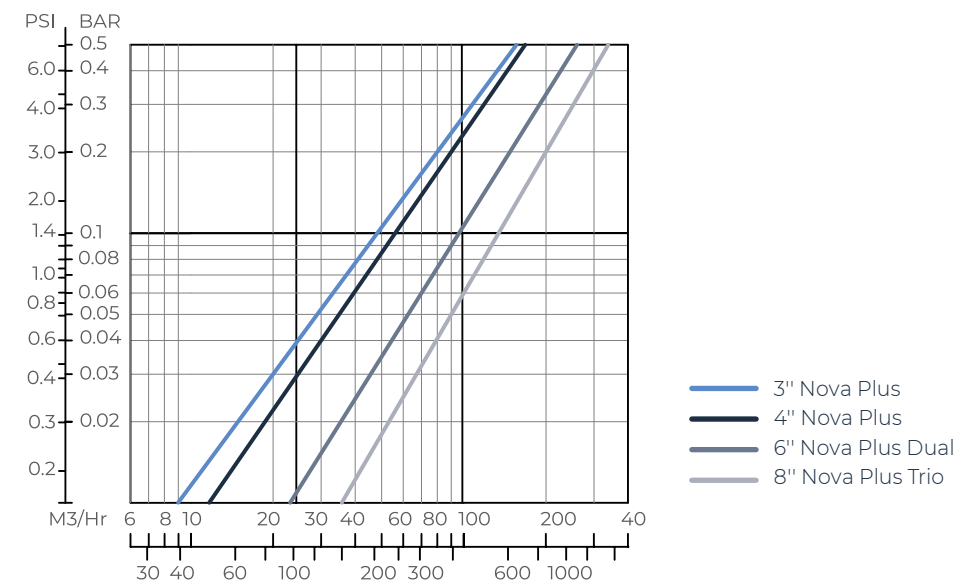
### Angle



### Reverse Angle



### Head Loss Graph (in clean water)





# Technical specifications

## Spin Klin™ Nova

General data	3"-4" Spin Klin™ Nova	4" Spin Klin™ Nova Dual	6" Spin Klin™ Nova Trio
Max. flow rate (130μ)*	50 m <sup>3</sup> /h (220 gpm)	100 m <sup>3</sup> /h (440 gpm)	150 m <sup>3</sup> /h (660 gpm)
Min. operating pressure when cleaning	1.5 bar (22 psi)		
Max. operating pressure	10 bar (145 psi)		
Operating temperature	5-60°C		
Filtration area	1,760 cm <sup>2</sup> (272 in <sup>2</sup> )	3,520 cm <sup>2</sup> (544 in <sup>2</sup> )	5,280 cm <sup>2</sup> (816 in <sup>2</sup> )
Inlet/Outlet diameter	3" (80 mm) Grooved coupling / Universal flange	4" (100 mm) Grooved coupling / Universal flange	6" (150 mm) Universal flange
Weight (Empty)	54 kg (118 lb)	115 kg (253 lb)	156 kg (344 lb)

\* Consult Amiad for optimum flow depending on filtration degree and water quality.

Electronic control ADI-P, single units only	
Control power supply	4 x AA type 1.5V batteries / External 7-14V DC
Solenoid operation data	9-12V DC latching solenoid
DP switch	Integral sensors

Electronic control ADI-X	
Control power supply	4 x D type 1.5V batteries / External 7-14 VDC
Solenoid operation data	9-12 V DC latching solenoid
DP switch	Integral sensors

Flushing data (at 1.5 bar, 22 psi)	
Exhaust valve	3" (80 mm) Grooved coupling
Flushing time	18 sec
Reject water volume per flush cycle	36 liters (9.5 gallons)
Flushing flow rate	7.2 m <sup>3</sup> /h (44 gpm)

Construction materials	
Filter housing and lid	RPA (Reinforced Polyamide)
Discs	PP (Polypropylene) or PA (Polyamide)
Cleaning mechanism	All-polymeric
Exhaust valve	All-polymeric
Seals	EPDM

When the pressure on downstream is over 6 bar during backwash, installing an orifice valve in the drain manifold is recommended to prevent damage to the SK spines.

		Flow rate (130 micron)						CCM Clogging Time (min)
		3"-4" Spin Klin™ Nova		4" Spin Klin™ Nova Dual		6" Spin Klin™ Nova Trio		
		m <sup>3</sup> /h	GPM	m <sup>3</sup> /h	GPM	m <sup>3</sup> /h	GPM	
Water Quality	GOOD	50	220	100	440	150	660	>15
	AVERAGE	40	176	80	352	120	528	5 - 15
	POOR	35	154	70	308	105	462	2.5 - 5
	VERY POOR	25	110	50	220	75	330	1.5 - 2.5

Availability of disc type and micron size

Micron	10	20	40	55	70	100	130	200	400
2" Discs	PP	PP, PA	PP, PA	PP, PA	PP, PA	PP, PA	PP, PA	PP, PA	PP

## Spin Klin™ Nova Plus

General data	3" Spin Klin™ Nova PLUS	4" Spin Klin™ Nova PLUS	6" Spin Klin™ Nova PLUS Dual	8" Spin Klin™ Nova PLUS Trio
Max. flow rate (130μ)*	80 m <sup>3</sup> /h (352 gpm)	110 m <sup>3</sup> /h (484 gpm)	220 m <sup>3</sup> /h (968 gpm)	330 m <sup>3</sup> /h (1,452 gpm)
Min. operating pressure when cleaning	1.5 bar (22 psi)			
Max. operating pressure	10 bar (145 psi)			
Operating temperature	5-60°C			
Filtration area	5,240 cm <sup>2</sup> (383 in <sup>2</sup> )	5,240 cm <sup>2</sup> (383 in <sup>2</sup> )	10,480 cm <sup>2</sup> (1,624 in <sup>2</sup> )	15,720 cm <sup>2</sup> (2,437 in <sup>2</sup> )
Inlet/Outlet diameter	3" (90 mm) Grooved coupling / Universal flange	4" (100 mm) Grooved coupling / Universal flange	6" (150 mm) Universal flange	8" (200 mm) Universal flange
Weight (Empty)	57 kg (126 lb)	58 kg (129 lb)	127 kg (279 lb)	182 kg (401 lb)

\* Consult Amiad for optimum flow depending on filtration degree and water quality.

Electronic control ADI-P, single units only	
Control power supply	4 x AA type 1.5V batteries / External 7-14V DC
Solenoid operation data	9-12 V DC latching solenoid
DP switch	Integral sensors

Electronic control ADI-X	
Control power supply	4 x D type 1.5V batteries / External 7-14 VDC
Solenoid operation data	9-12 V DC latching solenoid
DP switch	Integral sensors

Flushing data (at 1.5 bar, 22 psi)	
Exhaust valve	3" (80 mm) Grooved coupling
Flushing time	18 sec
Reject water volume per flush cycle	65 liters (17.2 gallons)
Flushing flow rate	13 m <sup>3</sup> /h (57.2 gpm)

Construction materials	
Filter housing and lid	RPA (Reinforced Polyamide)
Discs	PP (Polypropylene) or PA (Polyamide)
Cleaning mechanism	All-polymeric
Exhaust valve	All-polymeric
Seals	EPDM

When the pressure on downstream is over 6 bar during backwash, installing an orifice valve in the drain manifold is recommended to prevent damage to the SK spines.

		Flow rate (130 micron)								CCM Clogging Time (min)
		3" Spin Klin™ Nova PLUS		4" Spin Klin™ Nova PLUS		6" Spin Klin™ Nova PLUS		8" Spin Klin™ Nova PLUS		
		m <sup>3</sup> /h	GPM	m <sup>3</sup> /h	GPM	m <sup>3</sup> /h	GPM	m <sup>3</sup> /h	GPM	
Water Quality	GOOD	80	352	110	484	220	968	330	1,452	>15
	AVERAGE	60	264	90	396	180	792	270	1,188	5 - 15
	POOR	55	242	80	352	160	704	240	1,056	2.5 - 5
	VERY POOR	50	220	70	308	140	616	210	924	1.5 - 2.5

Availability of disc type and micron size

Micron	10	20	40	55	70	100	130	200	400
4" Discs	-	PP	PP, PA	PP, PA	-	PP	PP	PP	PP





## Headquarters

**Amiad Water Systems Ltd.**

Web: [www.amiad.com](http://www.amiad.com)

E-mail: [info@amiad.com](mailto:info@amiad.com)

## The Americas

### USA

**Amiad USA Inc.**

Web: [us.amiad.com](http://us.amiad.com) | E-mail: [infousa@amiad.com](mailto:infousa@amiad.com)

### Mexico

**Amiad México SA DE CV,**

Web: [es.amiad.com](http://es.amiad.com) | E-mail: [infomexico@amiad.com](mailto:infomexico@amiad.com)

## Europe

**Amiad Water Systems Europe SAS**

E-mail: [industry-europe@amiad.com](mailto:industry-europe@amiad.com)

### German branch office

E-mail: [industry-de@amiad.com](mailto:industry-de@amiad.com)

### United Kingdom

**Amiad Water Systems UK Limited**

E-mail: [info-uk@amiad.com](mailto:info-uk@amiad.com)

## Australia

**Amiad Australia Pty Ltd.**

Web: [au.amiad.com](http://au.amiad.com) | E-mail: [sales@amiad.com](mailto:sales@amiad.com)

## Asia

### India

**Amiad Filtration India Pvt Limited**

Web: [amiad.com](http://amiad.com) | E-mail: [info-india@amiad.com](mailto:info-india@amiad.com)

### China

**Amiad China (Yixing Taixing Environtec Co., Ltd.)**

Web: [amiad.com.cn](http://amiad.com.cn) | E-mail: [infochina@amiad.com](mailto:infochina@amiad.com)

### South-East Asia

**Filtration & Control Systems Pte. Ltd.**

Web: [amiad.com](http://amiad.com) | E-mail: [info-singapore@amiad.com](mailto:info-singapore@amiad.com)

## VietNam

**ATS Water Technology Co., Ltd**

54/18 Bui Quang La Street, Ward 12, Go Vap District, Ho Chi Minh City, Vietnam

Web: [atswatertechnology.com](http://atswatertechnology.com)

E-mail: [info@atswatertechnology.com](mailto:info@atswatertechnology.com)



 **amiad** INDUSTRY

# MASTERS OF FILTRATION

[www.amiad.com](http://www.amiad.com)

901010-001154/03.2021

Copyright © 2019 Amiad Water Systems Ltd. All rights reserved. The contents of this catalogue including without limitation all information and materials, images, illustrations, designs, icons, photographs, graphical presentations, designs, literary works, data, drawings, slogans, phrases, names, trademarks, titles and any other such materials that appear in this catalogue (collectively, the "Contents") are the sole property of Amiad Water Systems Ltd. ("Amiad"). Amiad has sole and exclusive right, title and interest in the Contents, including any intellectual property rights, whether registered or not, and all know-how contained or embodied therein. You may not reproduce, publish, transmit, distribute, display, modify, create derivative works from, sell or participate in any sale of, or exploit in any way, in whole or in part, any of the Contents or the catalogue. Any use of the catalogue or the Contents, other than for personal use, requires the advanced written permission of Amiad.

The Bluetooth® word mark and logos are registered trademarks owned by the Bluetooth SIG, Inc. and any use of such marks by Amiad Water Systems is under license. Other trademarks and trade names are those of their respective owners.

For more details about our patents go to: [www.amiad.com](http://www.amiad.com)