

**AnTech**  
"Water Control Technologies"



**ATS WATER  
TECHNOLOGY**

## MEASUREMENT AND CONTROLLING DEVICES



**ENELSA**  
Endüstriyel Elektronik İnş.Taah.San.Tic.Ltd.Şti.



1

## OMNICON

### Features

- Omnicon, thanks to its flexible structure, gives opportunity of measurement and controlling for the defined parameters according to the process by user with only a single device. Omnicon can do the job only by itself that two or more devices are needed in same process.
- Single parameter, 2 parameters, 3 parameters and multiparameter (up to 6 parameters) device options.
- 100-230V AC and 12 DC power supply compatible.
- Graphic LCD Screen, adjustable light, contrast and volume.
- Liquid level, flow rate, counter and external alarm inputs.
- 16-bit RISC micro controller, real time clock.
- 3 level password protection.
- 2048 number of log memory. Logs can be viewed as list and graphic.
- User friendly menu system less manual reading needed, English and Turkish optional.
- 5 different type of calibration option, automatic liquid identification and temperature compensation.
- Programmable relay outputs (Reduce, Boost, PID Reduce, PID Boost, Limit Switch, Pulse Width)
- Programmable counter input (Lt, m3 and number countable), printer, Omnicon Visio and Info Panel Connection
- Optionally adjustable 4-20mA and 0-20mA analog output by up to 4 different user
- Optionally 4 different 4-20 mA Analog output
- Optionally, device supports wide range of communication protocol.

Page 2

### Parameters

- ▶ pH
- ▶ Redox
- ▶ Conductivity
- ▶ TDS
- ▶ Free Chlorine
- ▶ Total Chlorine
- ▶ Combined Chlorine
- ▶ Dissolved Oxygen
- ▶ Chlorine Dioxide
- ▶ Hydrogen Peroxide
- ▶ Ozone
- ▶ Paracetic Acid
- ▶ Turbidity
- ▶ Humidity
- ▶ Temperature



Stock Code	Model	Description	Package Sizes/cm W-L-H	Packed Weight/Kg
20101000000000	OMNICON PH	PH MEASUREMENT AND CONTROLLING DEVICE	27 x 30 x 13	1,65
20100100000000	OMNICON ORP	ORP MEASUREMENT AND CONTROLLING DEVICE		
20100010000000	OMNICON CON	CONDUCTIVITY MEASUREMENT AND CONTROLLING DEVICE		
***	OMNICON GP	GENERAL PURPOSE MEASUREMENT AND CONTROLLING DEVICE		

Stock Code	Model	Description	Package Sizes/cm W-L-H	Packed Weight/Kg
20101100000000	OMNICON PH-ORP	PH& ORP MEASUREMENT AND CONTROLLING DEVICE	27 x 30 x 13	1,95
20101010000000	OMNICON PH-CON	PH& CONDUCTIVITY MEASUREMENT AND CONTROLLING DEVICE		
20101001000000	OMNICON PH-FCL	PH& FREE CHLORINE MEASUREMENT AND CONTROLLING DEVICE		
***	OMNICON PH-GP	PH& GENERAL PURPOSE MEASUREMENT AND CONTROLLING DEVICE		
***	OMNICON 2 GP	DUAL CHANNEL GENERAL PURPOSE MEASUREMENT AND CONTROLLING DEVICE		

Stock Code	Model	Description	Package Sizes/cm W-L-H	Packed Weight/Kg
20101110000000	OMNICON PH-ORP-CON	PH& REDOX & CONDUCTIVITY MEASUREMENT AND CONTROLLING DEVICE	27 x 30 x 13	2,00
20101101000000	OMNICON PH-ORP-FCL	PH& REDOX & FREE CHLORINE MEASUREMENT AND CONTROLLING DEVICE		
***	OMNICON PH-ORP-GP	PH& REDOX & GENERAL PURPOSE MEASUREMENT AND CONTROLLING DEVICE		
***	OMNICON PH-CON-GP	PH& CONDUCTIVITY & GENERAL PURPOSE MEASUREMENT AND CONTROLLING DEVICE		
***	OMNICON EXPERT	PH& CONDUCTIVITY & FCL & TCL & CCL MEASUREMENT AND CONTROLLING DEVICE		

■ \*\*\* Stock code will be defined according to chosen parameters.

■ **FCL:**Free chlorine - **TCL:** Total Chlorine -**CCL:** Combined Chlorine

▶ **Single parameter controller comes with 1010 body , module addition is possible up to 3 modules of the same parameter.**

▶ **Multi-parameter controller comes with 1020 body.**

## ▶ OMNICON WEB INTERFACE

Web interface programme gives the remote controlling and monitoring ability by added on devices optionally. By the Omnicon Web Interface;

- You can monitor the measurement values momentarily.
- Saved logs can be viewed in graphics or tables, reported and exported to computer as pdf document.
- Settings can be changed and relays can be controlled.
- No need of any additional software to use Omnicon Web Interface. Any of the web browsers (such as Google chrome, Internet Explorer and etc.) enough to start using web interface of your device.



- Your Omnicon device not only can be connected by modem but also directly to your computer.
- And also you can have connection via industrial type wireless modem to Omnicon Web Interface



- By opening external port on your modem, you can connect from computers from out of facility, smartphones and tablets

Page 4



- User login with password

- Momentarily monitoring of measured values, adjusting relay settings, controlling equipments connected to relay such as pumps and valves.



- Viewing saved logs and printing.

Stock Code	Model	Description
------------	-------	-------------

88201504002000 OMNICON WEB INTERFACE MONITORING AND CONTROLLING INTERFACE ON INTERNET

## OMNICON Technical Spec

### ■ Power supply

100-230VAC, 50-60Hz 0,1A Max  
12VDC 1A Max\* \* (Optional)

### ■ pH

0.00 - 14.00pH Measurement Range  
Resolution: 0.01pH  
Temperature Compensation: NTC, PT100, PT1000

### ■ ORP

0000 - 1500mV Measurement Range  
Resolution: 1 mV

### ■ Conductivity / TDS

0.00 - 2000mS (Programmable)  
Temperature Compensation: NTC, PT100, PT1000  
Low Measurement Limit: 0,0 - 200,0 uS/ppm\*  
Resolution: 0,1 uS/ppm\*  
Mid Measurement Limit: 0 - 20.000 uS/ppm\*  
Resolution: 1 uS/ppm\*  
High Measurement Limit: 0,0 - 200,0 mS/ppt\*  
Resolution: 0,01 mS/ppt\*  
\* Units are binding for TDS.

### ■ Measurement Parameters

Total Chlorine	} 0.00-0.50/2.00/10.00/200 ppm*
Combined Chlorine	
Free Chlorine	} 0,01 ppm Resolution*
Chlorine Dioxide	} 0.00-200 ppt(Prg) Measurement Range*
Ozone	
Hydrogen Peroxide	} 0,01 ppt Resolution*
Peracetic acid	} 0,01 ppm Resolution*
Turbidity	0-40 NTU / 0-400 NTU / 0-4000 NTU

\*: Might vary according to measurement parameter.

### ■ DO

0.00 - 200 ppt (Prg) Measurement Range  
0,01 ppt Resolution  
Temperature compensation: NTC, PT100, PT1000  
Special salinity and air pressure parameters

### ■ Humidity

0,0 - 100,0 rh% Measurement Range 0,1 rh% Resolution  
Free chlorine  
0,00-10,00 ppm Measurement Range  
Resolution: 0,01 ppm

### ■ Temperature

RTD -25,0 - 125,0°C Measurement Range 0,1 °C Resolution  
NTC -5,0 - 80,0°C Measurement Range 0,1 °C Resolution

### ■ Digital Inputs

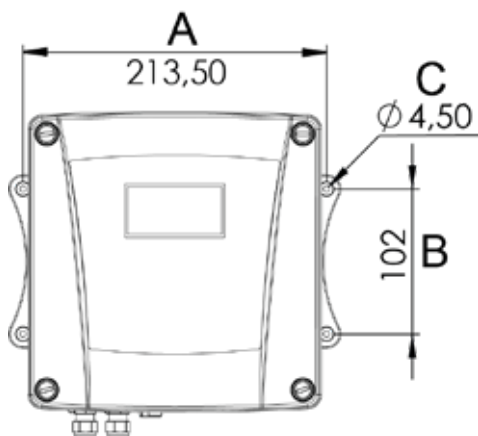
2 liquid level, 1 flow rate sensor input (PNP,NPN)  
1 External alarm input  
Programmable Counter input (LT, m3, number countable)  
(divider and pulsator optional)

### ■ Outputs

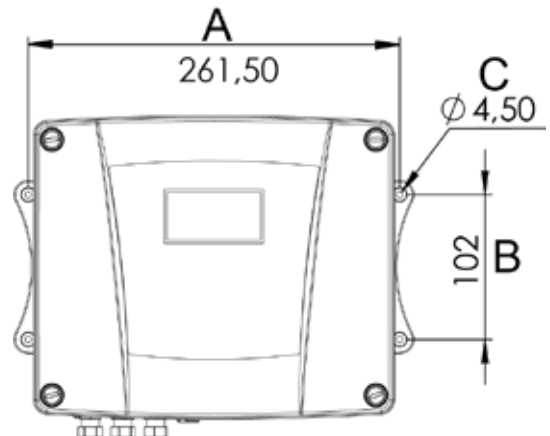
4 programmable relay inputs; 5A 110-230VAC,  
\*5A 12VDC or can be setted without potential  
( Reduce Control, Boost Control, PID Reduce  
Control, PID Boost Control, Counter, Timer, Alarm)

1 Alarm relay 5A without potential (NO-NC)  
4 0-20mA, 4-20mA programmable analog output  
(Linear output, Reduce Control, Boost Control,  
PID Reduce Control, PID Boost Control, Limit Switch,  
Pulse Width)

## 1010 dimension



## 1020 dimension







## ▶ Communication Protocol

Communication Protocol (Optional)

- |                   |                            |
|-------------------|----------------------------|
| RS485             | MODBUS RTU Slave           |
| Ethernet          | MODBUS TCP Slave           |
| MODBUS RTU Master | Printer Connection-Omnicon |
|                   | Web Interface              |

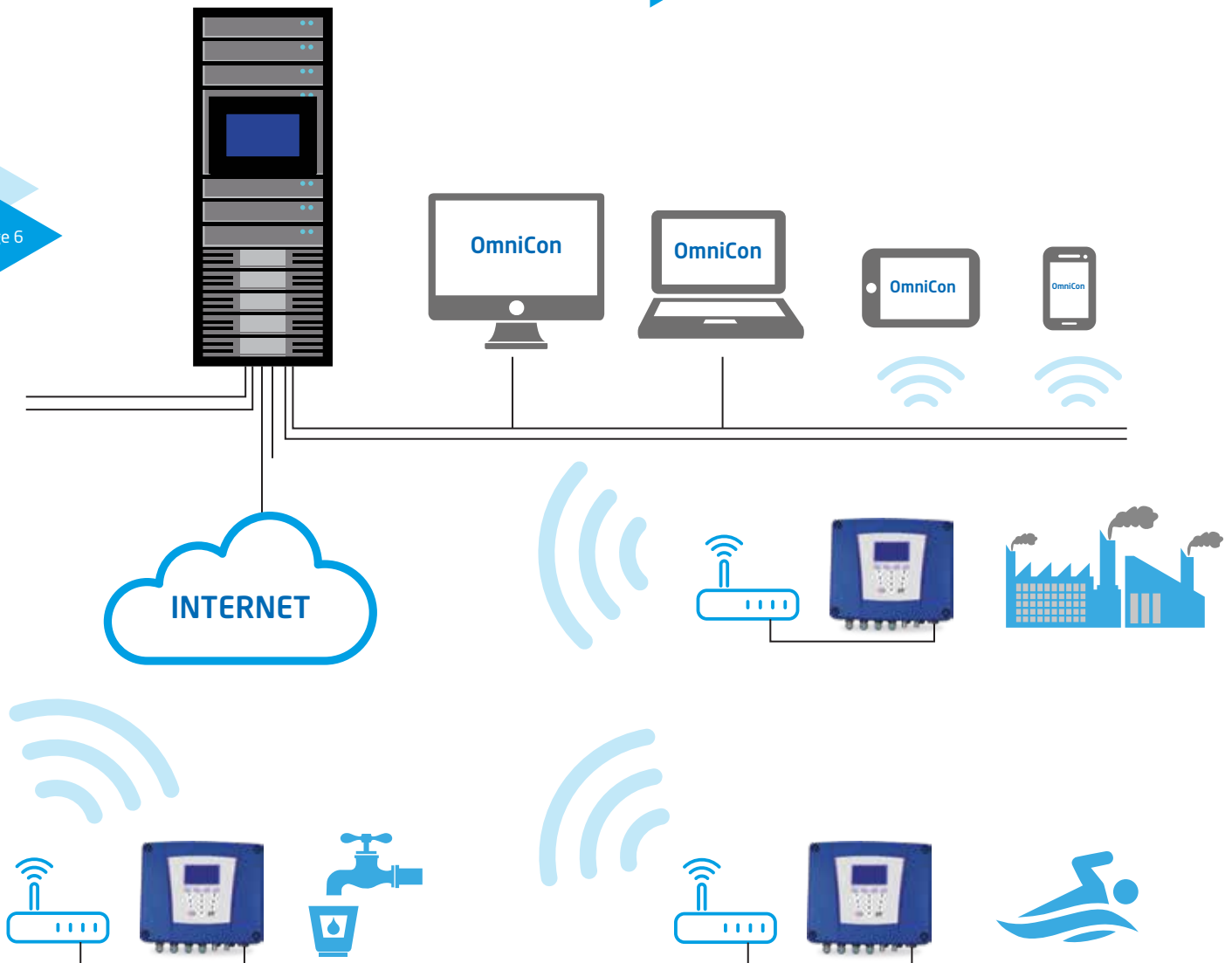
Lower cabling cost and safe data communication thanks to MODBUS RTU and MODBUS TCP Communication Protocol

Single center monitoring and control for multiple users and multiple sites.

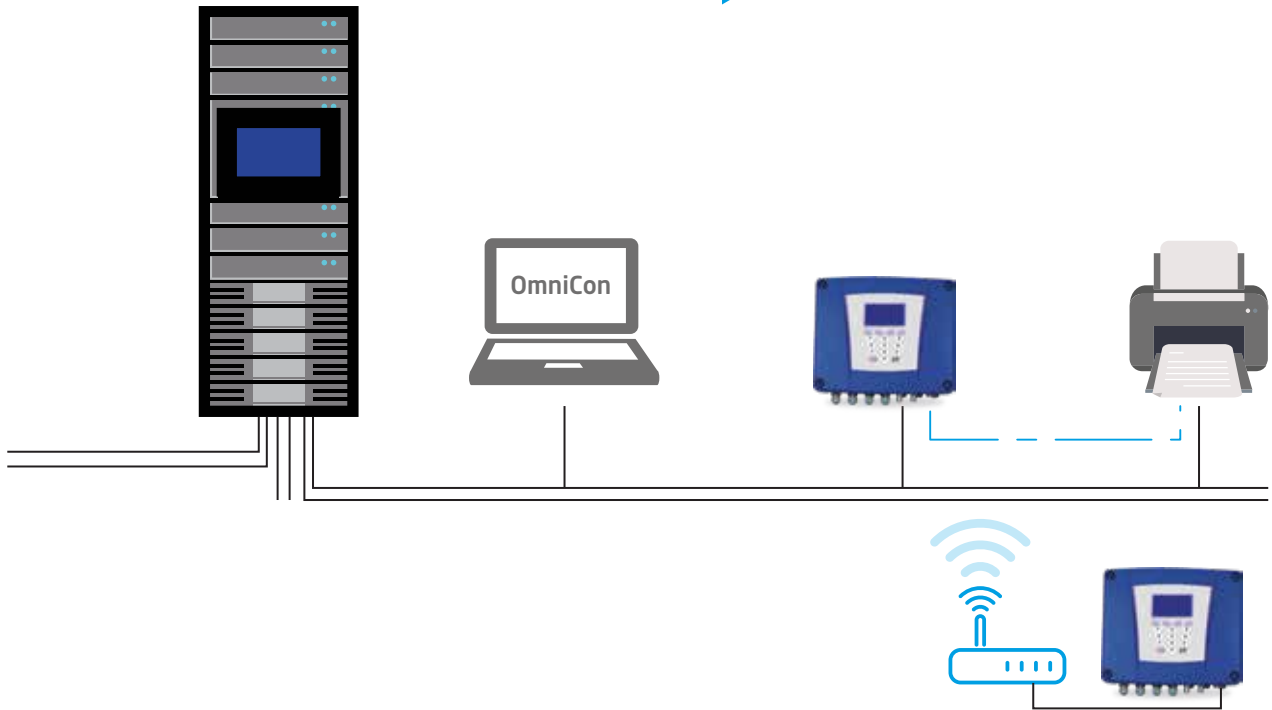
Different various areas can be added to databus upon request.

## ▶ Sample Applications

### ▶ Application 1



▶ **Application 2**



▶ **Application 3**





2

## PoolSaver Tetra

### Features

- Digital pH (0,00 - 14,00) and ORP (0 - 1600mV) measurement and control device
- Two relay outputs
- Completely digital adjustment and automatic calibration by using buffer solutions thus eliminates the needs to use screwdriver or any other tools
- Thanks to proportional control, it is an ideal solution for every size of swimming pool
- High resistance with IP 65 plastic body to corrosive chemicals
- Two liquid level control input.
- User password.

### Technical Data

■ Power supply  
220VAC, 50 Hz

■ pH  
0.00 - 14.00 pH Measurement Range  
Resolution: 0.01pH

■ ORP  
0000 - 1600mV Measurement Range  
Resolution: 1mV

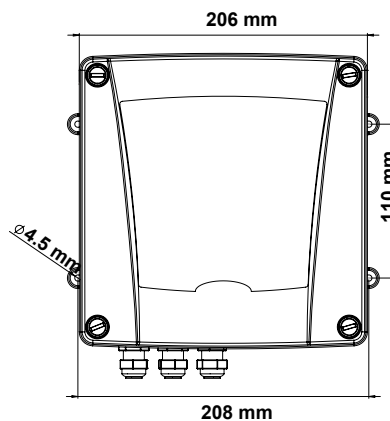
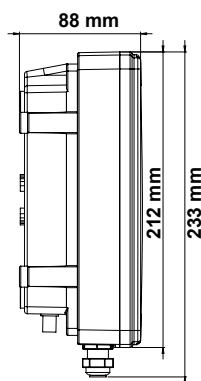
#### Inputs

2x Liquid Level Sensor, 1x Flow Sensor (NO-NC)

#### Outputs

2x 2,5A(Max 5A) 220VAC relay outputs  
(Reduce Control, Boost Control, Proportional Reduce Control, Proportional Boost Control)

Stock Code	Model	Description	Package Sizes/cm W-L-H	Packed Weight/Kg
20110000000000	POOLSAVER TETRA	PH& ORP MEASUREMENT AND CONTROLLING DEVICE	27 x 30 x 13	1,58







3

## Aquameter

### Features

- Digital pH (0,00 – 14,00) , ORP (0 – 1000mV) , conductivity ( 0,01 – 20,00 mS ) measurement and control device.
- Completely digital adjustment and automatic calibration by using buffer solutions thus eliminates the needs to use screwdriver or any other tools.
- Proportional control.
- High resistance with IP 65 plastic body to corrosive chemicals.
- Analog control outputs (0-10mA ,0-20mA, 4-20mA, 0-5V, 0-10V 2-10V )
- Up-down controlling buttons, user password , LCD screen with backlight.
- Automatic temperature compensation in pH and conductivity measurements.
- Programmable alarm output.

### Technical Data

#### ■ Power supply

220VAC 50 Hz, 5VA  
12-28VDC (For DC models), 5VA

#### ■ pH

Measurement Range: 0.00 - 14.00pH  
Resolution: 0.01pH  
Temperature Compensation: NTC - Pt100

#### ■ ORP

Measurement Range : 0000 - 1250mV  
Resolution: 1mV

#### ■ Conductivity

Measurement Range: 0,01 – 20,00mS  
Resolution: 0,01 mS  
Temperature Compensation: NTC - Pt100

#### ■ Temperature

0 – 50°C NTC, -25 – +125° Pt100 , 0,1 °C

#### ■ Digital Inputs

2x Liquid Level Sensor (NO-NC),  
1x Liquid Level Sensor, Flow Sensor(NO-NC),  
1x Signal Input (0Hz – 1KHz)

#### ■ Outputs

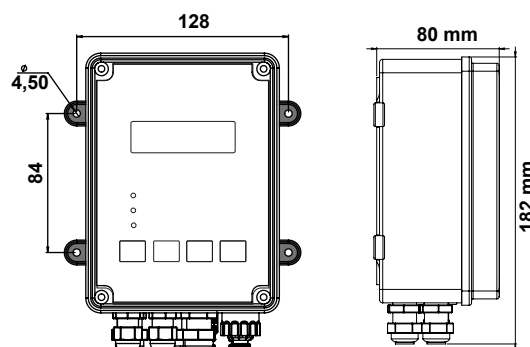
1x Relay Control  
1x Relay Alarm/ Control

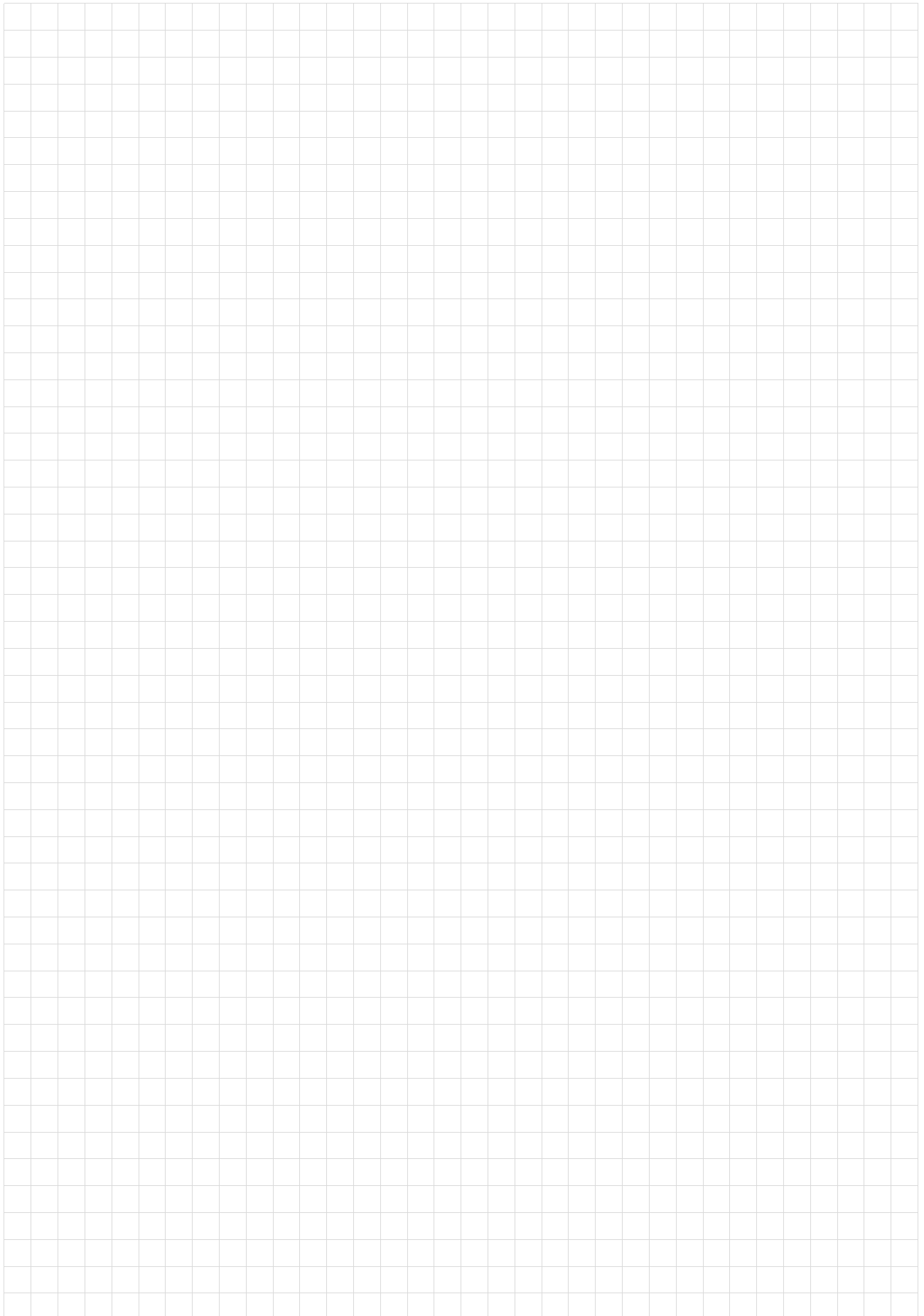
1x Analog Output

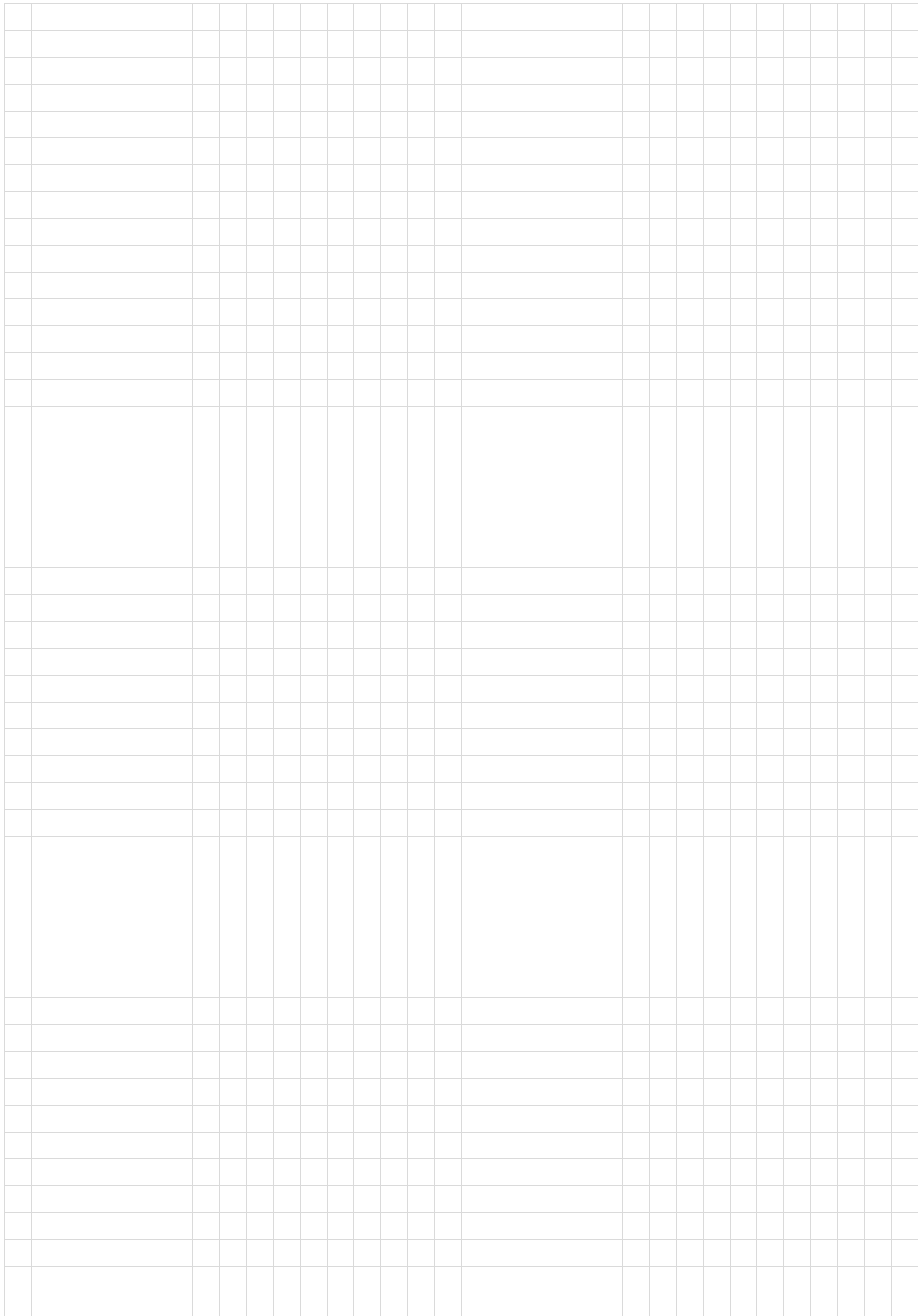
} NO; 220VAC 5A,  
NC; 250VAC 2A  
NO; 28VDC 5A,  
NC; 28VDC 1A  
0-5V, 0-10V, 1-5V,  
0-10mA, 0-20mA, 4-20mA

Page 9

Stock Code	Model	Description	Package Sizes/cm W-L-H	Packed Weight/Kg
20120000000000	AQUAMETER PH	PH MEASUREMENT AND CONTROLLING DEVICE	21 x 24 x 18	1,17
20122000000000	AQUAMETER CON	CONDUCTIVITY MEASUREMENT AND CONTROLLING DEVICE		
20121000000000	AQUAMETER ORP	REDOX MEASUREMENT AND CONTROLLING DEVICE		







# A<sup>®</sup>nTech

"Water Control Technologies"

[www.enelsa.com](http://www.enelsa.com)



**ATS WATER  
TECHNOLOGY**

**Headquarters:** 54/18 Bui Quang La, Ward 12, Go Vap District, HCMC, Viet Nam  
**Office:** 12 DHT10B, Dong Hung Thuan Ward, District 12, HCMC, Viet Nam  
**Phone:** (028) 6258 5368 - (028) 6291 9568  
**Email:** [info@atswatertechnology.com](mailto:info@atswatertechnology.com)  
**Website:** [www.atswatertechnology.com](http://www.atswatertechnology.com)



**MERKEZ FABRİKA :**

Antalya Org. San. Böl. 1. Kısım  
6. Cad. No:16 **ANTALYA**  
**Tel :** +90 (242) 258 12 84  
**Fax :** +90 (242) 258 12 85

**SERVİS / ANTALYA MERKEZ**

Güvenlik Mah. Gazi Bulvarı 100 A  
Mehmet Demirkaya Apt. **ANTALYA**  
**Tel :** +90 (242) 221 64 31  
**Fax :** +90 (242) 221 64 32

**MARMARA BÖLGE :**

Oruçreis Mah. Tekstilkent Sitesi  
B6 Blok No: 16 **ESENLER/İSTANBUL**  
**Tel :** +90 (212) 438 54 12  
**Fax :** +90 (212) 438 54 13