

SIDE STREAM FILTRATION SYSTEM ADES ASF Series

Model ADES-ASF-035

GENERAL INFORMATION

ADES ASF is the side-stream filtration product line for cooling tower which uses the SAF-X, the next generation of Amiad SAF series.

The SAF-X automatic filtration system offers a large filtration area and suction scanner cleaning technology driven by an electrical drive-unit. The self-cleaning filter provides improved usability, easier maintenance and higher installation flexibility along with Amiad's proven suction-scanning cleaning technology.

ADES-ASF-035 system includes:

- ✓ Feed pump with IE3, IP55 motor.
- ✓ Automatic self-cleaning filter (SAF-X - Amiad)
- ✓ SGP piping.
- ✓ Liquid filled pressure gauge and pressure switch for pump protection.
- ✓ Automatic control with dP sensor and pressure sustaining valve.
- ✓ Manual valves and accessories.
- ✓ SS400 with 3 layers epoxy coated steel skid frame.
- ✓ Connection with JIS10K Flange.
- ✓ 380 - 415V / 3Phase / 50Hz power supply.

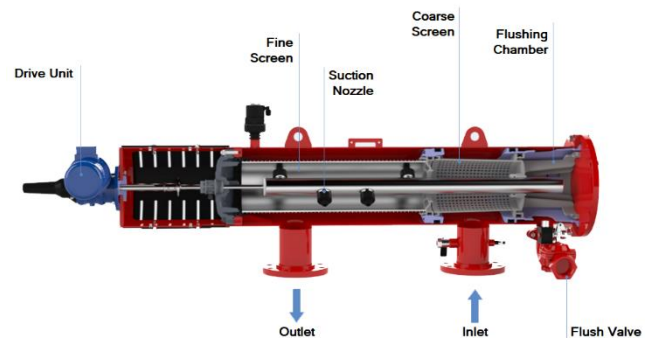
System Features/ Benefits

- Large filtration area.
- Highly efficient self-cleaning screen filter.
- Simple maintenance: Hinged lid for convenient opening and easy access.
- Installation flexibility: Instrumentation can be installed on either side of the filter.
- Swivel flushing valve: Enables positioning according to installation.

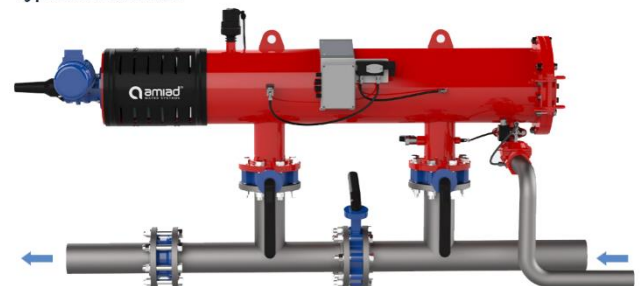


*The above photo of ADES-ASF-035 is for illustration purpose only.

Cross Section



Typical Installation



Pump Specifications

Pump type	Close-coupled end suction
Flowrate (m ³ /h)	35
Head (mH)	40
Temperature (Clean water)	Standard 85°C
Flange pressure rating	PN16
Casing & Impeller material	Cast iron
Shaft material	Stainless Steel ASTM 420

Automatic self-cleaning filter Specifications

Model	SAF-X 1500
Filtration Degrees (µm)	100
Filtration type	Screen filter
Backwash data	
Flushing time (Sec.)	20
Reject water volume per flush cycle (Liter)	39
Min. flushing flowrate (m ³ /h)	7

Feed Water Quality¹

Parameter	Value
Turbidity (NTU)	≤30
Total Hardness (mgCaCO ₃ /L)	≤300
TSS (mg/L)	≤30
BOD (mg/L)	≤20

¹Please contact us if the feed water source is worse than the above standard.

System and Operating Configuration

Model	ADES-ASF-035
Filtration area (cm ²)	1500
Dimension ² L x W x H (mm)	1860 x 500 x 1800
Approx. Weight (kg)	350
Net Production Flow (m ³ /h)	35

²The dimensions of the system may vary and subject to change without prior notice.

Mechanical Connections (Flange)²

Feed Port	DN100 (4")
Permeate Port	DN80 (3")
Drain Port	DN50 (2")



ATS WATER TECHNOLOGY CO., LTD.

Headquarters: 54/18 Bui Quang La, Ward 12, Go Vap District, HCMC, Viet Nam
Office: 12 DHT10B, Dong Hung Thuan Ward, District 12, HCMC, Vietnam

[T] (028) 6258 5368 - (028) 6291 9568

[E] info@atswatertechnology.com

[W] www.atswatertechnology.com

