



Features

High Efficient

- 3 level topology, maximum efficiency up to 99.00%
- 3/4 MPPTs design

Safe and Reliable

- Outdoor IP65 design, no derating below 3,000m altitude
- All industrial grade electronic device, ensure 25 years full life circle running

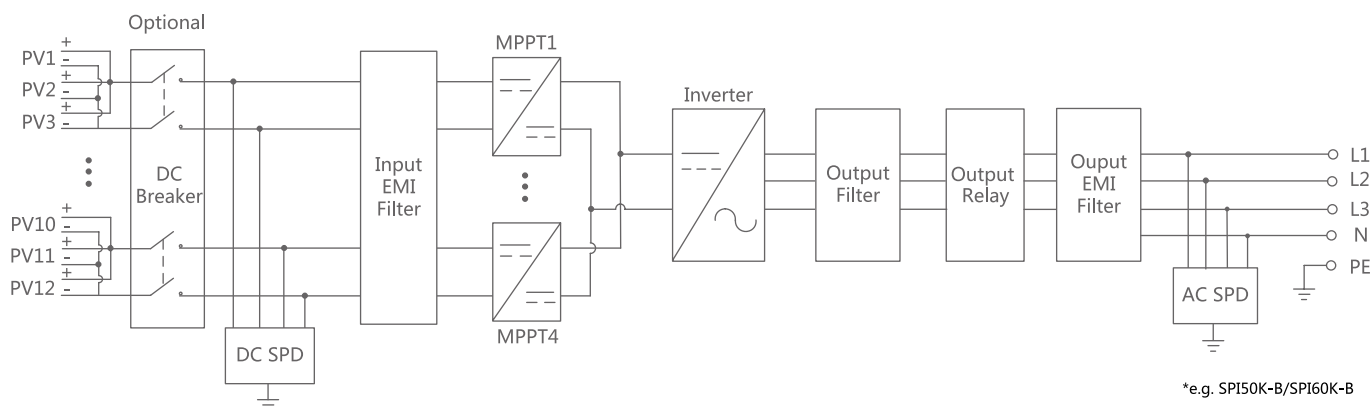
Intelligent Management

- Intelligent fault wave recording, quick failure analysis I&V
- Intelligent diagnosis, accurate identification and positioning of abnormal PV panels
- Intelligent online upgrade function, easy upgrade and maintain
- Support RS485, Wifi, GPRS communication

Grid Friendly

- Grid-connected current harmonics <3%, green adapts to grid
- Ultra wide grid voltage range, with LVRT function

Function Diagram



Three-phase On-grid String Inverter

SPI30K-B/SPI33K-B/SPI36K-B/SPI40K-B/SPI50K-B/SPI60K-B

Technical Specification

Items	SPI30K-B	SPI33K-B	SPI36K-B	SPI40K-B	SPI50K-B	SPI60K-B
DC Input						
Max. PV Input Voltage	1100Vdc					
Rated PV voltage	600Vdc	600Vdc	600Vdc	600Vdc	600Vdc	600Vdc
Max. PV input current	60A(2x30 A)	67A(2x33.5 A)	67A(2x33.5 A)	90A(3x30 A)	120A(4x30A)	120A(4x30A)
No. of MPPTs	2	2	2	3	4	4
No.of PV strings per MPPT	3/3	3/3	3/3	3/3/3	3/3/3/3	3/3/3/3
MPPT voltage range	300Vdc~1000Vdc					
Starting voltage	300Vdc					
AC Output						
Rated AC output power	30kW	33kW	36kW	40kW	50kW	60kW
Max. output power	30kW	36.3kW	40kW	44kW	55kW	66kW
Rated AC output voltage	380/400/415Vac					
Rated output current	45.6A	50.1A	54.7A	60.8A	75.9A	91.2A
Max. output current	47.6 A	52 A	57.7 A	63.5 A	79.4 A	95.3 A
Rated grid frequency	50Hz/60Hz					
Grid frequency range	45~55Hz/55~65Hz					
Power factor	>0.99 (full load)					
Adjustable power factor	0.8 (leading)-0.8 (lagging)					
THDi	<3% (rated power)					
Efficiency						
Max. efficiency	98.50%	98.52%	98.70%	98.80%	99%	99%
European efficiency	98.30%	98.30%	98.30%	98.30%	98.40%	98.40%
Protection						
Anti-islanding	Yes					
DC reversed connection	Yes					
AC short circuit protection	Yes					
Temperature protection	Yes					
Surge protection	Yes					
PV fault detect	Yes					
DC switch	Optional					
General						
Dimensions (W×H×D)	600×860×294mm					
Weight	68kg					
IP grade	IP65					
Noise level	<65dB					
Self-consumption at night	<1W					
Cooling type	Intelligent forced air cooling					
Altitude	4000m (>3000m derating)					
Operating temperature	-25°C~+60°C					
Relative humidity	0~95% (Non-condensation)					
Display	LCD+LED					
Communication	RS485/WiFi/GPRS					
DC terminal	MC4 Terminal					
AC terminal	OT Terminal					
Installation method	Wall-mounted					
Standard	EN62109-1, EN62109-2, NB/T32004, AS4777.2, EN 61000-6-2, EN 61000-6-4, DIN VDE0126 UTE C15-712-1, VFR2014, ERDF-NOI-RES_13E, IEC61727, IEC62116					

*Specifications are subject to change without prior notice.

Kehua Hengsheng Co., Ltd.

Add: No. 457, Malong Road, Torch High-Tech Industrial Zone, Xiamen Fujian China

Tel: +86-592-5160516 Fax: +86-592-5162166 www.kehua.com



Version No.: 20190424

@2019 Kehua Hengsheng Co., Ltd. All rights reserved.