



## Features

### High Efficiency

- High-efficiency inverter topology ensures annual power generation
- Advanced control algorithms and high adaptation ability to the grid, improving the stability of power generation system

### Safe and Reliable

- IP65 for outdoor application
- Integrated AC/DC full lightning protection
- Aluminum alloy die-casting integrated chassis, ensure 25 years full life circle running

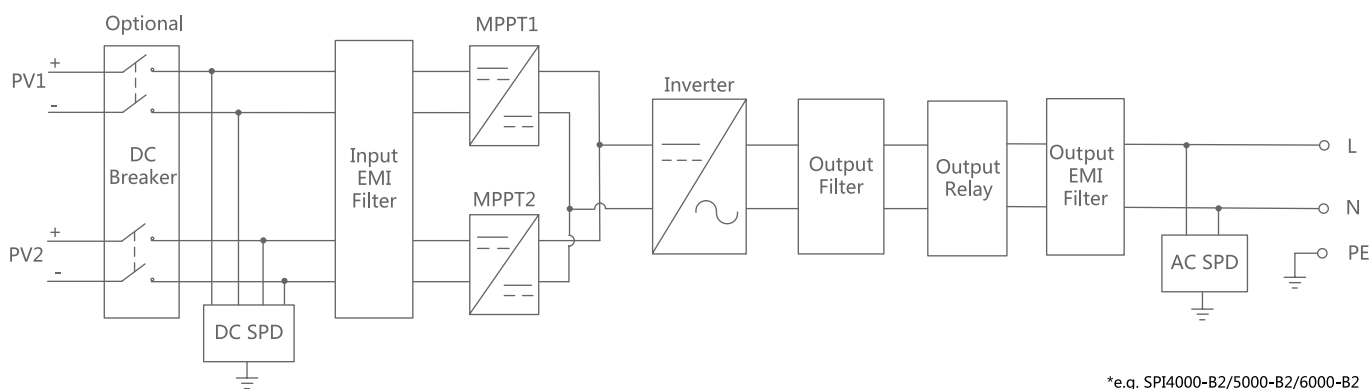
### Intelligent Management

- Intelligent cloud platform monitoring, realizing one- key APP real-time monitoring
- Support RS485, GPRS, WIFI and other communication methods

### Green Saving

- Small size, easy to install and use
- Natural cooling, ensuring low environmental noise
- Super-wide operating temperature range, adapt to extremely cold, high temperature areas

## Function Diagram



\*e.g. SPI4000-B2/5000-B2/6000-B2

# Single-phase On-grid String Inverter

SPI3000-B2/SPI3600-B2/SPI4000-B2/SPI4600-B2/SPI5000-B2/SPI6000-B2

## Technical Specification

Items	SPI3000-B2	SPI3600-B2	SPI4000-B2	SPI4600-B2	SPI5000-B2	SPI6000-B2
<b>DC Input</b>						
Max. PV input voltage	600Vdc					
Rated PV voltage	360Vdc					
Max. PV input current	22A (2×11A)					
No. of MPPTs	2					
No. of PV strings per MPPT	1/1					
MPPT voltage range	100Vdc ~500Vdc					
Starting voltage	120Vdc					
<b>AC Output</b>						
Rated AC output power	3.0kW	3.6kW	4.0kW	4.6kW	5.0kW	6.0kW
Max. output power	3.3kW	3.96kW	4.4kW	5.06kW	5.5kW	6.0kW
Rated AC output voltage	220V/230Vac					
Rated output current	13.6A	16.4A	18.2A	20.9A	22.7A	27.3A
Max. output current	15.0 A	18.0 A	20.0 A	23.0 A	25.0 A	27.3 A
Rated grid frequency	230Vac					
Grid frequency range	45~55Hz/55~65Hz					
Power factor	>0.99 full load					
Adjustable power factor	0.8 (leading) ~ 0.8 (lagging)					
THDi	<3% (nominal power)					
<b>Efficiency</b>						
Max. efficiency	98.10%	98.30%				
European efficiency	97.70%	97.90%				
<b>Protection</b>						
Anti-islanding	Yes					
DC Reversed Connection	Yes					
AC short circuit protection	Yes					
Temperature protection	Yes					
Surge protection	Yes					
PV fault detect	Yes					
DC switch	optional					
<b>General</b>						
Dimensions (W×H×D)	360×420×125 mm					
Weight	12.6kg					
IP grade	IP65					
Noise level	≤25 dB					
Night power consumption	<1W					
Cooling type	Natural cooling					
Altitude	4000m (>2000m derating )					
Operating temperature	-40°C~60°C (>45°C derating)					
Relative humidity	0~95%					
Display	LCD display + LED indicator					
Communication	RS485/WiFi (optional)/GPRS (optional)/DRM(Australia)					
DC terminal	MC4 Terminal					
AC terminal	Plug and play connector					
Installation method	Wall-mounted					
Standard	EN62109-1, EN62109-2 NB/T32004, AS3100, AS4777, EN 61000-6-2, EN 61000-6-3 , IEC 62116:2014 ,IEC 61727:2004 ,IEC 60068-2-1:2007 ,IEC 60068-2-2:2007 ,IEC 60068-2-14:2009 ,IEC 60068-2-30:2005					

\*Specifications are subject to change without prior notice.

Kehua Hengsheng Co., Ltd.

Add: No. 457, Malong Road, Torch High-Tech Industrial Zone, Xiamen Fujian China

Tel: +86-592-5160516 Fax: +86-592-5162166 www.kehua.com



Version No.: 20190423

©2019 Kehua Hengsheng Co., Ltd. All rights reserved.