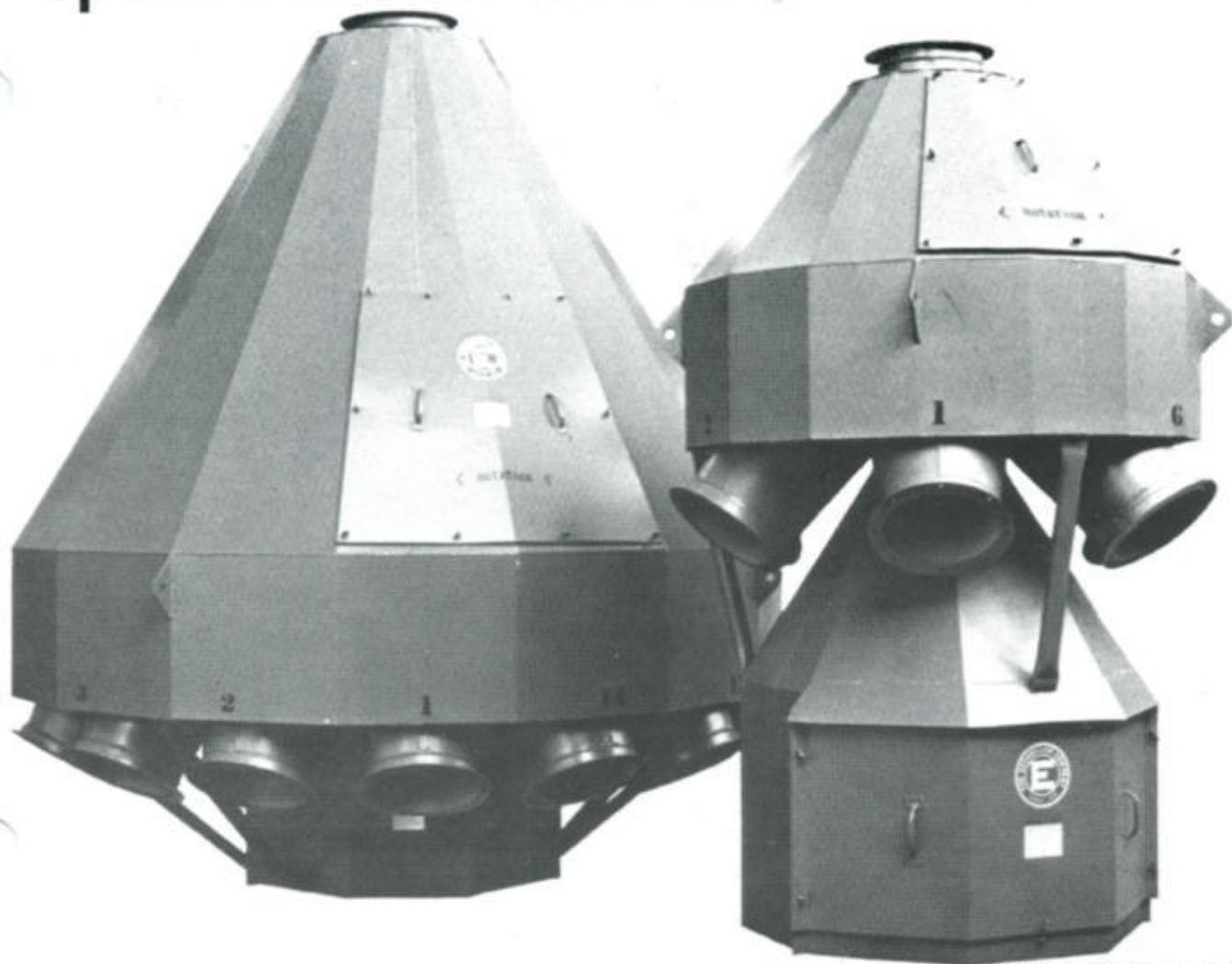




ESSMUELLER

**turn-head distributors
model "ST"
spout sizes—6" thru 16"**

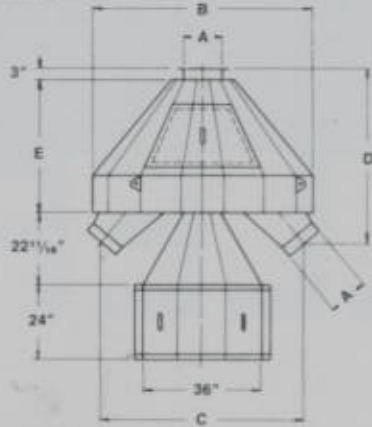


*another premium product of
THE ESSMUELLER CO.*

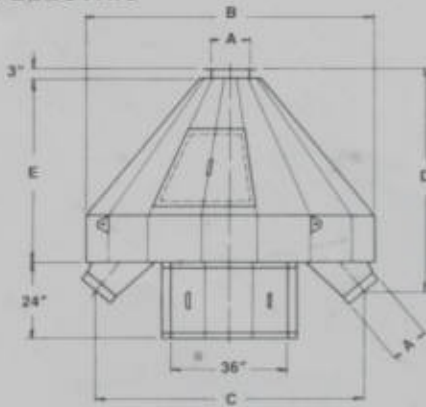


ESSMUELLER single turn-head distributor dimensions

TYPE I ELECTRIC



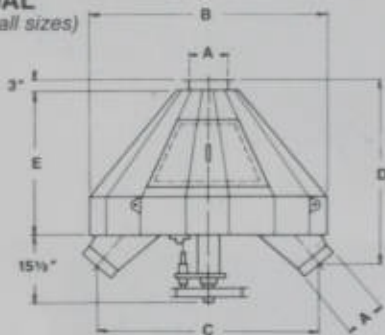
TYPE II ELECTRIC



ELECTRIC: Push-button control permits operation from any area in plant (see "electric remote control panel," back cover). Choice of 45, 50 or 60-degree flow designs with four to 20 outlets—each available in 6, 8, 10, 12, 14 and 16-inch outlet sizes. Positive switching prevents spilling of material into wrong outlet. Material cannot accumulate in distributor. Panel assures quick access to drive chamber. Same heavy-duty, weather-tight construction as manual units.

MANUAL

(available in all sizes)



MANUAL: Control of inner rotating spout from any distance is provided by rust-proof cable and two actuators (see "lower control stand," back cover). Choice of 45, 50 or 60-degree flow designs with four to 20 discharge outlets—each available in 6, 8, 10, 12, 14 and 16-inch outlet sizes. Heavy-duty, weather-tight construction protects against contamination from outside.



| OUTLETS | A | B | C | D | E | TYPE |
|---------|----|--------|----------|--------|---|------|
| 6 | 49 | 47 1/2 | 45 13/16 | 35 | I | |
| 7 | 49 | 47 1/2 | 45 13/16 | 35 | I | |
| 8 | 49 | 47 1/2 | 45 13/16 | 35 | I | |
| 9 | 49 | 47 1/2 | 45 13/16 | 35 | I | |
| 10 | 49 | 51 | 47 7/8 | 37 1/8 | I | |
| 11 | 56 | 54 1/2 | 50 | 39 1/8 | I | |
| 12 | 56 | 58 1/2 | 52 3/8 | 41 1/8 | I | |
| 13 | 62 | 60 1/2 | 53 9/16 | 42 3/8 | I | |
| 14 | 66 | 64 1/2 | 56 | 45 1/4 | I | |
| 15 | 66 | 68 | 58 | 47 3/8 | I | |
| 16 | 72 | 70 1/2 | 59 1/2 | 48 3/8 | I | |
| 17 | 72 | 74 1/2 | 62 | 51 1/4 | I | |
| 18 | 79 | 77 1/2 | 63 11/16 | 53 | I | |
| 19 | 79 | 81 1/2 | 66 | 55 3/8 | I | |
| 20 | 85 | 85 1/2 | 68 7/16 | 57 3/4 | I | |

| OUTLETS | A | B | C | D | E | TYPE |
|---------|-----|--------|----------|--------|----|------|
| 6 | 49 | 47 1/2 | 45 13/16 | 35 | I | |
| 7 | 49 | 47 1/2 | 45 13/16 | 35 | I | |
| 8 | 49 | 49 1/2 | 47 | 36 1/4 | I | |
| 9 | 56 | 54 1/2 | 50 | 39 1/8 | I | |
| 10 | 62 | 60 1/2 | 53 9/16 | 42 3/8 | I | |
| 11 | 62 | 60 1/2 | 53 9/16 | 42 3/8 | I | |
| 12 | 66 | 64 1/2 | 55 15/16 | 45 1/4 | I | |
| 13 | 72 | 70 1/2 | 59 1/2 | 48 3/8 | I | |
| 14 | 79 | 77 1/2 | 63 11/16 | 53 | I | |
| 15 | 79 | 77 1/2 | 63 11/16 | 53 | I | |
| 16 | 85 | 83 | 67 | 56 1/4 | I | |
| 17 | 85 | 85 1/2 | 68 7/16 | 57 3/4 | I | |
| 18 | 92 | 90 1/2 | 71 1/16 | 60 3/4 | I | |
| 19 | 96 | 95 1/2 | 74 7/16 | 63 3/4 | II | |
| 20 | 101 | 98 1/2 | 76 3/16 | 65 1/2 | II | |

| OUTLETS | A | B | C | D | E | TYPE |
|---------|-----|---------|----------|--------|----|------|
| 6 | 49 | 47 1/2 | 45 13/16 | 35 | I | |
| 7 | 56 | 54 1/2 | 50 | 39 1/4 | I | |
| 8 | 56 | 54 1/2 | 50 | 39 1/4 | I | |
| 9 | 62 | 60 1/2 | 53 9/16 | 42 3/8 | I | |
| 10 | 66 | 64 1/2 | 55 15/16 | 45 1/4 | I | |
| 11 | 72 | 70 1/2 | 59 1/2 | 48 3/8 | I | |
| 12 | 79 | 77 1/2 | 63 11/16 | 53 | I | |
| 13 | 79 | 77 1/2 | 63 11/16 | 53 | I | |
| 14 | 85 | 83 | 67 | 56 1/4 | I | |
| 15 | 92 | 87 1/2 | 69 3/8 | 58 3/8 | I | |
| 16 | 96 | 92 | 72 3/16 | 61 3/8 | II | |
| 17 | 101 | 97 | 75 5/16 | 64 3/8 | II | |
| 18 | 107 | 102 1/2 | 78 3/4 | 67 3/8 | II | |
| 19 | 113 | 111 1/2 | 83 15/16 | 73 1/4 | II | |
| 20 | 113 | 111 1/2 | 83 15/16 | 73 1/4 | II | |

| OUTLETS | A | B | C | D | E | TYPE |
|---------|-----|---------|---------|--------|----|------|
| 6 | 56 | 51 1/2 | 48 3/16 | 37 1/2 | I | |
| 7 | 62 | 55 1/2 | 50 9/16 | 39 3/8 | I | |
| 8 | 66 | 59 1/2 | 53 | 42 1/4 | I | |
| 9 | 72 | 65 1/2 | 56 3/16 | 45 3/8 | I | |
| 10 | 79 | 70 1/2 | 59 1/2 | 48 3/4 | I | |
| 11 | 79 | 75 1/2 | 62 1/2 | 51 3/4 | I | |
| 12 | 85 | 80 1/2 | 65 1/2 | 54 3/4 | I | |
| 13 | 92 | 87 1/2 | 69 3/8 | 58 3/8 | I | |
| 14 | 96 | 92 | 72 3/16 | 61 3/8 | II | |
| 15 | 101 | 97 | 75 5/16 | 64 3/8 | II | |
| 16 | 107 | 102 1/2 | 78 3/16 | 67 3/8 | II | |
| 17 | 113 | 108 1/2 | 82 3/16 | 71 1/2 | II | |
| 18 | 120 | 113 1/2 | 85 1/8 | 74 3/8 | II | |
| 19 | 126 | 119 1/2 | 88 3/4 | 78 | II | |
| 20 | 133 | 124 | 91 3/8 | 80 3/8 | II | |

| OUTLETS | A | B | C | D | E | TYPE |
|---------|-----|---------|----------|--------|----|------|
| 6 | 62 | 58 3/8 | 52 1/16 | 39 3/8 | I | |
| 7 | 66 | 62 3/8 | 54 3/8 | 42 1/4 | I | |
| 8 | 72 | 68 3/8 | 58 | 45 3/8 | I | |
| 9 | 79 | 73 3/8 | 60 15/16 | 48 3/4 | I | |
| 10 | 85 | 79 3/8 | 64 3/16 | 52 3/8 | I | |
| 11 | 92 | 85 3/8 | 68 7/16 | 56 1/4 | I | |
| 12 | 96 | 92 3/8 | 72 1/4 | 60 3/8 | I | |
| 13 | 101 | 97 3/8 | 75 1/4 | 63 3/8 | I | |
| 14 | 107 | 103 3/8 | 78 9/16 | 66 3/8 | I | |
| 15 | 113 | 109 3/8 | 82 3/16 | 70 1/4 | II | |
| 16 | 120 | 113 3/8 | 84 3/16 | 72 3/8 | II | |
| 17 | 126 | 122 3/8 | 90 1/8 | 79 | II | |
| 18 | 133 | 126 3/8 | 92 3/16 | 80 3/8 | II | |
| 19 | 144 | 139 3/8 | 100 1/4 | 88 | II | |
| 20 | 144 | 139 3/8 | 100 1/4 | 88 | II | |

| OUTLETS | A | B | C | D | E | TYPE |
|---------|-----|---------|----------|--------|----|------|
| 6 | 66 | 60 3/8 | 53 1/4 | 41 | I | |
| 7 | 72 | 66 3/8 | 56 13/16 | 44 3/8 | I | |
| 8 | 79 | 73 3/8 | 60 15/16 | 48 3/8 | I | |
| 9 | 85 | 79 3/8 | 64 3/16 | 52 3/8 | I | |
| 10 | 92 | 85 3/8 | 68 7/16 | 56 1/4 | I | |
| 11 | 101 | 94 3/8 | 73 1/2 | 61 1/4 | I | |
| 12 | 107 | 100 3/8 | 77 1/16 | 64 3/8 | I | |
| 13 | 113 | 106 3/8 | 80 3/8 | 68 1/2 | II | |
| 14 | 120 | 113 3/8 | 84 3/16 | 72 3/8 | II | |
| 15 | 126 | 119 3/8 | 88 3/8 | 76 1/8 | II | |
| 16 | 133 | 126 3/8 | 92 3/16 | 80 3/8 | II | |
| 17 | 144 | 138 3/8 | 92 11/16 | 87 1/2 | II | |
| 18 | 144 | 138 3/8 | 99 1/16 | 87 1/2 | II | |
| 19 | 159 | 151 3/8 | 107 3/4 | 95 3/8 | II | |
| 20 | 159 | 151 3/8 | 107 3/4 | 95 3/8 | II | |

For explosion-proof and totally-enclosed features, consult The Essmuller Company.

50°

| OUTLETS | A | B | C | D | E | TYPE |
|---------|----|---------------------------------|---------------------------------|---------------------------------|---|------|
| 6 | 49 | 43 ³ / ₁₆ | 44 ¹ / ₁₆ | 35 | I | |
| 7 | 49 | 43 ³ / ₁₆ | 44 ¹ / ₁₆ | 35 | I | |
| 8 | 49 | 43 ³ / ₁₆ | 44 ¹ / ₁₆ | 35 | I | |
| 9 | 49 | 43 ³ / ₁₆ | 44 ¹ / ₁₆ | 35 | I | |
| 10 | 49 | 47 ¹ / ₁₆ | 47 | 37 ¹ / ₁₆ | I | |
| 11 | 56 | 50 ⁵ / ₁₆ | 49 ¹ / ₁₆ | 39 ¹ / ₁₆ | I | |
| 12 | 56 | 54 ⁵ / ₁₆ | 51 ¹ / ₂ | 41 ¹ / ₁₆ | I | |
| 13 | 62 | 56 ⁵ / ₁₆ | 52 ¹ / ₁₆ | 42 ⁷ / ₁₆ | I | |
| 14 | 66 | 60 ⁵ / ₁₆ | 55 ¹ / ₁₆ | 45 ¹ / ₁₆ | I | |
| 15 | 66 | 64 ¹ / ₁₆ | 57 ¹ / ₁₆ | 47 ³ / ₁₆ | I | |
| 16 | 72 | 66 ³ / ₁₆ | 58 ³ / ₁₆ | 48 ³ / ₁₆ | I | |
| 17 | 72 | 70 ³ / ₁₆ | 61 ¹ / ₁₆ | 51 ¹ / ₁₆ | I | |
| 18 | 79 | 73 ³ / ₁₆ | 62 ³ / ₁₆ | 53 | I | |
| 19 | 79 | 77 ³ / ₁₆ | 65 ³ / ₁₆ | 55 ³ / ₁₆ | I | |
| 20 | 85 | 81 ³ / ₁₆ | 67 ³ / ₁₆ | 57 ³ / ₁₆ | I | |

| OUTLETS | A | B | C | D | E | TYPE |
|---------|-----|---------------------------------|---------------------------------|---------------------------------|----|------|
| 6 | 49 | 44 ¹ / ₁₆ | 45 ³ / ₁₆ | 35 | I | |
| 7 | 49 | 44 ¹ / ₁₆ | 45 ³ / ₁₆ | 35 | I | |
| 8 | 49 | 46 ¹ / ₁₆ | 46 ¹ / ₁₆ | 36 ¹ / ₁₆ | I | |
| 9 | 56 | 51 ¹ / ₁₆ | 49 ¹ / ₁₆ | 39 ¹ / ₁₆ | I | |
| 10 | 62 | 57 ¹ / ₁₆ | 53 ¹ / ₂ | 42 ⁷ / ₁₆ | I | |
| 11 | 62 | 57 ¹ / ₁₆ | 53 ¹ / ₂ | 42 ⁷ / ₁₆ | I | |
| 12 | 66 | 61 ¹ / ₁₆ | 55 ¹ / ₁₆ | 45 ¹ / ₁₆ | I | |
| 13 | 72 | 67 ¹ / ₁₆ | 59 ¹ / ₁₆ | 48 ¹ / ₁₆ | I | |
| 14 | 79 | 74 ¹ / ₁₆ | 63 ¹ / ₁₆ | 53 | I | |
| 15 | 79 | 74 ¹ / ₁₆ | 63 ¹ / ₁₆ | 53 | I | |
| 16 | 85 | 80 ¹ / ₁₆ | 66 ¹ / ₁₆ | 56 ¹ / ₁₆ | I | |
| 17 | 85 | 82 ¹ / ₁₆ | 68 ¹ / ₁₆ | 57 ¹ / ₁₆ | I | |
| 18 | 92 | 87 ¹ / ₁₆ | 71 ¹ / ₁₆ | 60 ¹ / ₁₆ | I | |
| 19 | 96 | 92 ¹ / ₁₆ | 74 ¹ / ₁₆ | 63 ¹ / ₁₆ | II | |
| 20 | 101 | 95 ¹ / ₁₆ | 76 ¹ / ₁₆ | 65 ¹ / ₂ | II | |

| OUTLETS | A | B | C | D | E | TYPE |
|---------|-----|----------------------------------|---------------------------------|---------------------------------|----|------|
| 6 | 49 | 44 ¹ / ₁₆ | 45 ³ / ₁₆ | 35 | I | |
| 7 | 56 | 51 ¹ / ₁₆ | 49 ¹ / ₁₆ | 39 ¹ / ₁₆ | I | |
| 8 | 56 | 51 ¹ / ₁₆ | 49 ¹ / ₁₆ | 39 ¹ / ₁₆ | I | |
| 9 | 62 | 57 ¹ / ₁₆ | 53 ¹ / ₂ | 42 ⁷ / ₁₆ | I | |
| 10 | 66 | 61 ¹ / ₁₆ | 55 ¹ / ₁₆ | 45 ¹ / ₁₆ | I | |
| 11 | 72 | 67 ¹ / ₁₆ | 59 ¹ / ₁₆ | 48 ¹ / ₁₆ | I | |
| 12 | 79 | 74 ¹ / ₁₆ | 63 ¹ / ₁₆ | 53 | I | |
| 13 | 79 | 74 ¹ / ₁₆ | 63 ¹ / ₁₆ | 53 | I | |
| 14 | 85 | 80 ¹ / ₁₆ | 66 ¹ / ₁₆ | 56 ¹ / ₁₆ | I | |
| 15 | 92 | 84 ¹ / ₁₆ | 69 ¹ / ₁₆ | 58 ¹ / ₁₆ | I | |
| 16 | 96 | 89 ¹ / ₁₆ | 72 ¹ / ₁₆ | 61 ¹ / ₁₆ | II | |
| 17 | 101 | 94 ¹ / ₁₆ | 75 ¹ / ₁₆ | 64 ¹ / ₁₆ | II | |
| 18 | 107 | 99 ¹ / ₁₆ | 78 ¹ / ₁₆ | 67 ¹ / ₁₆ | II | |
| 19 | 113 | 108 ¹ / ₁₆ | 83 ¹ / ₁₆ | 73 ¹ / ₁₆ | II | |
| 20 | 113 | 108 ¹ / ₁₆ | 83 ¹ / ₁₆ | 73 ¹ / ₁₆ | II | |

| OUTLETS | A | B | C | D | E | TYPE |
|---------|-----|----------------------------------|---------------------------------|---------------------------------|----|------|
| 6 | 56 | 48 ³ / ₁₆ | 48 ³ / ₁₆ | 37 ¹ / ₂ | I | |
| 7 | 62 | 52 ³ / ₁₆ | 50 ¹ / ₂ | 39 ³ / ₁₆ | I | |
| 8 | 66 | 56 ³ / ₁₆ | 52 ³ / ₁₆ | 42 ¹ / ₁₆ | I | |
| 9 | 72 | 62 ³ / ₁₆ | 56 ¹ / ₂ | 45 ³ / ₁₆ | I | |
| 10 | 79 | 67 ³ / ₁₆ | 59 ³ / ₁₆ | 48 ³ / ₁₆ | I | |
| 11 | 79 | 72 ³ / ₁₆ | 62 ³ / ₁₆ | 51 ¹ / ₁₆ | I | |
| 12 | 85 | 77 ³ / ₁₆ | 65 ³ / ₁₆ | 54 ³ / ₁₆ | I | |
| 13 | 92 | 84 ³ / ₁₆ | 69 ³ / ₁₆ | 58 ³ / ₁₆ | I | |
| 14 | 96 | 89 ³ / ₁₆ | 72 ¹ / ₁₆ | 61 ³ / ₁₆ | II | |
| 15 | 101 | 94 ³ / ₁₆ | 75 ¹ / ₁₆ | 64 ³ / ₁₆ | II | |
| 16 | 107 | 99 ³ / ₁₆ | 78 ¹ / ₂ | 67 ³ / ₁₆ | II | |
| 17 | 113 | 105 ³ / ₁₆ | 82 ³ / ₁₆ | 71 ¹ / ₂ | II | |
| 18 | 120 | 110 ³ / ₁₆ | 85 ³ / ₁₆ | 74 ³ / ₁₆ | II | |
| 19 | 126 | 116 ³ / ₁₆ | 88 ³ / ₁₆ | 78 | II | |
| 20 | 133 | 121 ³ / ₁₆ | 91 ³ / ₁₆ | 80 ³ / ₁₆ | II | |

| OUTLETS | A | B | C | D | E | TYPE |
|---------|-----|----------------------------------|---------------------------------|---------------------------------|----|------|
| 6 | 62 | 54 ¹ / ₁₆ | 51 ¹ / ₁₆ | 39 ³ / ₁₆ | I | |
| 7 | 66 | 58 ¹ / ₁₆ | 53 ³ / ₁₆ | 42 ¹ / ₁₆ | I | |
| 8 | 72 | 64 ¹ / ₁₆ | 57 ¹ / ₁₆ | 45 ³ / ₁₆ | I | |
| 9 | 79 | 69 ¹ / ₁₆ | 60 ³ / ₁₆ | 48 ³ / ₁₆ | I | |
| 10 | 85 | 75 ¹ / ₁₆ | 63 ³ / ₁₆ | 52 ³ / ₁₆ | I | |
| 11 | 92 | 81 ¹ / ₁₆ | 67 ¹ / ₁₆ | 56 ¹ / ₁₆ | I | |
| 12 | 96 | 88 ¹ / ₁₆ | 71 ¹ / ₂ | 60 ¹ / ₁₆ | I | |
| 13 | 101 | 93 ¹ / ₁₆ | 74 ¹ / ₂ | 63 ¹ / ₁₆ | I | |
| 14 | 107 | 99 ¹ / ₁₆ | 78 ¹ / ₁₆ | 66 ³ / ₁₆ | I | |
| 15 | 113 | 105 ¹ / ₁₆ | 81 ¹ / ₁₆ | 70 ¹ / ₁₆ | II | |
| 16 | 120 | 109 ¹ / ₁₆ | 84 ¹ / ₁₆ | 72 ¹ / ₁₆ | II | |
| 17 | 126 | 118 ¹ / ₁₆ | 89 ³ / ₁₆ | 79 | II | |
| 18 | 133 | 122 ¹ / ₁₆ | 92 ¹ / ₁₆ | 80 ³ / ₁₆ | II | |
| 19 | 144 | 135 ¹ / ₁₆ | 99 ¹ / ₂ | 88 | II | |
| 20 | 144 | 135 ¹ / ₁₆ | 99 ¹ / ₂ | 88 | II | |

| OUTLETS | A | B | C | D | E | TYPE |
|---------|-----|----------------------------------|---------------------------------|---------------------------------|----|------|
| 6 | 66 | 56 ¹ / ₁₆ | 52 ¹ / ₂ | 41 | I | |
| 7 | 72 | 62 ¹ / ₁₆ | 58 ¹ / ₁₆ | 44 ¹ / ₁₆ | I | |
| 8 | 79 | 69 ¹ / ₁₆ | 60 ³ / ₁₆ | 48 ³ / ₁₆ | I | |
| 9 | 85 | 75 ¹ / ₁₆ | 63 ³ / ₁₆ | 52 ³ / ₁₆ | I | |
| 10 | 92 | 81 ¹ / ₁₆ | 67 ¹ / ₁₆ | 56 ¹ / ₁₆ | I | |
| 11 | 101 | 90 ¹ / ₁₆ | 72 ³ / ₁₆ | 61 ¹ / ₁₆ | I | |
| 12 | 107 | 96 ¹ / ₁₆ | 76 ¹ / ₁₆ | 64 ³ / ₁₆ | I | |
| 13 | 113 | 102 ¹ / ₁₆ | 79 ³ / ₁₆ | 68 ¹ / ₂ | II | |
| 14 | 120 | 109 ¹ / ₁₆ | 84 ¹ / ₁₆ | 72 ¹ / ₁₆ | II | |
| 15 | 126 | 115 ¹ / ₁₆ | 87 ³ / ₁₆ | 76 ¹ / ₁₆ | II | |
| 16 | 133 | 122 ¹ / ₁₆ | 92 ¹ / ₁₆ | 80 ³ / ₁₆ | II | |
| 17 | 144 | 134 ¹ / ₁₆ | 98 ¹ / ₁₆ | 87 ¹ / ₂ | II | |
| 18 | 144 | 134 ¹ / ₁₆ | 98 ¹ / ₁₆ | 87 ¹ / ₂ | II | |
| 19 | 159 | 147 ¹ / ₁₆ | 107 | 95 ¹ / ₁₆ | II | |
| 20 | 159 | 147 ¹ / ₁₆ | 107 | 95 ¹ / ₁₆ | II | |

Specifications and construction features subject to change without notice.

60°

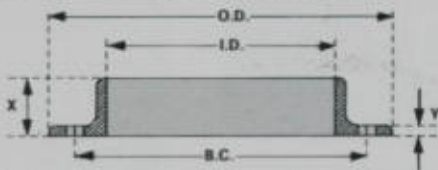
| OUTLETS | A | B | C | D | E | TYPE |
|---------|----|--------------------------------|---------------------------------|---------------------------------|---|------|
| 6 | 49 | 41 | 54 ¹ / ₂ | 43 ³ / ₁₆ | I | |
| 7 | 49 | 41 | 54 ¹ / ₂ | 43 ³ / ₁₆ | I | |
| 8 | 49 | 41 | 54 ¹ / ₂ | 43 ³ / ₁₆ | I | |
| 9 | 49 | 41 | 54 ¹ / ₂ | 43 ³ / ₁₆ | I | |
| 10 | 49 | 44 ¹ / ₂ | 57 ³ / ₁₆ | 46 ³ / ₁₆ | I | |
| 11 | 56 | 48 | 60 ³ / ₁₆ | 49 ³ / ₁₆ | I | |
| 12 | 56 | 52 | 64 ¹ / ₁₆ | 53 ¹ / ₁₆ | I | |
| 13 | 62 | 54 | 65 ³ / ₁₆ | 55 | I | |
| 14 | 66 | 58 | 69 ¹ / ₁₆ | 58 ¹ / ₂ | I | |
| 15 | 66 | 61 ¹ / ₂ | 72 ¹ / ₁₆ | 61 ¹ / ₂ | I | |
| 16 | 72 | 64 | 74 ¹ / ₁₆ | 63 ³ / ₁₆ | I | |
| 17 | 72 | 68 | 77 ¹ / ₁₆ | 67 ¹ / ₁₆ | I | |
| 18 | 79 | 71 | 80 ¹ / ₂ | 69 ³ / ₁₆ | I | |
| 19 | 79 | 75 | 84 | 73 ¹ / ₁₆ | I | |
| 20 | 85 | 79 | 87 ¹ / ₁₆ | 76 ¹ / ₁₆ | I | |

| OUTLETS | A | B | C | D | E | TYPE |
|---------|-----|--------------------------------|---------------------------------|---------------------------------|----|------|
| 6 | 49 | 41 | 54 ¹ / ₂ | 43 ³ / ₁₆ | I | |
| 7 | 49 | 41 | 54 ¹ / ₂ | 43 ³ / ₁₆ | I | |
| 8 | 49 | 43 | 56 ¹ / ₁₆ | 45 ¹ / ₂ | I | |
| 9 | 56 | 48 | 60 ³ / ₁₆ | 49 ³ / ₁₆ | I | |
| 10 | 62 | 54 | 65 ³ / ₁₆ | 55 | I | |
| 11 | 62 | 54 | 65 ³ / ₁₆ | 55 | I | |
| 12 | 66 | 58 | 69 ¹ / ₁₆ | 58 ¹ / ₂ | I | |
| 13 | 72 | 64 | 74 ¹ / ₁₆ | 63 ³ / ₁₆ | I | |
| 14 | 79 | 71 | 80 ¹ / ₂ | 69 ³ / ₁₆ | I | |
| 15 | 79 | 71 | 80 ¹ / ₂ | 69 ³ / ₁₆ | I | |
| 16 | 85 | 76 ¹ / ₂ | 85 ¹ / ₁₆ | 74 ¹ / ₂ | I | |
| 17 | 85 | 79 | 87 ¹ / ₁₆ | 76 ¹ / ₁₆ | I | |
| 18 | 92 | 84 | 91 ³ / ₁₆ | 81 | I | |
| 19 | 96 | 89 | 96 ¹ / ₁₆ | 85 ¹ / ₁₆ | II | |
| 20 | 101 | 92 | 98 ¹ / ₁₆ | 87 ³ / ₁₆ | II | |

| OUTLETS | A | B | C | D | E | TYPE |
|---------|-----|--------------------------------|----------------------------------|---------------------------------|----|------|
| 6 | 49 | 41 | 54 ¹ / ₂ | 43 ³ / ₁₆ | I | |
| 7 | 56 | 48 | 60 ³ / ₁₆ | 49 ³ / ₁₆ | I | |
| 8 | 56 | 48 | 60 ³ / ₁₆ | 49 ³ / ₁₆ | I | |
| 9 | 62 | 54 | 65 ³ / ₁₆ | 55 | I | |
| 10 | 66 | 58 | 69 ¹ / ₁₆ | 58 ¹ / ₂ | I | |
| 11 | 72 | 64 | 74 ¹ / ₁₆ | 63 ³ / ₁₆ | I | |
| 12 | 79 | 71 | 80 ¹ / ₂ | 69 ³ / ₁₆ | I | |
| 13 | 79 | 71 | 80 ¹ / ₂ | 69 ³ / ₁₆ | I | |
| 14 | 85 | 76 ¹ / ₂ | 85 ¹ / ₁₆ | 74 ¹ / ₂ | I | |
| 15 | 92 | 81 | 89 ¹ / ₁₆ | 78 ³ / ₁₆ | I | |
| 16 | 96 | 85 ¹ / ₂ | 93 ¹ / ₁₆ | 82 ¹ / ₁₆ | II | |
| 17 | 101 | 90 ¹ / ₂ | 97 ³ / ₁₆ | 86 ³ / ₁₆ | II | |
| 18 | 107 | 96 | 102 ³ / ₁₆ | 91 ³ / ₁₆ | II | |
| 19 | 113 | 105 | 109 ¹ / ₁₆ | 99 | II | |
| 20 | 113 | 105 | 109 ¹ / ₁₆ | 99 | II | |

| OUTLETS | A | B | C | D | E | TYPE |
|---------|-----|--------------------------------|---------------------------------|---------------------------------|----|------|
| 6 | 56 | 45 | 58 | 47 ¹ / ₁₆ | I | |
| 7 | 62 | 49 | 61 ¹ / ₁₆ | 50 ⁵ / ₁₆ | I | |
| 8 | 66 | 53 | 64 ¹ / ₁₆ | 54 ¹ / ₁₆ | I | |
| 9 | 72 | 59 | 70 ¹ / ₁₆ | 59 ³ / ₁₆ | I | |
| 10 | 79 | 64 | 74 ¹ / ₁₆ | 63 ³ / ₁₆ | I | |
| 11 | 79 | 69 | 78 ¹ / ₁₆ | 68 | I | |
| 12 | 85 | 74 | 83 ¹ / ₁₆ | 72 ³ / ₁₆ | I | |
| 13 | 92 | 81 | 89 ¹ / ₁₆ | 78 ³ / ₁₆ | I | |
| 14 | 96 | 85 ¹ / ₂ | 93 ¹ / ₁₆ | 82 ¹ / ₁₆ | II | |
| 15 | 101 | 90 ¹ / ₂ | 97 ³ / ₁₆ | 86 ³ / ₁₆ | II | |

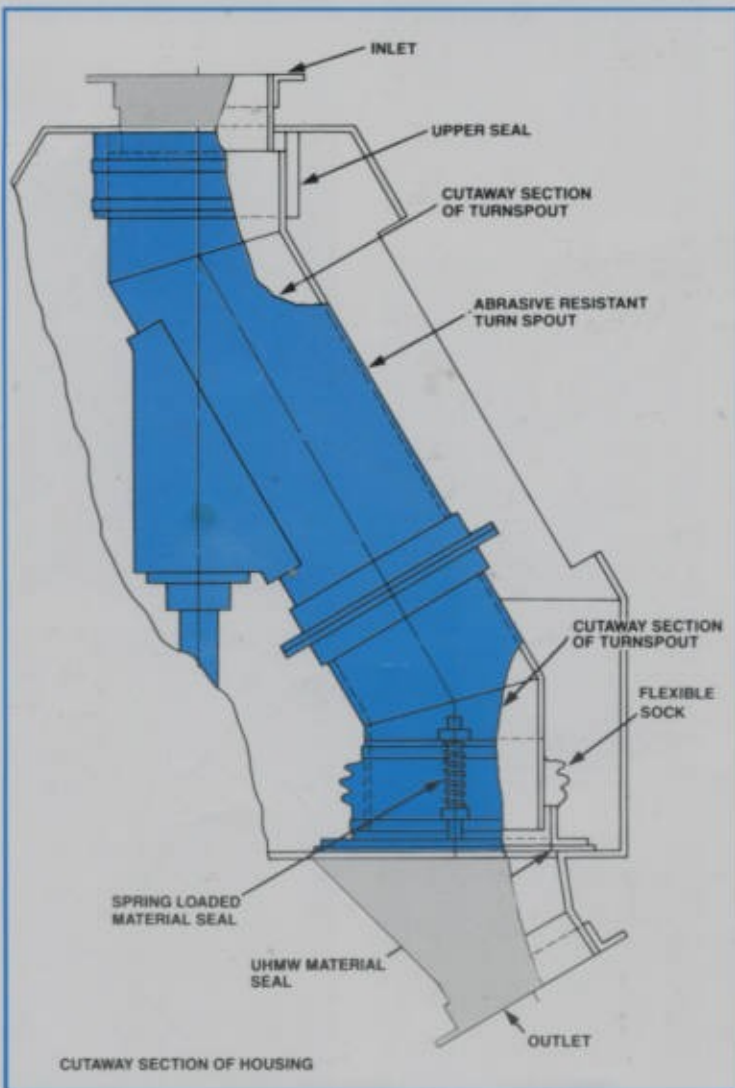
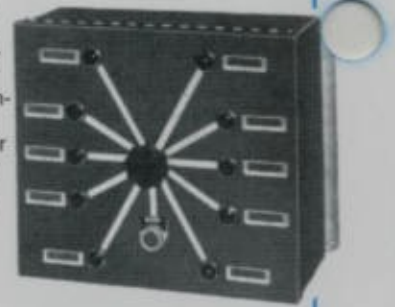
STANDARD FLANGE DRILLING



| Normal Size, Inches | Actual Inside Diameter, Inches I.D. | Outside Diameter, Inches O.D. | X | Y | Bolt Circle, Inches B.C. | Holes | |
|---------------------|-------------------------------------|-------------------------------|-----------------|----------------|--------------------------|----------------|--------|
| | | | | | | Bolt Size In. | Number |
| 6 | 6 $\frac{1}{8}$ | 8 $\frac{1}{8}$ | 1 $\frac{1}{4}$ | $\frac{3}{8}$ | 7 $\frac{1}{2}$ | $\frac{1}{4}$ | 6 |
| 8 | 8 $\frac{1}{8}$ | 10 $\frac{1}{8}$ | 1 $\frac{1}{4}$ | $\frac{3}{8}$ | 9 $\frac{1}{2}$ | $\frac{3}{16}$ | 8 |
| 10 | 10 $\frac{1}{16}$ | 12 $\frac{1}{16}$ | 1 $\frac{1}{2}$ | $\frac{3}{8}$ | 11 $\frac{1}{16}$ | $\frac{3}{16}$ | 8 |
| 12 | 12 $\frac{1}{16}$ | 15 $\frac{1}{16}$ | 1 $\frac{1}{2}$ | $\frac{3}{16}$ | 13 $\frac{1}{16}$ | $\frac{3}{8}$ | 12 |
| 14 | 14 $\frac{1}{16}$ | 17 $\frac{1}{16}$ | 1 $\frac{1}{2}$ | $\frac{3}{16}$ | 15 $\frac{1}{16}$ | $\frac{3}{8}$ | 12 |
| 16 | 16 $\frac{1}{4}$ | 19 $\frac{1}{4}$ | 1 $\frac{1}{2}$ | $\frac{3}{16}$ | 18 $\frac{1}{4}$ | $\frac{3}{8}$ | 16 |

ELECTRIC REMOTE CONTROL PANEL

Dust-tight panel, including starter for motor, prewired for easy installation. Features: easy-to-read dial for positioning turnspout, push-button for starting distributor, lights and label tags for each station, hinged cover to assure easy access for maintenance or servicing. Explosion-proof panel is available.



MANUAL CONTROL STAND

Provides positive control of inner rotating spout from any distance. Rustproof, galvanized, aircraft-control cable assures high reliability. Hand-operated index wheel rotates inner spout. Floor-mounted foot pedal used to release inner spout mechanism, enabling it to be turned to other outlet spouts.



STANDARD FEATURES: Abrasion-resistant turnspout • rubber upper seal • UHMW spring-loaded lower seal • access doors • lifting eyes • control stands for manual – cable or pipe.

OPTIONAL FEATURES: Angle-flanged discharge outlets • rubber or urethane liners for turnspout, inlet and discharge outlets • stainless steel construction • 360° material turnspout seal on some sizes • electric remote control panel.



The ESSMUELLER COMPANY

P.O. BOX 1966, LAUREL, MISSISSIPPI 39441-1966 • FAX 1-601-649-4320

PHONE: TOLL-FREE 1-800-325-7175 • In Mississippi: 1-601-649-2400

www.essmuller.com