

# AC Geared Motor Speed Controller 180W

## Model: US-52 180W



### **Description:**

AC single -phase motor speed controller using innovative electronic circuits, with small size, high precision, wide speed range, low power consumption, to achieve single-phase motor feedback constant speed and variable speed function. It is widely used in packaging, printing, instrumentation, garment machinery, medical machinery and other industries.

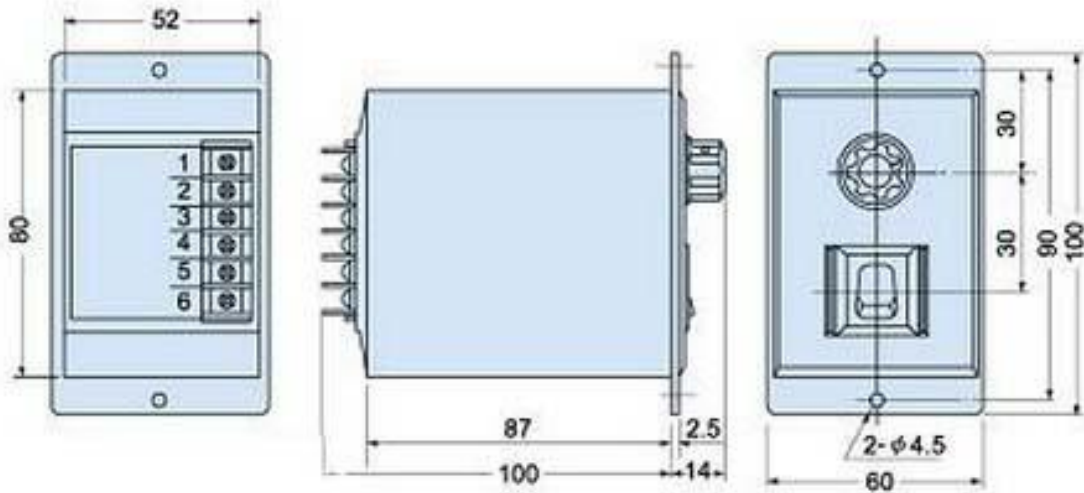
### **Technical Parameters:**

- Power supply: AC220V 50Hz
- Speed range: 90-1400r / min 50Hz
- Rated power: 180W
- Control: Forward / Reverse Optional (COM turned positive with CW Turn, COM and then to reverse CCW)
- Scope: YYPJ, YCJT, YYCJ series motors
- Dimensions: 65 × 155 × 162mm
- Axis diameter: 12mm
- Working temperature: -10~+50°C
- Relative humidity: ≤90%
- Installation: panel screws

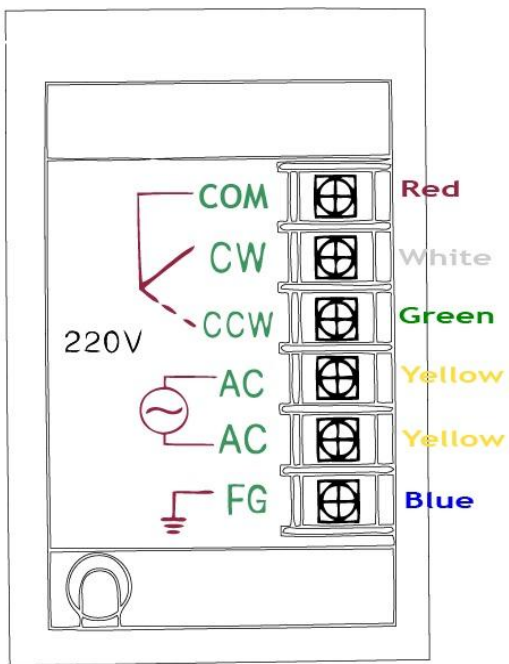
### **Instructions for Use:**

1. Slow start when the governor boot with soft start function.
2. This product uses the generator voltage feedback control, control line is: "blue", "yellow" two lines, the green ground wire.
3. The governor and the motor torque or the connection speed is found not to meet the requirements, adjust the US-52-type side trimmer.
4. If you want to change the direction of motor rotation:
  - a, select the COM and CW short, the motor is transferred.
  - b, select the COM and CCW short, the motor is reversed.
5. Panel switch control only motor movements or stopped without the use of a power outage, turn off the power for a long time and do not use.
6. The product matching motor models: YYDJ, YCJT, YYCJ, YCJFK series motor.

**Outline Dimensional Drawing:**



**Schematic:**



**Connection Diagram:**

