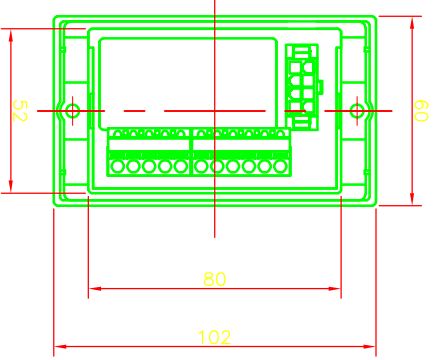
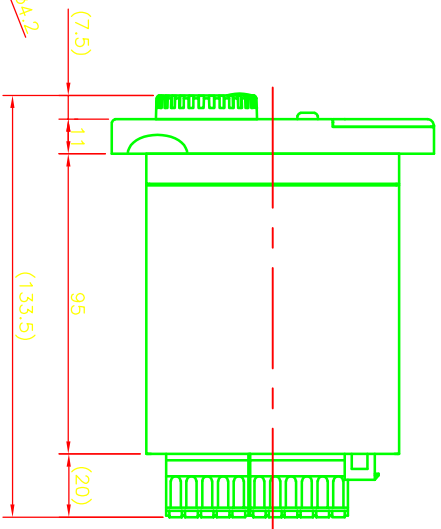
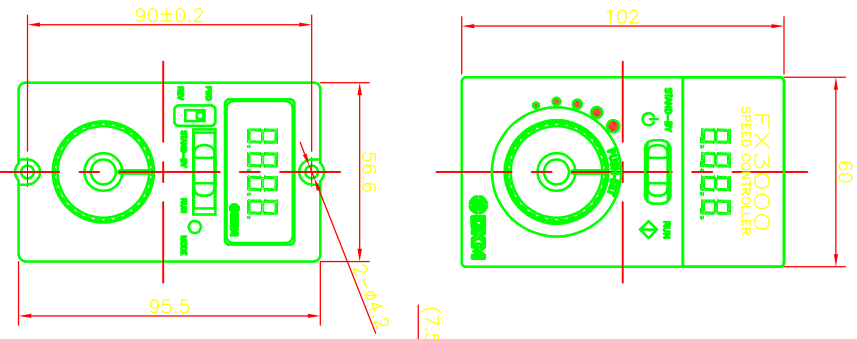
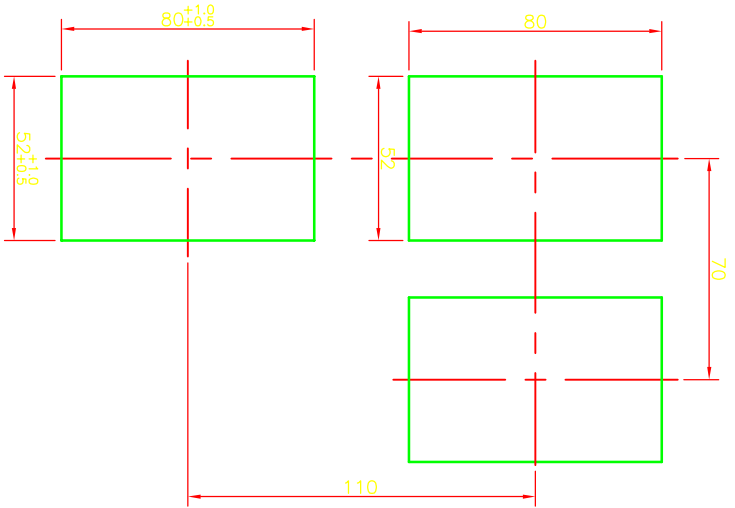


bangtaibinhminh.com

0944638118



bangtaibinhminh.com

Panel

REV.	DESCRIPTION	DATE	CHECK
1			

일반공차	
0.5~6	±0.05
6~30	±0.1
30~120	±0.15
120~315	±0.2
315~1000	±0.3
1000~2000	±0.5

1	NO.	NOMENCLATURE	MATERIAL	LOT	REMARKS
SCALE	UNIT : mm	APPROV	DESIGN	Q'TY	CONTROLLER
N					FX3000
S			JH.KIM	TITLE	
DATE				SHE. NO.	
2018				DWG. NO.	
03.05					

