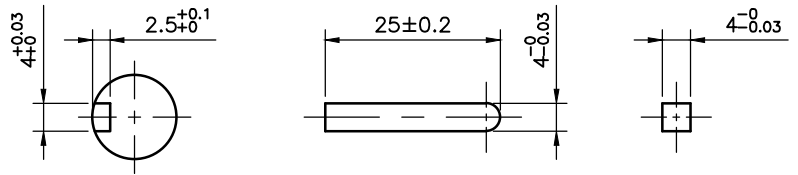


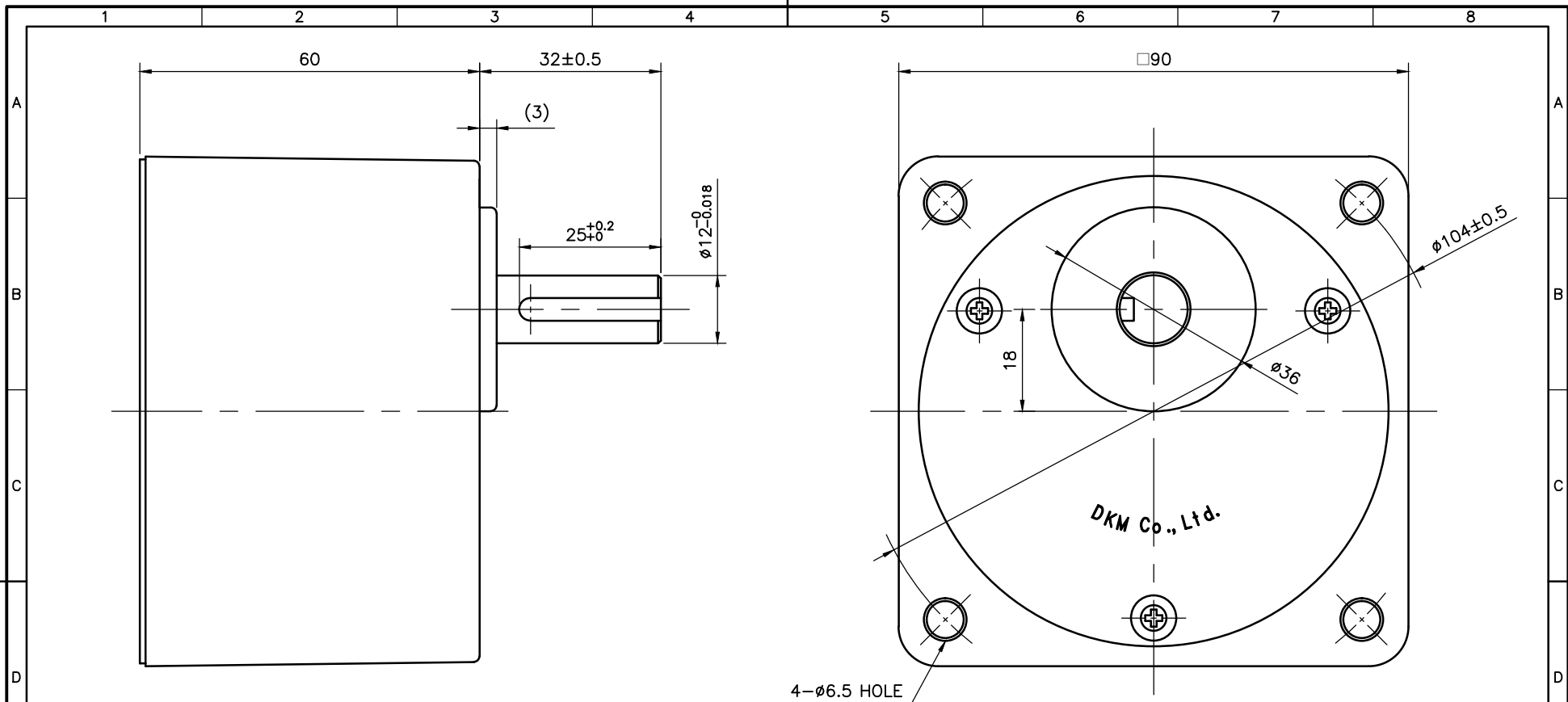
KEY SPEC



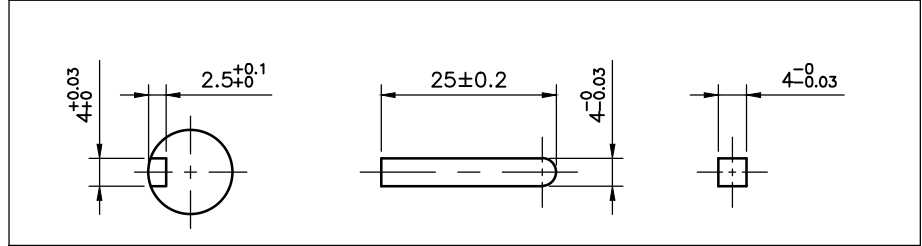
REV.	DESCRIPTION	DATE	CHECK
1		2	

일반공차	
0.5~6	±0.05
6~30	±0.1
30~120	±0.15
120~315	±0.2
315~1000	±0.3
1000~2000	±0.5

1	NOMENCLATURE			MATERIAL	LOT	REMARKS
NO.	UNIT : mm	APPROV	DESIGN	DRAWN	Q'TY	9GBK□BMH
N / S					TITLE	(1/2~18)
DATE					SHE.NO.	
		DWG.NO.				



### KEY SPEC



4- $\phi$ 6.5 HOLE

REV.	DESCRIPTION	DATE	CHECK
1		2	

일반공차	
0.5~6	$\pm 0.05$
6~30	$\pm 0.1$
30~120	$\pm 0.15$
120~315	$\pm 0.2$
315~1000	$\pm 0.3$
1000~2000	$\pm 0.5$

1	NOMENCLATURE			MATERIAL	LOT	REMARKS
NO.	UNIT : mm	APPROV	DESIGN	DRAWN	Q'TY	
N/S					TITLE	9GBK□BMH (1/20~200)
DATE					SHE.NO.	
					DWG.NO.	