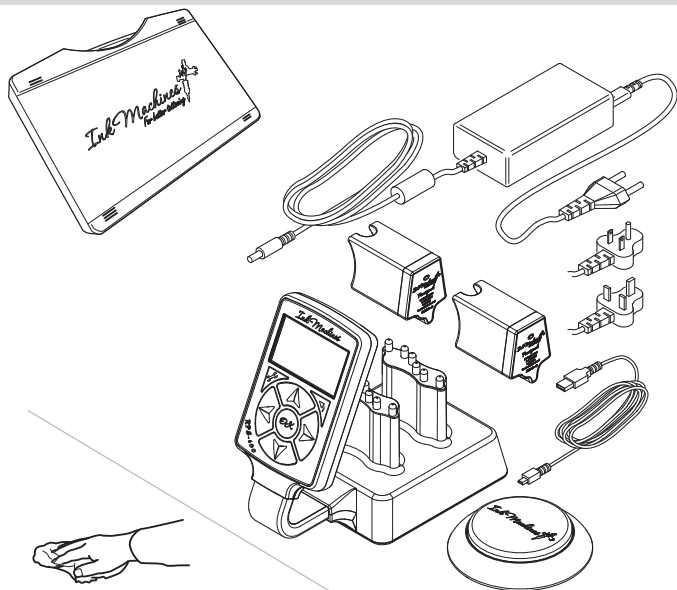
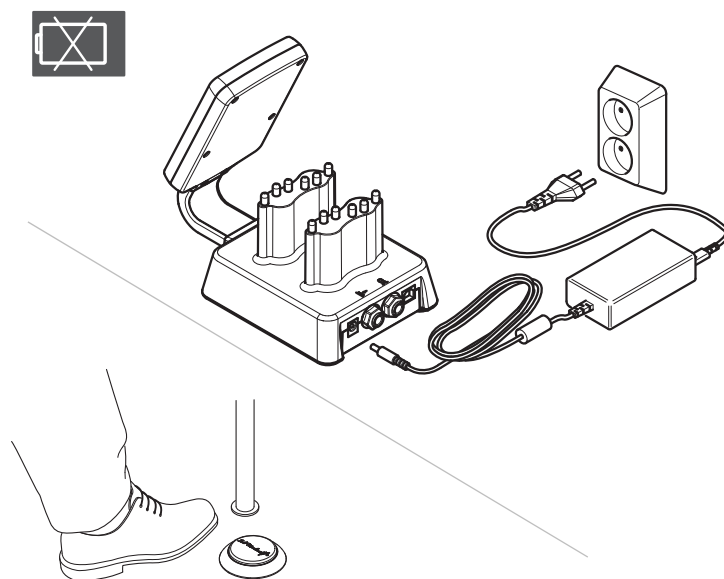


Quick guide to RPS-600

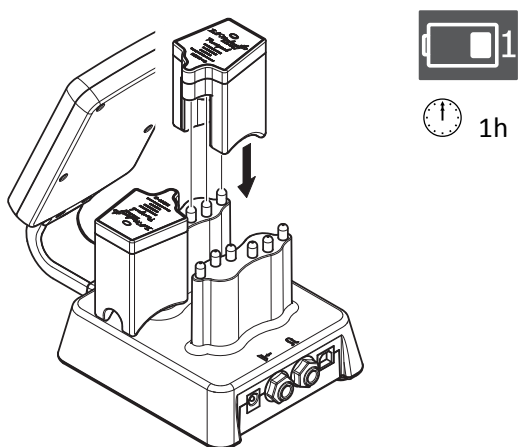
1.



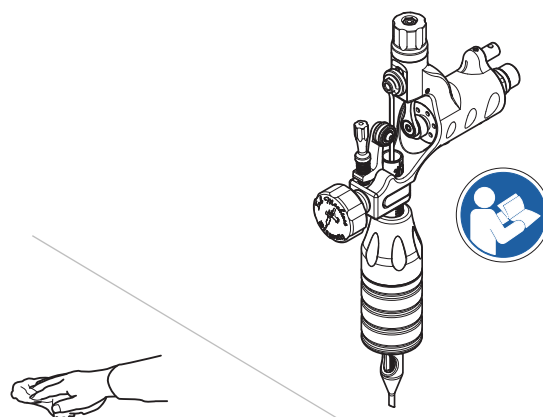
2.



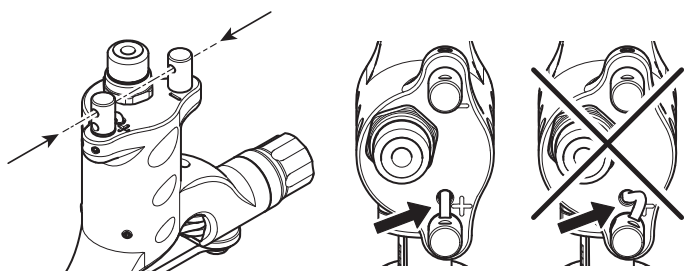
3.



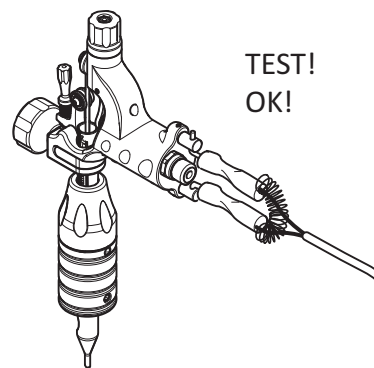
4.



5.



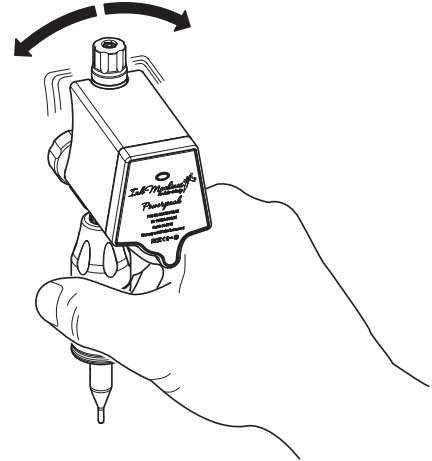
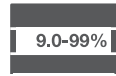
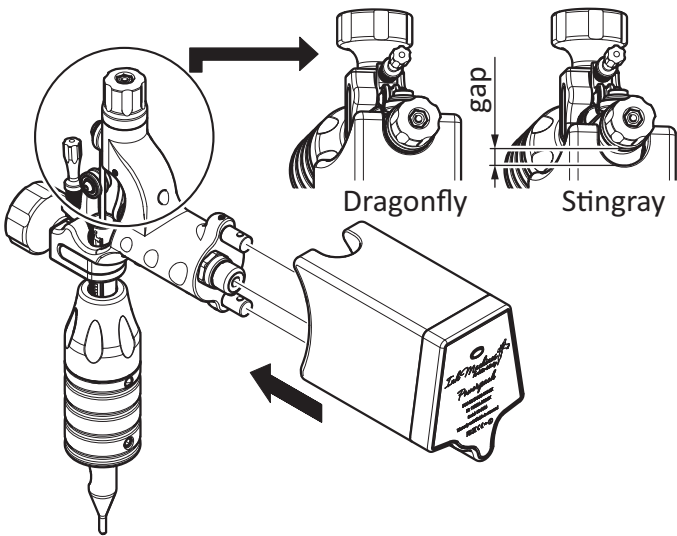
6.



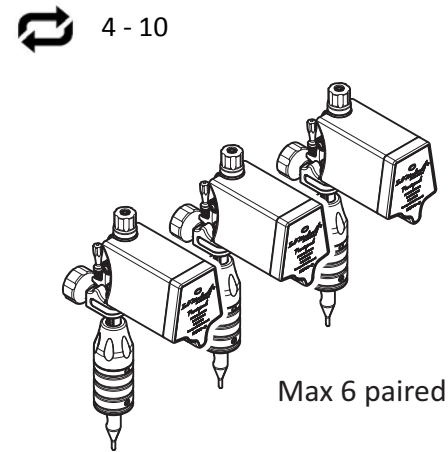
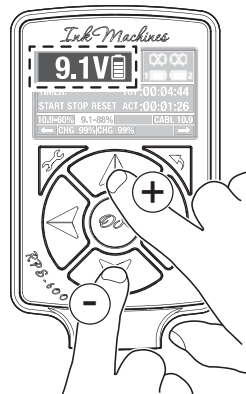
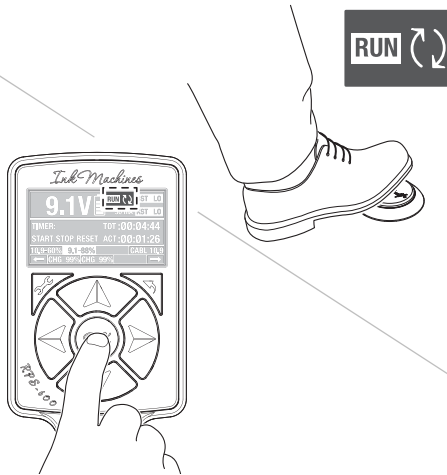
For further instruction upload the product manual for the RPS-600,
www.inkmachines.com (Pictures refer to the Dragonfly)

Quick guide to *RPS-600*

7. 8.



9. 10. 11.



12. 13.

