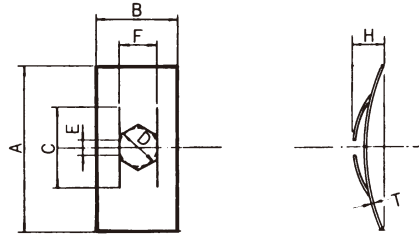


# Speed Nuts

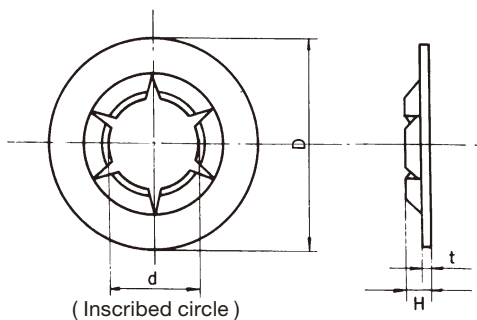


Unit: mm

Dimensions Codes	Nominals	D		A		B		C	E	F	T		H	
		Basic Size	Tolerance	Basic Size	Tolerance	Basic Size	Tolerance				Basic Size	Tolerance	Basic Size	Tolerance
32018	1.8	1.5	+0.08 -0.05	12	±0.4	6	±0.2	7	0.8	3	0.4	±0.03	2.5	±0.45
32020	2	1.8		12		6		7	0.8	3	0.4		2.5	
32025	2.5	2.3		14		7		8	0.8	3.5	0.4		2.7	±0.5
32030	3	2.8		14		7		8	0.8	3.5	0.4		2.7	
32035	3.5	3.3		15		8.5		10	0.8	4.5	0.4		2.8	
32040	4	3.8		16		9		9.6	1	4.5	0.5		±0.035	

Product code	<b>132</b>	Material code	02...SUS304-CSP		Part Number Structure (Standardized Product Code)													
					Product		Surface											
Surface code	01...Burnished		Hardness	HRC 37 - 46		①	③	②	①	②	②	①	○	○	○	○	○	○
						Material					Dimensions code							

# Push Nuts



Unit: mm

Dimensions Codes	Nominals	d		D	H	t		Applicable Shafts (Ref.)		Thrust Loading N
		Basic Size	Tolerance			Basic Size	Tolerance	Basic Size	Tolerance	
33012	1.2	1.1	0 -0.1	4.5	0.6	0.25	±0.03	1.2	+0.05 0	196
33015	1.5	1.4		5.2	0.65	0.25		1.5		196
33020	2	1.9		6	0.7	0.25		2		245
33024	2.4	2.3	7	0.8	0.25	2.4		343		
33030	3	2.9	10	1.3	0.3	3		785		
33040	4	3.9	12	1.4	0.3	4		981		
33050	5	4.9	0 -0.15	14	1.55	0.4	±0.04	5	1,471	
33060	6	5.9		16	1.75	0.4		6	1,667	
33080	8	7.9		17.5	1.8	0.5		8	2,157	
33100	10	9.9		21	2.2	0.7		±0.05	10	3,138
33120	12	11.9	27	2.8	0.9	±0.06	12	4,903		

Remarks: 1. Thrust loading is measured with SUS304-CSP.  
2. Thrust loading measured using steel shaft with hardness HV300 or less.

Product code	<b>133</b>	Material code	02...SUS304-CSP 70...Spring Steel		Part Number Structure (Standardized Product Code)												
					Product		Surface										
Surface code	01...Burnished (SUS304-CSP) 05...Phosphate Coating (Spring Steel)		Hardness	HRC37 - 46 (SUS304-CSP) HRC42 - 50 (Spring Steel)		①	③	③	○	○	○	○	○	○	○	○	○
						Material					Dimensions code						