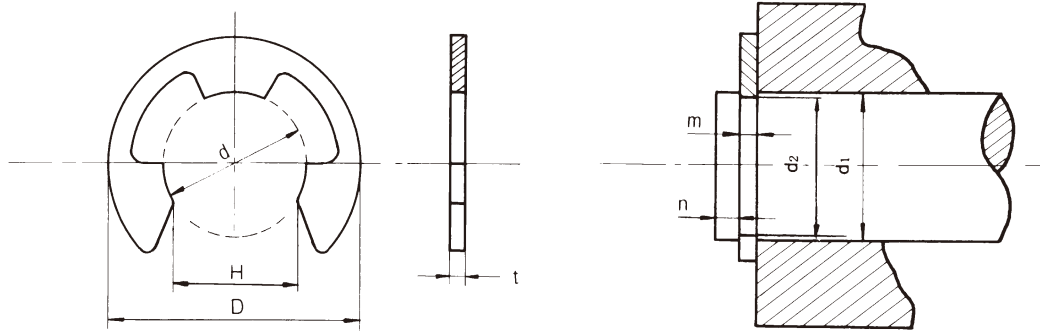


E-Type Retaining Rings/Taiyo Standard-A

Taiyo Standard



Unit: mm

Dimensions Codes	Nominals	Applicable Shafts d ₁	Dimensions of Retaining Rings				Groove Dimensions (Ref.)							
			Internal Diameter d	External Diameter D	H	Thickness t	Groove Diameter d ₂	With m	n _{Min.}					
※ 12013	1.3	1.5~2	1.3	0 -0.07	5	±0.1	1	±0.05	0.4	±0.03	1.3	+0.05 0	0.5	1
※ 12913	1.3S	1.5~2	1.3		3.7		1		0.25		1.3		0.3	
※ 12014	1.4	2~2.5	1.4		3.5		1.1		0.3		1.4		0.4	
※ 12016	1.6	2~2.8	1.6		3.5		1.2		0.3		1.6		0.4	
※ 12019	1.9	2.5~3	1.9	0 -0.08	6.5	±0.05	1.5	±0.05	0.5	±0.03	1.9	+0.05 0	0.6	
12819	1.9S	2.5~3	1.9		4.7		1.5		0.4		1.9		0.5	
※ 12020	2.0	3~4	2		6.5		1.6		0.4		2		0.5	
※ 12023	2.3	3~4	2.3		5.6		1.8		0.4		2.3		0.5	
※ 12024	2.4	3.5~4.5	2.4	5.8	1.9	0.4	2.4	0.5						
12025	2.5	4~5	2.5	5.2	2	0.4	2.5	0.5						
12029	2.9	4.5~6	2.9	0 -0.1	7.2	±0.08	2.3	±0.08	0.65	±0.03	2.9	+0.08 0	0.75	
※ 12030	3.0	4.5~6	3		8		2.4		0.5		3		0.6	
※ 12031	3.1	4.5~6	3.1		9.5		2.5		0.5		3.1		0.6	
12033	3.3	5~7	3.3		10.5		2.7		0.5		3.3		0.6	
12036	3.6	5~7	3.6	10.5	2.9	0.5	3.6	0.6						
12037	3.7	5~7	3.7	8.5	3	0.65	3.7	0.75						
12038	3.8	5~7	3.8	10.5	2.4	0.5	3.8	0.6						
※ 12040	4.0	6~8	4	10	3.3	0.6	4	0.7						
12041	4.1	7~9	4.1	0 -0.12	11	±0.1	3.6	±0.1	0.4	±0.05	4.1	+0.08 0	0.5	
12045	4.5	7~9	4.5		10.5		3.8		0.5		4.5		0.6	
12047	4.7	7~9	4.7		11		3.8		0.6		4.7		0.7	
※ 12060	6.0	7~9	6		12		4.9		0.6		6		0.7	
12070	7.0	8~11	7	14	5.7	0.9	7	1						
12076	7.6	9~12	7.6	0 -0.13	16.8	±0.3	6.2	±0.15	0.7	±0.05	7.6	+0.1 0	0.8	
12080	8.0	9~12	8		16		6.5		1		8		1.2	
12090	9.0	10~14	9		18.5		7.7		1		9		1.2	
12120	12.0	13~18	12		24		10.4		1		12		1.2	
12146	14.6	15.5~20	14.6	0 -0.15	28.4	±0.15	12.5	±0.06	1.2	±0.05	14.7	+0.15 0	1.4	
12209	20.9	22~26	20.9		38		17		1.2		21		1.4	

Notes: Items marked with ※ are also available as stacked package versions (change product code to 146 and first two digits of dimensions code to 46).

Product code	112	Material code	02...SUS304-CSP		Part Number Structure (Standardized Product Code)									
					Product		Surface							
Surface code	01...Burnished	Hardness	HRC 37 - 46		①	①	②	②	①	○	○	○	○	○
					Material				Dimensions code					