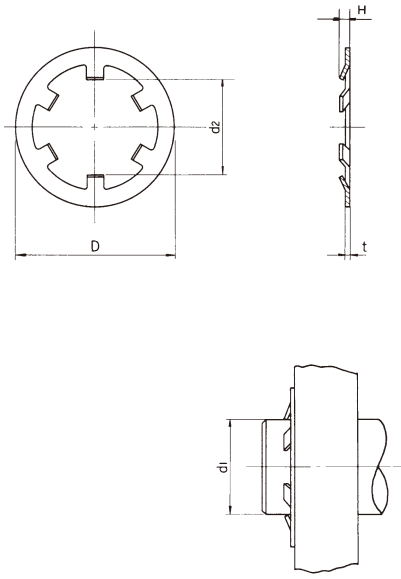


CA Retaining Rings for Shafts

Unit: mm



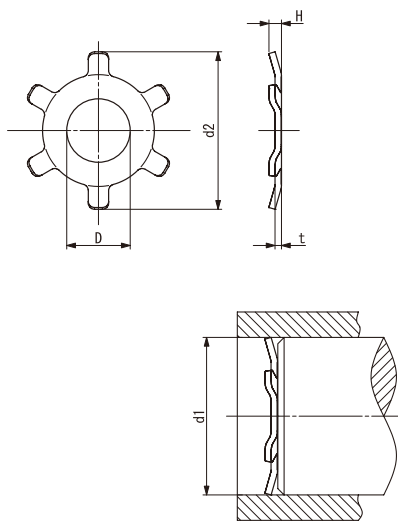
Dimensions Codes	Nominal Diameter	CA Retaining Ring for Shafts Dimensions							Thrust Loading N	Applicable Shafts d ₁	
		d ₂		D		H	t	Number of Teeth		Basic Dimension	Tolerance
		Basic Dimension	Tolerance	Basic Dimension	Tolerance						
48015	1.5	1.4	±0.05	5.2	±0.2	0.6	0.25	3	78	1.5	±0.03
48020	2	1.9		6		0.6	0.25	3	118	2	
48024	2.4	2.2	6.4	0.7		0.25	3	118	2.4		
48030	3	2.8	8	0.7		0.25	4	147	3		
48040	4	3.8	9	0.7		0.25	4	177	4		
48050	5	4.8	10	0.7		0.25	5	245	5		
48060	6	5.8	11	0.8		0.25	5	245	6		
48080	8	7.8	13	0.8		0.25	5	294	8		
48100	10	9.8	15.4	0.8		0.25	6	294	10		
48120	12	11.8	17.8	±0.3		1.0	0.4	6	343	12	
48160	16	15.8	22.8		1.0	0.4	6	392	16		
48180	18	17.8	25		1.0	0.4	8	392	18		
48200	20	19.8	28		1.0	0.4	8	392	20		

Remarks: 1. Thrust loading is measured with SUS304-CSP.
2. Thrust loading measured using steel shaft with hardness HV300 or less.
Notes: Customer-specified dimensions and materials are available upon request.

Product code	148	Material code	02...SUS304-CSP	Part Number Structure (Standardized Product Code)			
			70...Spring Steel				
Surface code	01...Burnished (SUS304-CSP)	Hardness	HRC37 - 46 (SUS304-CSP)	Product	Surface		
	05...Phosphate Coating (Spring Steel)		HRC45 - 53 (Spring Steel)	①④⑧	○ ○ ○ ○ ○ ○ ○ ○	Material	Dimensions code

CI Retaining Rings for Holes

Unit: mm



Dimensions Codes	Nominal Diameter	CI Retaining Rings for Holes Dimensions						Applicable Hole Size		
		d ₂		D		H	t	Number of Teeth	d ₁	
		Basic Dimension	Tolerance	Basic Dimension	Basic Dimension				Basic Dimension	Tolerance
49050	5	5.2	+0.1	2.0	0.7	0.25	6	5	±0.03	
49060	6	6.2		2.5	0.7			6		
49080	8	8.2		3.5	0.55			6		

Product code	149	Material code	02...SUS304-CSP	Part Number Structure (Standardized Product Code)			
Surface code	01...Burnished	Hardness	HRC 37 - 46	Product	Surface		
				①④⑨⑩②①	○ ○ ○ ○ ○ ○ ○ ○	Material	Dimensions code