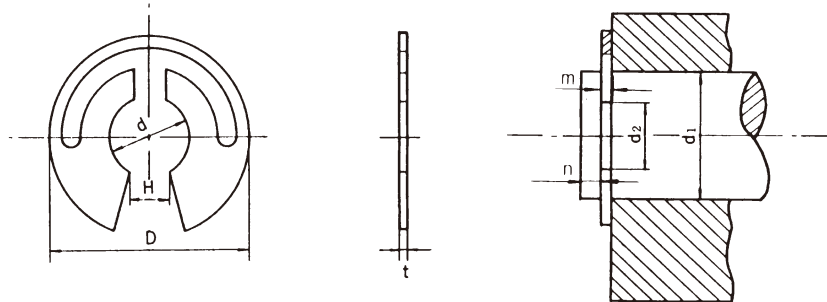


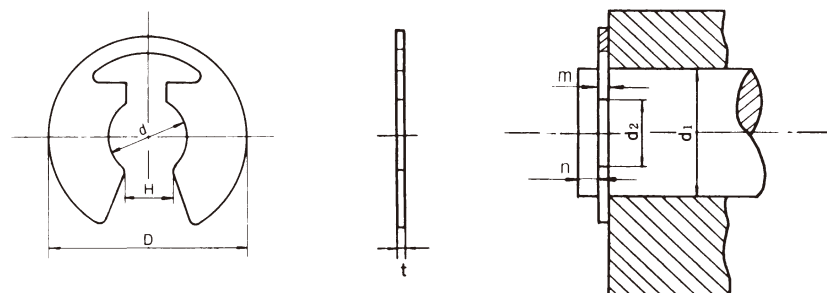
## Model - A



Unit: mm

Dimensions Codes	Nominals	Applicable Shafts $d_1$	Dimensions of C-Type Rings				Groove Dimensions (Ref.)		
			Internal Diameter d	External Diameter D	H	Thickness t	$d_2$	m	n
14015	1.5	2~3	1.5 $\begin{smallmatrix} 0 \\ -0.1 \end{smallmatrix}$	5 $\pm 0.2$	1.07 $\begin{smallmatrix} 0 \\ -0.25 \end{smallmatrix}$	0.4 $\pm 0.03$	1.5 $\begin{smallmatrix} +0.06 \\ 0 \end{smallmatrix}$	0.5 $\begin{smallmatrix} +0.1 \\ 0 \end{smallmatrix}$	1
14020	2	2.5~4	2 $\begin{smallmatrix} 0 \\ -0.1 \end{smallmatrix}$	6 $\pm 0.2$	1.45 $\begin{smallmatrix} 0 \\ -0.25 \end{smallmatrix}$		2 $\begin{smallmatrix} +0.06 \\ 0 \end{smallmatrix}$	0.5 $\begin{smallmatrix} +0.1 \\ 0 \end{smallmatrix}$	1
14064	6.4	7.3~9	6.3 $\pm 0.1$	16 $\pm 0.2$	5.6 $\begin{smallmatrix} 0 \\ -0.3 \end{smallmatrix}$		6.4 $\begin{smallmatrix} +0.07 \\ 0 \end{smallmatrix}$	0.5 $\begin{smallmatrix} +0.1 \\ 0 \end{smallmatrix}$	1.2

## Model - B



Unit: mm

Dimensions Codes	Nominals	Applicable Shafts $d_1$	Dimensions of C-Type Rings				Groove Dimensions (Ref.)		
			Internal Diameter d	External Diameter D	H	Thickness t	$d_2$	m	n
14013	1.3	2~3	1.3 $\begin{smallmatrix} 0 \\ -0.1 \end{smallmatrix}$	6 $\pm 0.2$	1.1 $\pm 0.05$	0.4 $\pm 0.03$	1.3 $\begin{smallmatrix} +0.06 \\ 0 \end{smallmatrix}$	0.5 $\begin{smallmatrix} +0.1 \\ 0 \end{smallmatrix}$	1
14016	1.6	2~3	1.6 $\begin{smallmatrix} 0 \\ -0.1 \end{smallmatrix}$	6 $\pm 0.2$	1.2 $\begin{smallmatrix} +0.1 \\ 0 \end{smallmatrix}$		1.6 $\begin{smallmatrix} +0.06 \\ 0 \end{smallmatrix}$	0.5 $\begin{smallmatrix} +0.1 \\ 0 \end{smallmatrix}$	1
14025	2.5	3.2~4	2.5 $\begin{smallmatrix} 0 \\ -0.1 \end{smallmatrix}$	9.5 $\pm 0.2$	2.3 $\begin{smallmatrix} 0 \\ -0.1 \end{smallmatrix}$		2.5 $\begin{smallmatrix} +0.06 \\ 0 \end{smallmatrix}$	0.5 $\begin{smallmatrix} +0.1 \\ 0 \end{smallmatrix}$	1
14030	3	4~5	3 $\begin{smallmatrix} 0 \\ -0.1 \end{smallmatrix}$	10 $\pm 0.2$	2.7 $\pm 0.05$		3 $\begin{smallmatrix} +0.06 \\ 0 \end{smallmatrix}$	0.5 $\begin{smallmatrix} +0.1 \\ 0 \end{smallmatrix}$	1
14040	4	5~7	4 $\begin{smallmatrix} 0 \\ -0.1 \end{smallmatrix}$	12.5 $\pm 0.2$	3.2 $\pm 0.07$		4 $\begin{smallmatrix} +0.06 \\ 0 \end{smallmatrix}$	0.5 $\begin{smallmatrix} +0.1 \\ 0 \end{smallmatrix}$	1.2
14043	4.3	5~7	4.3 $\begin{smallmatrix} 0 \\ -0.1 \end{smallmatrix}$	12.5 $\pm 0.2$	4 $\pm 0.07$		4.3 $\begin{smallmatrix} +0.06 \\ 0 \end{smallmatrix}$	0.5 $\begin{smallmatrix} +0.1 \\ 0 \end{smallmatrix}$	1.2

Product code	114	Material code	02...SUS304-CSP		Part Number Structure (Standardized Product Code)									
					Product		Surface							
Surface code	01...Burnished	Hardness	HRC 37 - 46		①	①	④	②	①	○	○	○	○	○
					Material			Dimensions code						