

3-LAYERS DIAPHRAGM TRUE UNION VALVE

(with PVDF gas barrier diaphragm & high corrosion resistant metal)

DE100/DE200 PVDF 3 LAYERS DIAPHRAGM VALVE



DE Series

DE100 SOCKET / DE200 THREAD

Suitable to the protect diaphragm from the gas permeation in the corrosion resistance and electrolytic chlorine gas.

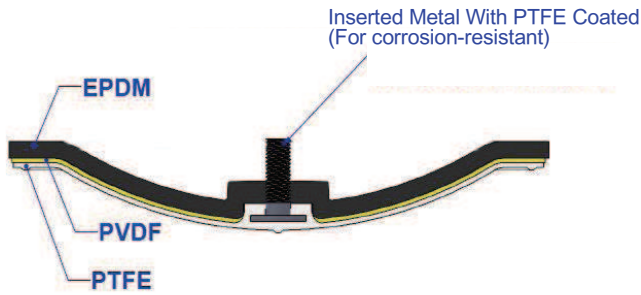
● MATERIALS OF CONSTRUCTION

Item	Parts	Pcs	Materials	Item	Parts	Pcs	Materials
1	Shaft	1	BRASS PTFE COATED	9	Gauge Cover	1	PC
2	Diaphragm	1	EPDM, TEFLON, PVDF 3 LAYS	10	O'ring	2	EPDM, VITON
3	Body	1	UPVC, PP, CPVC, PVDF	11	Compressor	1	15A-25A PVDF 32A-50A PPG
4	Sleeve	1	BRASS PTFE COATED	12	Indicator	1	ABS
5	Union Nut	2	UPVC, PP, CPVC, PVDF	13	Bolt	4	SUS304 PTFE COATED
6	Handle	1	ABS	14	Nut	4	SUS304 PTFE COATED
7	End Connector	2	UPVC, PP, CPVC, PVDF	15	Washer spring washer	8	SUS304 PTFE COATED
8	Bonnet	1	UPVC, PP, CPVC, PVDF				
8-1	Bonnet Board	1	SUS304 PTFE COATED				

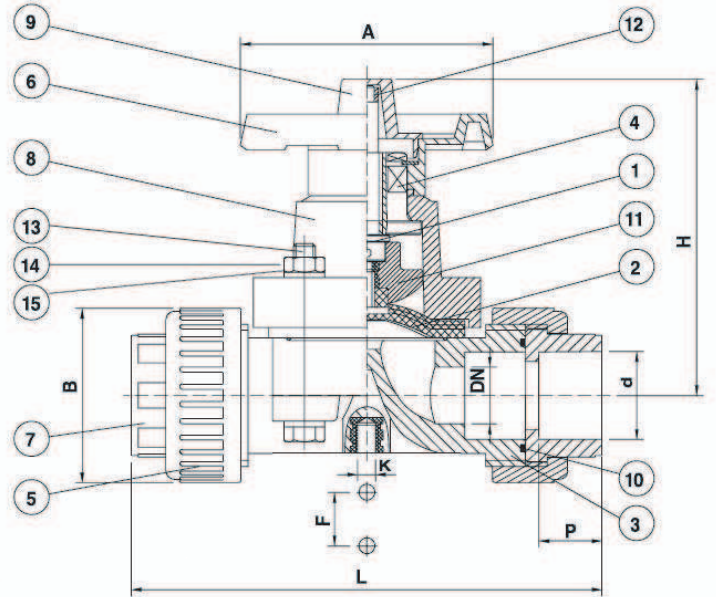


Part No.2

PVDF 3 lays Diaphragm



for corrosive/chlorine transport lines to prevent the permeation of gas barriers from the chemicals



DN15~DN50

DIMENSIONS TABLE

Standards Norm. Size	JIS										ANSI										DIN												
	Unit: mm										Unit: inch										Unit: mm												
	d		P	B	L	H	A	F	K	Test Press (kgf/cm ²)	d		P	B	L	H	A	F	K	Test Press (lb/in ²)	d		P	B	L	H	A	F	K	Test Press (bar)			
	Socket	Thread								Ptfe dia.	Rubber Dia.	Socket	Thread						Ptfe dia.	Rubber Dia.	Socket	Thread							Ptfe dia.	Rubber Dia.			
15(1/2")	22	PT1/2	22.2	54	166	107.5	81	25	8	10	10	0.84	NPT1/2	0.875	2.126	6.53	4.23	3.189	0.984	0.315	150	150	20	R1/2	16.0	54	166	107.5	81	25	8	10	10
20(3/4")	26	PT3/4	25.4	54	166	107.5	81	25	8	10	10	1.05	NPT3/4	1.000	2.126	6.53	4.23	3.189	0.984	0.315	150	150	25	R1/4	18.5	54	166	107.5	81	25	8	10	10
25(1")	32	PT1	28.6	63	183	116	91	25	8	10	10	1.32	NPT1	1.125	2.480	7.2	4.567	3.583	0.984	0.315	150	150	32	R1	22.0	63	183	116	91	25	8	10	10
32(1-1/4")	38	PT1-1/4	31.8	89	238	142	117	45	8	10	10	1.66	NPT1-1/4	1.250	3.5	9.37	5.591	4.606	1.772	0.315	150	150	40	R1-1/4	26.0	89	238	142	117	45	8	10	10
40(1-1/2")	48	PT1-1/2	34.9	89	238	142	117	45	8	10	10	1.90	NPT1-1/2	1.375	3.5	9.37	5.591	4.606	1.772	0.315	150	150	50	R1-1/2	31.0	89	238	142	117	45	8	10	10
50(2")	60	PT2	38.1	101	273	176	150	45	8	10	10	2.38	NPT2	1.500	3.97	10.74	6.929	5.906	1.772	0.315	150	150	63	R2	37.5	101	273	176	150	45	8	10	10

※ Standard dimensions based on PVC material