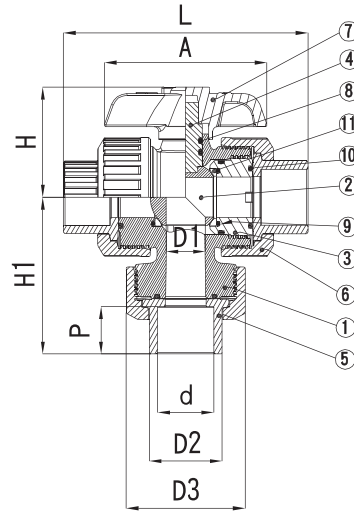




# THREE-WAY BALL VALVE

## The Vertical Diverter Type



### MATERIALS OF CONSTRUCTION

| No. | Parts        | Pcs | Materials | No. | Parts         | Pcs | Materials | No. | Parts       | Pcs | Materials |
|-----|--------------|-----|-----------|-----|---------------|-----|-----------|-----|-------------|-----|-----------|
| 1   | Body         | 1   | UPVC      | 5   | End Connector | 3   | UPVC      | 9   | Body O'ring | 2   | Seat      |
| 2   | Ball         | 1   | UPVC      | 6   | Union Nut     | 3   | UPVC      | 10  | End O'ring  | 3   | EPDM      |
| 3   | Seat Carrier | 1   | UPVC      | 7   | Handle        | 1   | ABS       | 11  | Seat        | 2   | EPDM      |
| 4   | Stem         | 1   | UPVC      | 8   | Stem O'ring   | 2   | EPDM      |     |             |     |           |

### DINENSIONS TABLE

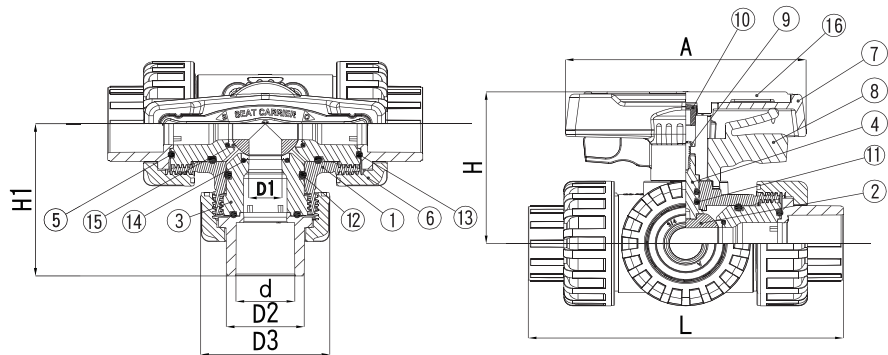
| Nom. Size<br>DN (inch) | A     | L     | H    | H1   | D1   | D2   | D3   | d    |       |      | P    |      |      | Working<br>press<br>(kgf/cm <sup>2</sup> ) |
|------------------------|-------|-------|------|------|------|------|------|------|-------|------|------|------|------|--|
|                        |       |       |      |      |      |      |      | JIS  | ANSI  | DIN  | JIS  | ANSI | DIN  |  |
| 025(1")                | 100.0 | 149.0 | 67.0 | 95.5 | 25.0 | 44.5 | 72.5 | 32.3 | 33.65 | 32.3 | 28.6 | 28.6 | 22.0 | 10.0                                       |

## CT Series

### The Horizontal Type



### CT100 SOCKET / CT200 THREAD



### MATERIALS OF CONSTRUCTION

| No. | Parts        | Pcs | Materials | No. | Parts            | Pcs | Materials | No. | Parts               | Pcs | Materials | No. | Parts           | Pcs | Materials |
|-----|--------------|-----|-----------|-----|------------------|-----|-----------|-----|---------------------|-----|-----------|-----|-----------------|-----|-----------|
| 1   | Body         | 1   | UPVC      | 5   | End Connector    | 3   | UPVC      | 9   | Screw               | 1   | SUS304    | 13  | End O'ring      | 3   | EPDM      |
| 2   | Ball         | 1   | UPVC      | 6   | Union Nut        | 3   | UPVC      | 10  | Cap                 | 1   | ABS       | 14  | Body O'ring     | 3   | EPDM      |
| 3   | Seat Carrier | 3   | UPVC      | 7   | Handle           | 1   | ABS       | 11  | Stem O'ring         | 2   | EPDM      | 15  | Seat            | 3   | TEFLON    |
| 4   | Stem         | 1   | UPVC      | 8   | Handle Fasteners | 2   | PP        | 12  | Seat Carrier O'ring | 3   | EPDM      | 16  | Handle on plate | 1   | ABS       |

### DINENSIONS TABLE

| Nom. Size<br>DN (inch) | A     | H    | H1   | D3   | JIS   |      |      | ANSI |      |       | DIN  |      |      | CNS  |       |      | Working<br>press<br>(kgf/cm <sup>2</sup> )(bar) |      |      |       |      |       |      |      |      |
|------------------------|-------|------|------|------|-------|------|------|------|------|-------|------|------|------|------|-------|------|---|------|------|-------|------|-------|------|------|------|
|                        |       |      |      |      | L     | P    | d    | D1   | D2   | L     | P    | d    | D1   | D2   | L     | P    |   | d    | D1   | D2    |      |       |      |      |      |
| 020(3/4")              | 110.0 | 71.7 | 72.0 | 44.5 | 144.5 | 25.4 | 26.3 | 15.5 | 35.7 | 144.7 | 25.4 | 26.9 | 15.5 | 35.7 | 130.2 | 18.5 | 25.2  | 15.0 | 35.7 | -     | -    | -     | -    | -    | 10.0 |
| 025(1")                | 110.0 | 79.0 | 79.8 | 67.3 | 160.0 | 28.6 | 32.3 | 18.4 | 44.0 | 160.0 | 28.6 | 33.7 | 18.4 | 44.0 | 146.4 | 22.0 | 32.3  | 18.4 | 44.0 | 160.0 | 28.6 | 34.35 | 18.4 | 44.0 | 10.0 |