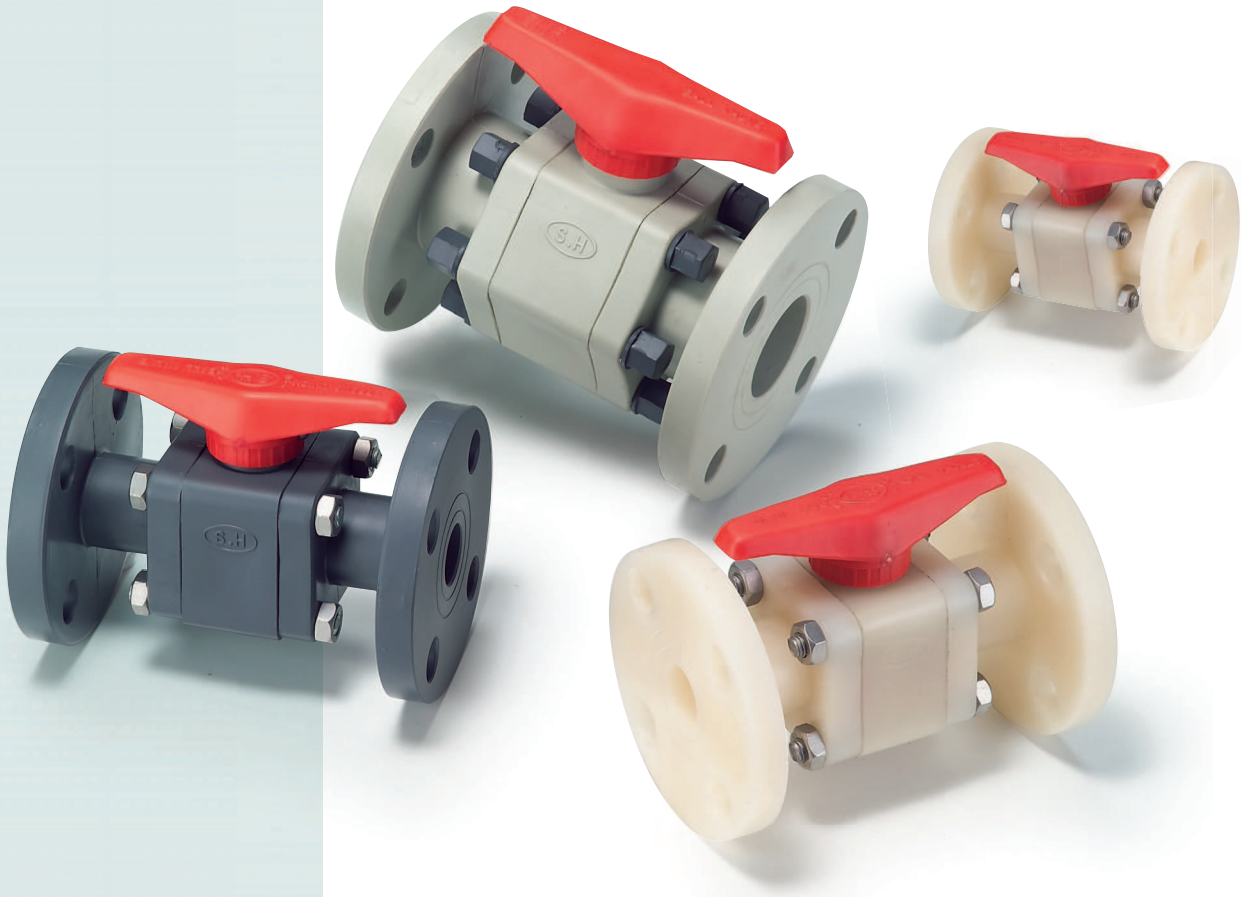




# STRONG UNION BALL VALVE

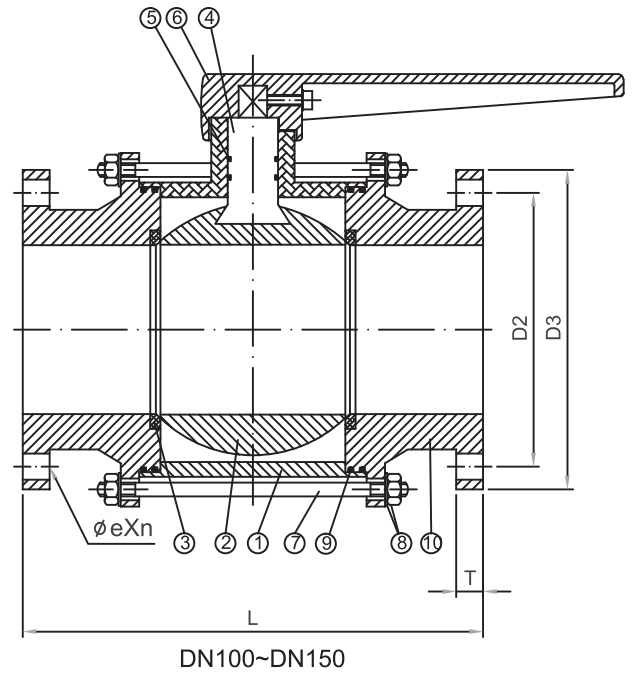
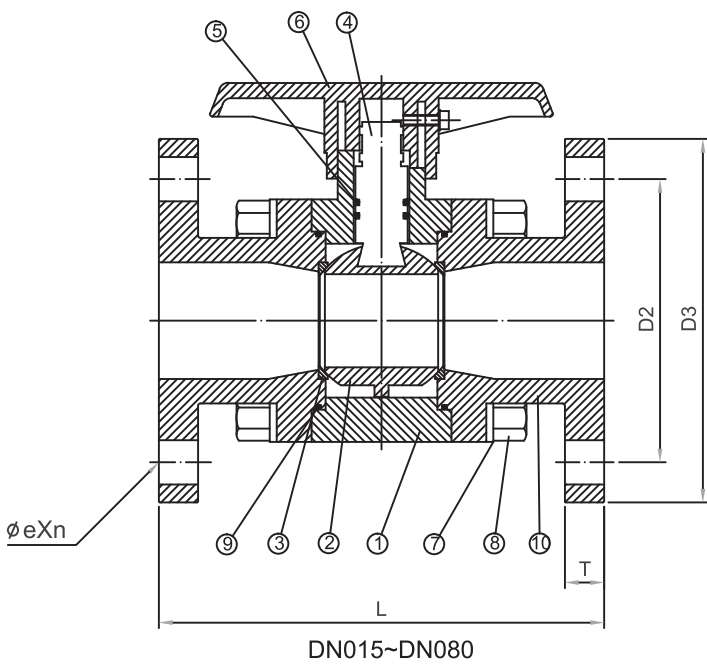


## CG Series

**CG300**  
**Size: DN15-DN150**

### ● MATERIALS OF CONSTRUCTION

No.	Parts	Pcs	Materials	No.	Parts	Pcs	Materials
1	Body	1	UPVC, CPVC, PP, PVDF	6	Handle	1	15A~150A.....ABS
2	Ball	1	UPVC, CPVC, PP, PVDF	7	Bolt	15A-32A 4 40A-80A 6 100A 8 150A 10	SUS-304 40A-80A PVC COATED BRASS 15A-32A,100A-150A SUS-304
3	Seat	2	TEFLON	8	NUT&WASHER		
4	Shaft	1	UPVC, CPVC, PPG, PVDF	9	Flange O-Ring	15A-65A 2 80A-150A 4	EPDM, VITON
5	O-Ring	15A,20A 1 25A~150A 2	EPDM, VITON	10	Flange	2	UPVC, CPVC, PP, PVDF



**SPECIFICATIONS:**

1. Test Press: ① {15mm-1/2"~65mm-2 1/2"} : 15kgf/cm <sup>2</sup> (bar) (235 lb/in <sup>2</sup> )	2. Working Press: ① {15mm-1/2"~65mm-2 1/2"} : 10kgf/cm <sup>2</sup> (bar) (150 lb/in <sup>2</sup> )
② {80mm-3"~150mm-6"} : 10kgf/cm <sup>2</sup> (bar) (150 lb/in <sup>2</sup> )	② {80mm-3"~150mm-6"} : 7kgf/cm <sup>2</sup> (bar) (100 lb/in <sup>2</sup> )

**DIMENSIONS TABLE**

Standards Nom. size DN-inch	JIS						ANSI						DIN					
	D3	D2	L	Unit:mm			D3	D2	L	Unit:inch			D3	D2	L	Unit:mm		
				n	øe	T				n	øe	T				n	øe	T
15(1/2")	95	70	146	4	15	13	3.50	2.38	5.75	4	0.63	0.51	95	65	146	4	14	13
20(3/4")	100	75	152	4	15	15	3.88	2.76	5.98	4	0.63	0.59	105	75	152	4	14	15
25(1")	125	90	172	4	19	16	4.25	3.13	6.77	4	0.63	0.63	115	85	172	4	14	16
32(1-1/4")	135	100	175	4	19	16	4.62	3.50	6.89	4	0.71	0.63	140	100	175	4	18	16
40(1-1/2")	140	105	182	4	19	18	5.00	3.88	7.17	4	0.71	0.71	150	110	182	4	18	18
50(2")	155	120	189	4	19	18	6.00	4.74	7.44	4	0.71	0.71	165	125	189	4	18	18
65(2-1/2")	175	140	218	4	19	20	7.00	5.49	8.58	4	0.75	0.78	185	145	218	4	18	20
80(3")	185	150	244	8	19	20	7.50	6.00	9.61	4	0.75	0.78	200	160	244	8	18	20
100(4")	210	175	296	8	19	23	9.00	7.50	11.65	8	0.78	0.90	220	180	296	8	18	23
125(5")	250	210	390	8	23	24	10.00	8.50	15.35	8	0.87	0.94	250	210	390	8	18	24
150(6")	280	240	390	8	23	24	11.00	9.50	15.35	8	0.87	0.94	280	240	390	8	23	24

The dimension table is calculated based on PVC material.  
 ✱ The valve of test pressure is calculated based on PVC PVDF materials.  
 ✱ The valve of test pressure for PP material is 70% based on this table.  
 The flanged length tolerance is according to EN558-1:1995.