

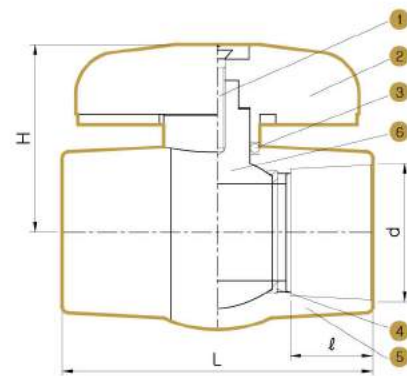
Compact Ball Valves

Socket Type

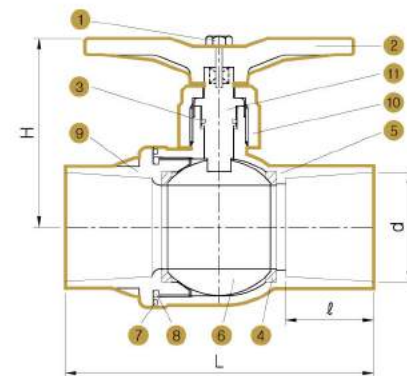
- Material : PVC
- Size : 13mm - 150mm, 3/8" - 6"
- Pressure Rating : JIS 10kgf/cm², 150 PSI
- Seals (Seat) : PE
- O-Ring : EPDM
- Connections : Socket

Special Features

- Full Bore Type
- 뛰어난 내구성과 간편한 조작성
- 양방향 흐름 제어 가능
- 수도용으로 사용 적합 (공업용 부적합)



13A ~ 50A



65A ~ 150A

NO	PARTS	MATERIALS
1	HANDLE PIN BOLT	SS41 (ABS COATED)
2	HANDLE	PP
3	O-RING	EPDM
4	NIP SEAL	PLASTOMER
5	BODY	PVC
6	BALL	PVC

NO	PARTS	MATERIALS
1	HANDLE PIN BOLT	SS41 (PP COATED)
2	HANDLE	PP
3	O-RING	EPDM
4	NIP SEAL	PE
5	BODY	PVC
6	BALL	PVC
7	SIDE O-RING	EPDM
8	FACE O-RING	EPDM
9	BODY CAP	PVC
10	GRAND CAP	PP
11	STEM	PVC

PVC

JIS

unit : mm

Size	d	L	φ	H	MAX Working Pressure (kg/cm ²)
13A	18.4	68	20	32	5
15A	22.4	84	23	43	5
20A	26.4	96	28	55	5
25A	32.4	106	29	66	5
30A	38.4	112	31	66	5
40A	48.4	130	33	75	5
50A	60.4	146	38	89	5
65A	76.6	270	69	170	5
80A	89.7	280	72	170	5
100A	114.7	333	94	182	5
125A	141.2	396	112	230	5
150A	166.3	450	140	230	5

