



BALL CHECK VALVE (VERTICAL TYPE)

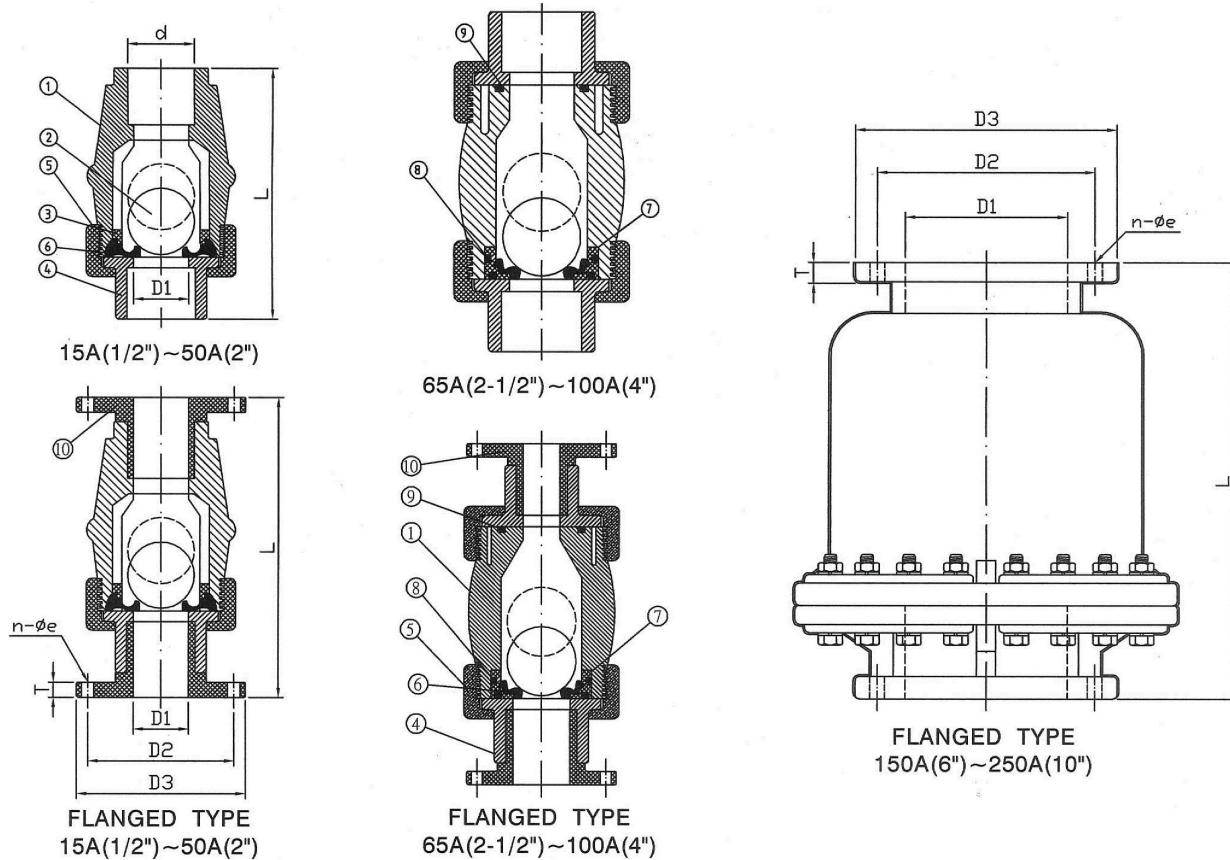


JB Series

SOCKET JB100 / THREAD JB200 / FLANGED JB300
SIZE: 1/2"-10"

MATERIALS OF CONSTRUCTION

No.	Parts	Pcs.	Materials	Min. Open Close Pressure kgf/cm ² (bar)		
				Size	Open	Close
1	Body	1	UPVC, PP, CPVC, PVDF	1/2"	0.05	0.2
2	Ball	1	UPVC, CPVC, PVDF, PPG	3/4"	0.05	0.3
3	Washer	1	UPVC, PP, CPVC, PVDF	1"	0.05	0.3
4	End Connector	1...DN15-50 2...DN65-100	UPVC, PP, CPVC, PVDF	1-1/4"	0.1	0.3
5	Union Nut	1...DN15-50 2...DN65-100	UPVC, PP, CPVC, PVDF	1-1/2"	0.1	0.3
6	Seat	1	EPDM, VITON	2"	0.1	0.3
7	Seat Carrier	1	UPVC, PP, CPVC, PVDF	2-1/2"	0.1	0.3
8	Seat Carrier O'ring	1	EPDM, VITON	3"	0.1	0.2
9	Solid End O'ring	1	EPDM, VITON	4"	0.1	0.2
10	Flanged End	2...DN15-100 1...DN150-250	UPVC, PP, CPVC, PVDF	6"		
11	Reinforcement Plate	4...DN150 8...DN250	SUS304(150A-250A)	10"		
12	Bolts on Reinforcement Plate	10...DN150 20...DN250	SUS304			



SPECIFICATIONS:

1. Test Press: ① {15mm(1/2")~100mm(4") : 15kgf/cm ² (bar){225lb/in ² }	2. Working Press: ① {15mm(1/2")~100mm(4") : 10kgf/cm ² (bar){150lb/in ² }
② {150mm(6") : 10kgf/cm ² (bar) (150lb/in ²)}	② {150mm(6") : 7kgf/cm ² (bar) (100lb/in ²)}
③ {250mm(10") : 5kgf/cm ² (bar) (75lb/in ²)}	③ {250mm(10") : 3kgf/cm ² (bar) (45lb/in ²)}

DIMENSIONS TABLE

Nom. Size DN-inch	JIS										ANSI										DIN												
	Unit:mm										Unit:inch										Unit:mm												
	D1	d		D2	D3	n	øe	L			T	D1	d		D2	D3	n	øe	L			T	D1	d		D2	D3	n	øe	L			T
	Screw	Socket					Screw	Socket	Flange			Screw	Socket					Screw	Socket	Flange		Screw	Socket				Screw	Socket	Flange				
15(1-2")	15	PT	22	70	95	4	15	96	96	135	15	0.59	NPT	0.84	2.375	3.500	4	0.63	3.78	3.78	5.32	0.59	15	R1/2	20	65	95	4	14	96	96	135	15
20(3/4")	20	PT	26	75	100	4	15	118	118	157	16	0.79	NPT	1.05	2.750	3.785	4	0.63	4.65	4.65	6.18	0.59	20	R3/4	25	75	105	4	14	118	118	157	15
25(1")	26	PT	32	90	125	4	19	124	124	167	17	0.98	NPT	1.32	3.125	4.250	4	0.63	4.88	4.88	6.58	0.66	26	R1	32	85	115	4	14	124	124	167	17
32(1-1/4")	36	PT	38	100	135	4	19	151	151	197	16	1.42	NPT	1.67	3.500	4.625	4	0.63	5.94	5.94	7.77	0.67	36	R1-1/4	40	100	140	4	18	151	151	197	17
40(1-1/2")	36	PT	48	105	145	4	19	151	151	199	18	1.57	NPT	1.91	3.875	5.000	4	0.63	5.94	5.94	7.84	0.7	36	R1-1/2	50	110	150	4	18	151	151	199	17
50(2")	50	PT	60	120	155	4	19	180	180	231	21	1.96	NPT	2.38	4.750	6.000	4	0.75	7.09	7.09	9.09	0.78	50	R2	63	125	165	4	18	180	180	231	20
65(2-1/2")	65	PT	76	140	175	4	19	222	222	275	20	2.36	NPT	2.88	5.500	7.000	4	0.75	8.74	8.74	10.83	0.8	65	R2-1/2	75	145	185	4	18	222	222	275	20
80(3")	80	PT	89	150	185	8	19	275	275	330	23	3.15	NPT	3.51	6.000	7.500	4	0.75	10.83	10.83	12.99	0.91	80	R3	90	160	200	8	18	275	275	330	23
100(4")	100	PT	114	175	210	8	19	361	361	415	20	3.74	NPT	4.51	7.500	9.000	8	0.75	14.21	14.21	16.34	0.92	100	R4	110	180	220	8	18	361	361	415	20
150(6")	150	-	-	240	280	8	23	-	-	485	23	-	-	-	9.500	11.000	8	0.88	-	-	19.09	0.87	150	-	-	240	285	8	23	-	-	485	23
250(10")	250	-	-	355	400	12	25	-	-	668	25	-	-	-	14.250	16.000	12	1.00	-	-	26.3	0.94	250	-	-	350	395	12	23	-	-	668	25

The dimension table is calculated based on PVC material.
 ✱ The valve of test pressure is calculated based on PVC PVDF materials.
 ✱ The valve of test pressure for PP material is 70% based on the table.
 ✱ The flanged length tolerance is according to EN558-1:1995.