

2L - 170 - 15 - AC110V - D

规格代码 Specification Code
2L: 蒸汽型二位二通电磁阀
2L: Steam type two position two way solenoid valve

流量孔径 Aperture of Flow Rate
170:17mm 200:20mm
300:30mm 500:50mm

接管口径 Joint Pipe Bore
10: 3/8" 15:1/2"
20:3/4" 25:1"
35:1 1/4" 40:1 1/2"
50:2"

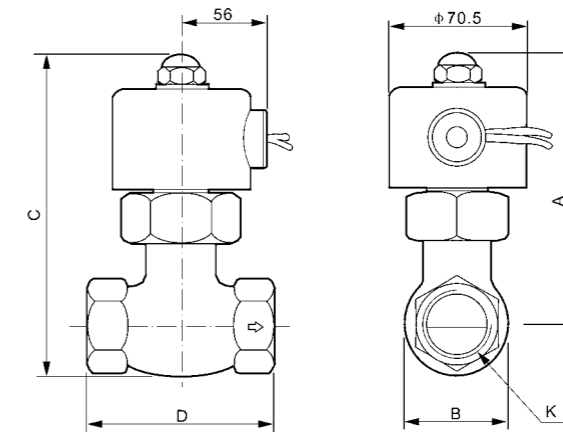
标准电压 Standard Voltage
DC12V
DC24V
AC24V 50/60Hz
AC36V 50/60Hz
AC110V 50/60Hz
AC220V 50/60Hz
AC380V 50/60Hz

接线形式 Wiring Form
空白: 表示引线式铁壳线圈 Blank: Lead Wire Type
D: 接线盒式封塑线圈 Join Connector

技术参数 Specification							
型号 Model	2L170-10	2L170-15	2L170-20	2L200-25	2L300-35	2L300-40	2L500-50
工作介质 Working Medium	空气、水、蒸汽/Air, Water, Steam						
动作方式 Motion Pattern	先导式/Guide Type						
型式 Type	常闭型/Normal Close Type						
流量孔径 (mm) Aperture of Flow Rate	17			20	30		50
CV值 CV Value	4.8			12	20		48
接管口径 Joint Pipe Bore	3/8"	1/2"	3/4"	1"	1 1/4"	1 1/2"	2"
使用流体粘滞度 Operation Fluid Viscosity	20 CST以下(below)						
使用压力 (kgf/cm ²) Working-pressure	1~15						
最大耐压力 (kgf/cm ²) Max. Pressure Resistance	22.5						
工作温度范围 (°C) Operating Temperature Range	-5~180						
使用电压范围 Voltage Range	±10%						
本体材质 Material of Body	黄铜/Brass						
油封材质 Material of Oil Seal	聚四氟乙烯/PTFE						

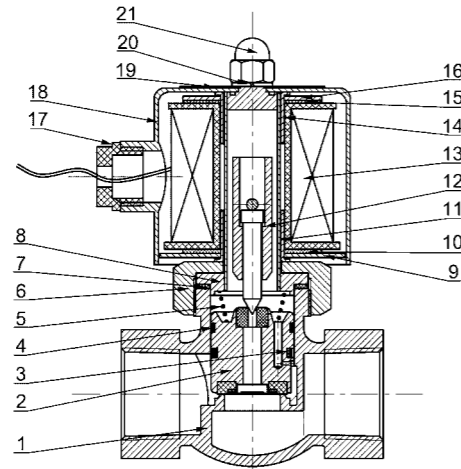
*特殊电压及特殊规格请与厂方接洽。 Please contact factory for special voltage and sepcification.

外形尺寸/Oevrral Dimension



型号 Model	A	B	C	D	K(G)
2L170-10	128	38	145	81	3/8"
2L170-15	128	42	145	81	1/2"
2L170-20	128	48	148	81	3/4"
2L200-25	130	54	156	91	1"
2L300-35	148	76	185	113	1 1/4"
2L300-40	148	76	183	113	1 1/2"
2L500-50	171	91	216	168	2"

内部结构/Inner Structure



序号 NO.	名称/Name	序号 NO.	名称/Name
1	阀体 Body Of Valve	12	动铁芯总成 Assembly Of Iron Core
2	活塞总成 Assembly Of Piston	13	线圈总成 Assembly Of Coil
3	弹性圈 Springiness Spacer	14	衬套 Bush
4	导向带 Wear Strip	15	衬垫 Gasket
5	宝塔弹簧 Spring	16	导磁板 Magnetic Plate
6	拼帽 Nut	17	旋钮 Cord-locks
7	密封圈 O-ring	18	铁壳 Iron Cover
8	先导头总成 Assembly of Iron Core	19	铭牌 Name Plate
9	导磁板 Magnetic Plate	20	轻型弹垫 Gasket
10	衬垫 Gasket	21	盖型螺母 Head Cover Nut
11	衬套 Bush		



规格代码 Specification Code

2V : 二位二通电磁阀
2V: Two position two way solenoid valve

流量孔径 Aperture of Flow Rate

025:2.5mm 130:13mm
250:25mm

接管口径 Joint Pipe Bore

06: 1/8" 08:1/4"
10: 3/8" 15:1/2"
20:3/4" 25:1"

标准电压 Standard Voltage

DC12V
DC24V
AC24V 50/60Hz
AC36V 50/60Hz
AC110V 50/60Hz
AC220V 50/60Hz
AC380V 50/60Hz

2V 025-06-AC110V