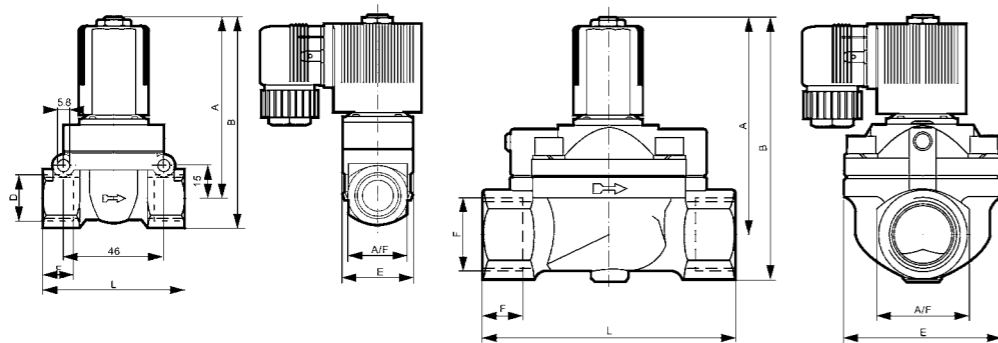


技术参数 Specification

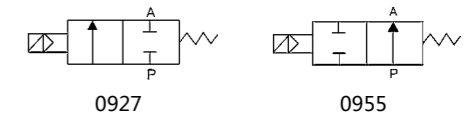
| 型号 Model   | SLG5404-04                      | SLG5404-06                      | SLG5404-08                      |
|--|---------------------------------|---------------------------------|---------------------------------|
| 工作介质<br>Working Medium                                   | 空气、水、油/Air,Water,Oil            |                                 |                                 |
| 动作方式<br>Motion Pattern                                   | 先导式/Guide Type                  |                                 |                                 |
| 型式<br>Type   | 常闭型/Normal Close Type           |                                 |                                 |
| 流量孔径 (mm)<br>Aperture of Flow Rate                       | 12                              | 25                              | 25                              |
| Kv值<br>Kv Value  | 2.0                             | 5.0                             | 10.0                            |
| 接管口径<br>Joint Pipe Bore                                  | 1/2"                            | 3/4"                            | 1"                              |
| 使用压力 (kgf/cm <sup>2</sup> )<br>Working-pressure          | 气体/Gas: 1~50<br>液体/Liquid: 1~50 | 气体/Gas: 1~30<br>液体/Liquid: 1~25 | 气体/Gas: 1~30<br>液体/Liquid: 1~25 |
| 最大耐压力 (kgf/cm <sup>2</sup> )<br>Max. Pressure Resistance | 75                              | 40                              |                                 |
| 工作温度范围 (°C)<br>Operating Temperature Range               | -5~150                          |                                 |                                 |
| 使用电压范围<br>Voltage Range                                  | ±10%                            |                                 |                                 |
| 保护等级<br>Protect Class                                    | IP65                            |                                 |                                 |
| 耗电量<br>Power Consumption                                 | AC:5.5VA DC:9W                  |                                 |                                 |
| 绝缘性<br>Insulation  | F级(Class)                       |                                 |                                 |
| 本体材质<br>Material of Body                                 | 黄铜/Brass                        |                                 |                                 |
| 油封材质<br>Material of Oil Seal                             | 聚四氟乙烯(PTFE)                     |                                 |                                 |

\*特殊电压及特殊规格请与厂方接洽。 Please contact factory for special voltage and specification.

外形尺寸/Oevrrall Dimension



| 型号 Model    | 内孔 (mm) | 连接接口 | A    | B   | F  | E  | L    | A/F |
|-------------|---------|------|------|-----|----|----|------|-----|
| SLG5404-04  | 12.0    | 1/2" | 84   | 98  | 13 | 32 | 63.5 | 28  |
| SLG5404-04B | 15.0    | 1/2" | 75   | 89  | 13 | 32 | 63.5 | 28  |
| SLG5404-06  | 20.0    | 3/4" | 99.5 | 125 | 16 | 60 | 91   | 41  |
| SLG5404-08  | 25.0    | 1"   | 99.5 | 125 | 16 | 60 | 91   | 41  |



规格代号 Specification Code

09 : 09系列二位二通电磁阀  
09 : Two position two way solenoid valve

型式 Type

27 : 常闭型/Normal Close Type  
55 : 常开型/Normal Open Type

接管口径 Joint Pipe Bore

|                             |                             |
|-----------------------------|-----------------------------|
| 000/105: G1/4               | 100/205: G3/8               |
| 200/305: G1/2               | 300/405: G3/4               |
| 400/505: G1                 | 500/605: G1 <sup>1</sup> /4 |
| 600/705: G1 <sup>1</sup> /2 | 700/805: G2                 |

标准电压 Standard Voltage

DC12V  
DC24V  
AC24V 50/60Hz  
AC36V 50/60Hz  
AC110V 50/60Hz  
AC220V 50/60Hz  
AC380V 50/60Hz

产品说明 Product Introduction

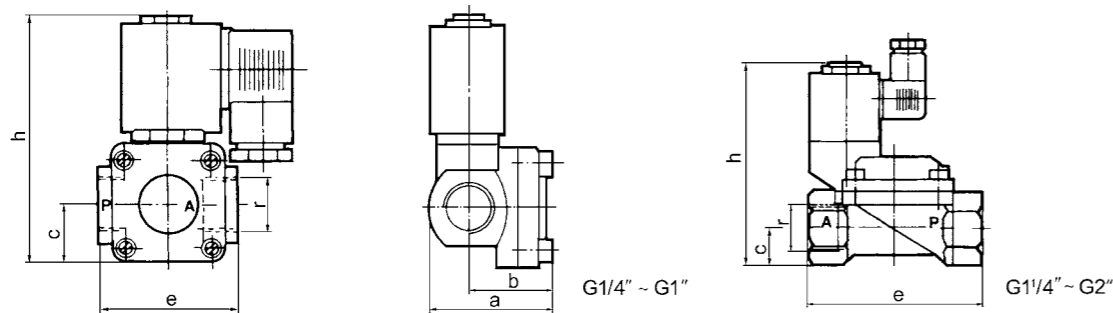
- 1、0927系列阀属常闭型  
0927 series solenoid valves are normally closed.
- 2、0955系列阀属常开型  
0955 series solenoid valves are normally open.
- 3、更换先导头及线圈可作防爆阀  
Replace the solenoid can make the valves explosion-proof.

0927系列、0955系列二位二通电磁阀  
2/2 Way General Purpose Solenoid Valves



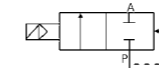
| 技术参数 Specification                 |   |         |         |         |         |         |         |         |
|------------------------------------|---|---------|---------|---------|---------|---------|---------|---------|
| 型号 Model                           | 0927000   | 0927100 | 0927200 | 0927300 | 0927400 | 0927500 | 0927600 | 0927700 |
|                                    | 0955105   | 0955205 | 0955305 | 0955405 | 0955505 | 0955605 | 0955705 | 0955805 |
| 公称通径 (mm)<br>Orifice Size          | 8   | 10      | 12      | 20      | 25      | 32      | 40      | 50      |
| 工作压力 (MPa)<br>Operating Pressure   | 0.07~1.6  |         |         |         |         | 0.1~1.6 |         |         |
| 工作温度 (°C)<br>Operating Temperature | -5 ~ 80°C(更改密封件温度能达到-5~150°C) / -5 ~ 80°C for NBR, -5~150°C for VITON ,EPDM |         |         |         |         |         |         |         |
| 有效截面积 (mm²)<br>Effective Section   | 20  | 40      | 60      | 110     | 190     | 300     | 400     | 500     |
| 电压 (V)<br>Voltage                  | AC: 220, 110 DC: 24   |         |         |         |         |         |         |         |

外形尺寸/Oevrall Dimension



| 型号 Model | a   | b    | c    | e   | h   | r      |
|----------|-----|------|------|-----|-----|--------|
| 0927000  | 45  | 31.5 | 22   | 53  | 97  | G1/4   |
| 0955105  |     |      |      |     | 114 |        |
| 0927100  |     |      |      |     | 97  | G3/8   |
| 0955205  |     |      |      |     | 114 |        |
| 0927200  | 65  | 44   | 30   | 86  | 97  | G1/2   |
| 0955305  |     |      |      |     | 114 |        |
| 0927300  |     |      |      |     | 113 | G3/4   |
| 0955405  |     |      |      |     | 130 |        |
| 0927400  | 95  | 47   | 31   | 132 | 113 | G1     |
| 0955505  |     |      |      |     | 130 |        |
| 0927500  |     |      |      |     | 136 | G1 1/4 |
| 0955605  |     |      |      |     | 153 |        |
| 0927600  | 112 | 55   | 39.5 | 160 | 136 | G1 1/2 |
| 0955705  |     |      |      |     | 153 |        |
| 0927700  |     |      |      |     | 155 | G2     |
| 0955805  | 172 |      |      |     |     |        |

SLG6213系列电磁阀  
SLG6213 Series Solenoid Valve



技术参数 Specification

| 型号 Model                             | SLG6213-02                            | SLG6213-03 | SLG6213-04 | SLG6213-04 | SLG6213-06 | SLG6213-06 | SLG6213-08 |
|--------------------------------------|---------------------------------------|------------|------------|------------|------------|------------|------------|
| 公称通径<br>Inside Nominal Diameter(mm)  | 4                                     | 10         | 14         |            | 25         |            |            |
| 接管螺纹<br>Inside Pipe Screw Thread     | G1/8"                                 | G3/8"      | G1/2"      | G1/2"      | G3/4"      | G3/4"      | G1"        |
| 工作压力 (Kgf/cm²)<br>Working Pressure   | 0~6                                   | 0.3~10     |            |            |            |            |            |
| 环境温度 (°C)<br>Environment Temperature | -20~+55                               | -10~+55    |            |            |            |            |            |
| 介质温度 (°C)<br>Medium Temperature      | 0~+90                                 | -10~+90    |            |            |            |            |            |
| KV值 (m³/h)<br>Kv Value               | 11                                    | 2          | 3.6        | 8.3        | 8.3        | 11         | 11         |
| 功率消耗<br>Power Consumption            | AC(VA)                                | 14         |            |            |            |            |            |
|                                      | DC(W)                                 | 8          |            |            |            |            |            |
| 切换频率<br>Change Frequency (Hz)        | ≥1                                    |            |            | ≥0.5       |            |            |            |
| 电源,电压<br>Power,voltage               | AC:50Hz 24V 36V 110V 220V DC: 24V,12V |            |            |            |            |            |            |