

BUTTERFLY VALVE GEAR OPER. FULL FLANGED TYPE



BF Series

BF 300 Size: 8" - 24"

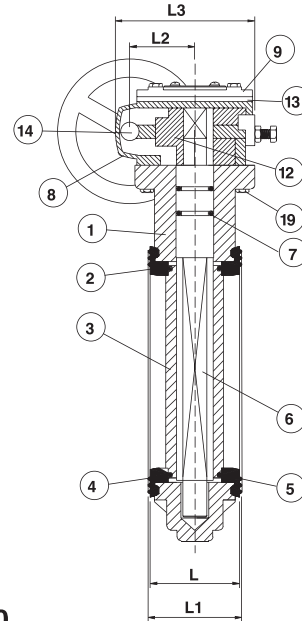
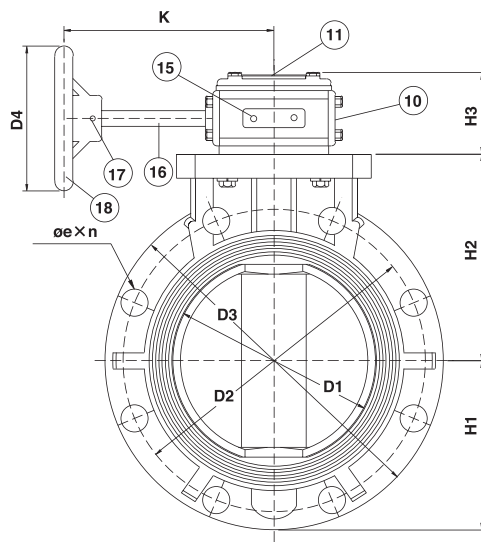
*OPTION: 8"(DN200)Lever type.

● MATERIALS OF CONSTRUCTION

| No. | Parts | Pcs. | Materials | No. | Parts | Pcs. | Materials |
|-----|----------------|------|---------------------------|-----|-----------------|------|-----------------|
| 1 | Body | 1 | UPVC, PP,CPVC, PPG, PVDF | 11 | Indicator Plate | 1 | UPVC |
| 2 | Seat | 1 | EPDM, VITON, NBR, HYPALON | 12 | Gear | 1 | FCD45 |
| 3 | Disc | 1 | UPVC, PP,CPVC, PPG, PVDF | 13 | Oil Seal | 1 | EPDM |
| 4 | Disc O'ring(A) | 2 | EPDM, VITON | 14 | Bearing | 1 | SMCM220/420/810 |
| 5 | Disc O'ring(B) | 2 | EPDM, VITON | 15 | Adjustable Bolt | 2 | SS41 |
| 6 | Stem | 1 | SUS410, SUS304, SUS316 | 16 | Gearing | 1 | SS41 |
| 7 | Stem O'ring | 2 | EPDM, VITON | 17 | Set Pin | 1 | K7 |
| 8 | Gear Box | 1 | FC25 | 18 | Hand Wheel | 1 | FCD45 |
| 9 | Gear Box Cap | 1 | FC25 | 19 | Tightening Bolt | 4 | SCM3,SUS304 |
| 10 | Side Cap | 1 | FC25 | | | | |

● Torque Values (1kgf/m=9.8N.m)

| BF-V'S Size | Torque Under Without Any Water Pressure (Kgf/m) | Under Water Testing Pressure(Kg/cm ²) | | | BF-V'S Size | Torque Under Without Any Water Pressure (Kgf/m) | Under Water Testing Pressure(Kg/cm ²) | | |
|-------------|---|---|--------------------|---------------------|-------------|---|---|--------------------|---------------------|
| | | Water Pressure(Kgf/cm ²) | Open Torque(Kgf/m) | Close Torque(Kgf/m) | | | Water Pressure(Kgf/cm ²) | Open Torque(Kgf/m) | Close Torque(Kgf/m) |
| 2" | 1.5 | 15 | 0.5 | 0.5 | 12" | 27.0 | 6 | 14 | 18 |
| 2-1/2" | 1.5 | 15 | 0.5 | 0.5 | 14" | 37.0 | 6 | 25 | 28 |
| 3" | 2.0 | 15 | 1 | 1.5 | 16" | 42.0 | - | - | - |
| 4" | 2.0 | 12 | 1 | 1.5 | 18" | 52.0 | - | - | - |
| 5" | 5.0 | 12 | 2.5 | 4.5 | 20" | 65.0 | - | - | - |
| 6" | 6.5 | 12 | 4 | 7 | 24" | 76.0 | - | - | - |
| 8" | 10.0 | 10 | 6 | 8.5 | | | | | |
| 10" | 17.0 | 8 | 7 | 10 | | | | | |



DN200~DN600

● DIMENSIONS TABLE

| JIS | | | | | | | | | | | | | | Unit: mm | | | |
|-----------------------|-----|-----|----|----|-----|-----|-----|-------|------|-----|-----|-----|-----|----------|--------------------------------------|------|---|
| Nom. Size DN(inch) | D1 | D2 | n | øe | D3 | L | L1 | H1 | H2 | H3 | K | L2 | L3 | D4 | Test Press (kgf/cm ²) | | Working Press (kgf/cm ²) |
| | | | | | | | | | | | | | | | Body | Seat | |
| 200(8") | 203 | 290 | 12 | 23 | 348 | 82 | 87 | 174 | 2112 | 108 | 175 | 51 | 136 | 180 | 15.0 | 12.0 | 10.0 |
| 250(10") | 255 | 355 | 12 | 25 | 412 | 102 | 108 | 206 | 2427 | 83 | 195 | 51 | 136 | 180 | 15.0 | 12.0 | 10.0 |
| 300(12") | 312 | 400 | 16 | 25 | 493 | 120 | 126 | 247 | 289 | 110 | 210 | 72 | 189 | 305 | 12.0 | 10.0 | 8.0 |
| 350(14") | 355 | 445 | 16 | 25 | 540 | 123 | 129 | 270 | 305 | 110 | 210 | 72 | 189 | 305 | 10.5 | 8.5 | 7.0 |
| 400(16") | 398 | 510 | 16 | 27 | 615 | 163 | 170 | 307.5 | 353 | 130 | 330 | 72 | 189 | 356 | 9.0 | 7.0 | 6.0 |
| 450(18") | 451 | 565 | 20 | 27 | 640 | 175 | 182 | 325 | 365 | 130 | 330 | 116 | 285 | 406 | 9.0 | 6.0 | 5.0 |
| 500(20") | 500 | 620 | 20 | 27 | 730 | 183 | 190 | 373 | 405 | 130 | 330 | 116 | 285 | 457 | 9.0 | 6.0 | 5.0 |
| 600(24") | 600 | 730 | 24 | 33 | 844 | 205 | 218 | 435 | 460 | 175 | 350 | 116 | 285 | 508 | 7.5 | 6.0 | 5.0 |

| ANSI | | | | | | | | | | | | | | Unit: inch | | | |
|-----------------------|-------|-------|----|------|-------|------|------|-------|-------|------|-------|------|-------|------------|-------------------------------------|------|--|
| Nom. Size DN(inch) | D1 | D2 | n | øe | D3 | L | L1 | H1 | H2 | H3 | K | L2 | L3 | D4 | Test Press (lb/in ²) | | Working Press (lb/in ²) |
| | | | | | | | | | | | | | | | Body | Seat | |
| 200(8") | 7.99 | 11.75 | 8 | 0.88 | 13.70 | 3.23 | 3.43 | 6.85 | 8.31 | 4.25 | 6.89 | 2.01 | 5.35 | 7.09 | 225 | 180 | 150 |
| 250(10") | 10 | 14.25 | 12 | 0.98 | 16.22 | 4.02 | 4.25 | 8.11 | 9.56 | 3.27 | 7.68 | 2.01 | 5.35 | 7.09 | 225 | 180 | 150 |
| 300(12") | 12.28 | 17.00 | 12 | 0.98 | 19.41 | 4.72 | 4.96 | 9.72 | 11.38 | 4.33 | 8.27 | 2.83 | 7.44 | 12.01 | 180 | 150 | 120 |
| 350(14") | 13.97 | 18.75 | 12 | 1.14 | 21.26 | 4.84 | 5.08 | 10.63 | 12.01 | 4.33 | 8.27 | 2.83 | 7.44 | 12.01 | 155 | 125 | 105 |
| 400(16") | 15.69 | 21.25 | 16 | 1.14 | 24.21 | 6.42 | 6.69 | 12.11 | 13.90 | 5.12 | 12.99 | 2.83 | 7.44 | 14.02 | 133 | 100 | 88 |
| 450(18") | 17.75 | 22.75 | 16 | 1.26 | 25.20 | 6.89 | 7.17 | 12.80 | 14.37 | 5.12 | 12.99 | 4.57 | 11.22 | 15.98 | 133 | 90 | 75 |
| 500(20") | 19.70 | 25.00 | 20 | 1.26 | 28.74 | 7.20 | 7.48 | 14.69 | 15.94 | 5.12 | 12.99 | 4.57 | 11.22 | 17.99 | 133 | 90 | 75 |
| 600(24") | 23.66 | 29.50 | 20 | 1.38 | 33.23 | 8.07 | 8.58 | 17.13 | 18.11 | 6.89 | 13.78 | 4.57 | 11.22 | 20.00 | 111 | 90 | 75 |

| DIN | | | | | | | | | | | | | | Unit: mm | | | |
|-----------------------|-----|-----|----|----|-----|-----|-----|-------|-------|-----|-----|-----|-----|----------|---------------------|------|------------------------|
| Nom. Size DN(inch) | D1 | D2 | n | øe | D3 | L | L1 | H1 | H2 | H3 | K | L2 | L3 | D4 | Test Press (bar) | | Working Press (bar) |
| | | | | | | | | | | | | | | | Body | Seat | |
| 200(8") | 203 | 295 | 8 | 23 | 348 | 82 | 87 | 174 | 211.2 | 108 | 175 | 51 | 136 | 180 | 15.0 | 12.0 | 10.0 |
| 250(10") | 255 | 350 | 12 | 25 | 412 | 102 | 108 | 206 | 242.7 | 83 | 195 | 51 | 136 | 180 | 15.0 | 12.0 | 10.0 |
| 300(12") | 312 | 400 | 12 | 25 | 493 | 120 | 126 | 247 | 289 | 110 | 210 | 72 | 189 | 305 | 12.0 | 10.0 | 8.0 |
| 350(14") | 355 | 460 | 16 | 25 | 540 | 123 | 129 | 270 | 305 | 110 | 210 | 72 | 189 | 305 | 10.5 | 8.5 | 7.0 |
| 400(16") | 398 | 515 | 16 | 27 | 615 | 163 | 170 | 307.5 | 363 | 130 | 330 | 72 | 189 | 356 | 9.0 | 7.0 | 6.0 |
| 450(18") | 451 | 565 | 20 | 27 | 640 | 175 | 182 | 325 | 365 | 130 | 330 | 116 | 285 | 406 | 9.0 | 6.0 | 5.0 |
| 500(20") | 500 | 620 | 20 | 27 | 730 | 183 | 190 | 373 | 405 | 130 | 330 | 116 | 285 | 457 | 9.0 | 6.0 | 5.0 |
| 600(24") | 600 | 725 | 20 | 30 | 844 | 205 | 218 | 435 | 460 | 175 | 350 | 116 | 285 | 508 | 7.5 | 6.0 | 5.0 |

✘ Standard dimensions based on PVC material.
 ✘ The flanged length tolerance is according to EN558-1:1995.
 ✘ L: The suggested length of the valve as installed on pipeline.