

罐底球阀

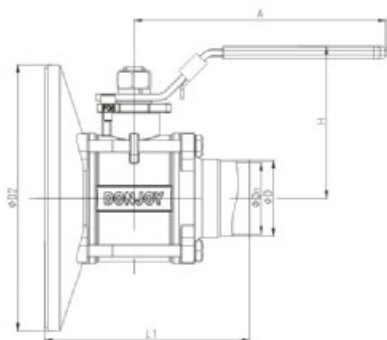
Ball valve at the tank bottom



应用

Applications

- ◆ The ball valve is a specially designed applied to pressure vessels and equipment, including tank emptying and feeding of tank bottom valve, turnkey tee and sealing automatic compensation design, therefore, with the high pressure and high temperature resistant, torque, etc, the characteristics of long service life, content with CIP and SIP cleaning and sterilization. Very suitable for application in high clean technology system such as biological pharmacy, food and beverage, dairy products, chemical and other fields.
- ◆ A configurable various actuators, such as electric, pneumatic, manual interchangeable.



罐底三片式无滞留球阀
NO.VQW120S1-06

SIZE	ISO5211	φDn	φD	φD2	L1	H	A
DN40	1.5"	F05	35.1	38.1	140	121	91
DN50	2"	F05	47.8	50.8	140	136	99
DN65	2.5"	F07	59.5	63.5	180	164	236
DN80	3"	F07	72.2	76.2	200	184	236

各种进出口连接方式

