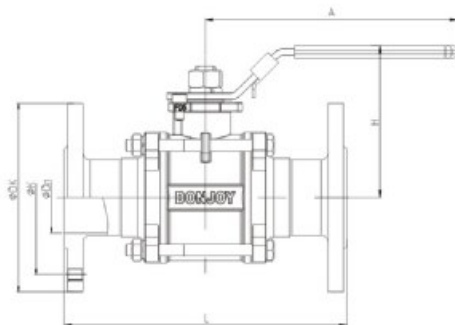


NO. VQW120S1

#### 内螺纹球阀 Thread ball valve

SIZE	ISO5211	L2	H	A	G	BSPT	NPT
0.5"	F04	79	75	163	1/2"	1/2"	1/2"
0.75"	F04	83	75	163	3/4"	3/4"	3/4"
1"	F04	90	78	163	1"	1"	1"
1.25"	F04	107	83	163	1.25"	1.25"	1.25"
1.5"	F05	114	91	164	1.5"	1.5"	1.5"
2"	F05	133	99	164	2"	2"	2"
2.5"	F07	157	116	236	2.5"	2.5"	2.5"
3"	F07	179	127	236	3"	3"	3"



NO. VQW140S1

#### 法兰球阀 Flanged Ball Valve

SIZE	ISO5211	$\Phi D_n$	$\Phi D_k$	$\Phi K$	n- $\Phi d$	L	H	A
DN15	F04	15	95	65	4-14	130	75	163
DN20	F04	19	105	75	4-14	150	75	163
DN25	F04	25	115	85	4-14	160	78	163
DN32	F04	31	140	100	4-18	180	83	163
DN40	F05	37	150	110	4-18	200	91	164
DN50	F05	49	165	125	4-18	230	99	164
DN65	F07	66	185	145	4-18	250	122	236
DN80	F07	81	200	160	8-18	280	133	236
DN100	F10	100	220	180	8-18	320	150	236