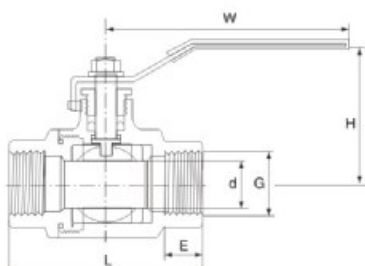


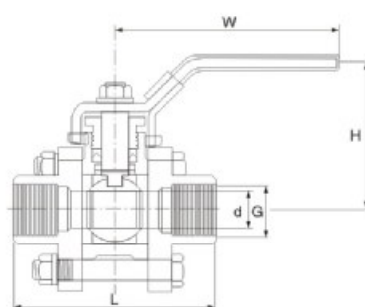


### 二片式内螺纹球阀 Two-Piece Ball Valve



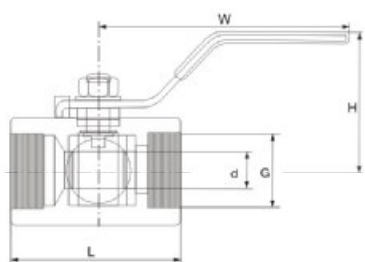
DN	G	d	L		E	H	W
			①	②-M3			
8	1/4"	10	55	55	11.5	50	90
10	3/8"	12	55	60	11.5	50	90
15	1/2"	15	63	75	14	58	90
20	3/4"	20	73	80	15	62	110
25	1"	25	84	90	15	72	120
32	1 1/4"	32	98	110	18	80	130
40	1 1/2"	38	106	120	19	90	150
50	2"	50	121	140	19	98	170
65	2 1/2"	64	146	185	23	125	220
80	3"	78	166	205	25	138	240
100	4"	100	204	240	28	156	300

### 三片式内螺纹球阀 Three-Piece Ball Valve



DN	G	d	L	H	W
8	1/4"	10	65	50	90
10	3/8"	12	65	50	90
15	1/2"	15	70/75/61	55	100
20	3/4"	20	80/80/68	60	120
25	1"	25	90/90/80	70	140
32	1 1/4"	32	110/110/96	82	140
40	1 1/2"	38	120/120/104	90	180
50	2"	50	140/140/125	105	200
65	2 1/2"	64	160/185	120	220
80	3"	78	180/205	132	240
100	4"	100	215/240	160	300

### 一片式内螺纹球阀 One-Piece Ball Valve



DN	G	d	L	H	W
8	1/4"	5	40	28	70
10	3/8"	7	45	30	70
15	1/2"	9	55	34	90
20	3/4"	12	60	38	90
25	1"	15	70	50	110
32	1 1/4"	20	80	56	120
40	1 1/2"	25	86	60	130
50	2"	32	101	65	140
65	2 1/2"	38	117	72	170
80	3"	50	140	105	185