

GEMÜ B20

Manually operated ball valve



Features

- High flow rates
- Low weight
- Compact design
- Lockable hand lever

Description

The GEMÜ B20 2-piece 2/2-way metal ball valve is manually operated. It has a plastic sleeved lockable hand lever. The seat seal is made of PTFE.

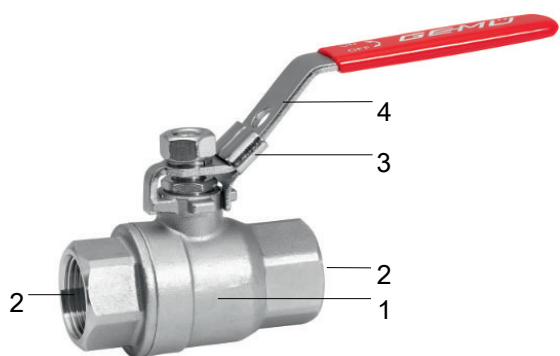
Technical specifications

- **Media temperature:** -20 to 180 °C
- **Ambient temperature:** 0 to 60 °C
- **Operating pressure :** 0 to 63 bar
- **Nominal sizes:** DN 8 to 65
- **Body configurations:** 2/2-way body
- **Connection types:** Threaded connection
- **Connection standards:** DIN | NPT
- **Body materials:** 1.4408, investment casting material
- **Seal materials:** PTFE

Technical data depends on the respective configuration



Product description



Item	Name	Materials
1	Ball valve body	CF8M 1.4408 investment casting
2	Pipe connections	
3	Lock	CF8M 1.4408 investment casting
4	Hand lever	CF8M 1.4408 investment casting

Order data

The order data provide an overview of standard configurations.

Please check the availability before ordering. Other configurations available on request.

Order codes

1 Type	Code
Ball valve, metal, manually operated, 2-piece body, lockable hand lever	B20

2 DN	Code
DN 8	8
DN 10	10
DN 15	15
DN 20	20
DN 25	25
DN 32	32
DN 40	40
DN 50	50
DN 65	65

3 Body/ball configuration	Code
2/2-way body	D

4 Connection type	Code
Threaded socket DIN ISO 228	1
Threaded socket NPT	31

5 Ball valve material	Code
1.4408 / CF8M (body, connection), 1.4401 / SS316 (ball, shaft)	37

6 Seal material	Code
PTFE	5

7 Control function	Code
Manually operated, hand lever, lockable	L

Order example

Order option	Code	Description
1 Type	B20	Ball valve, metal, manually operated, 2-piece body, lockable hand lever
2 DN	15	DN 15
3 Body/ball configuration	D	2/2-way body
4 Connection type	1	Threaded socket DIN ISO 228
5 Ball valve material	37	1.4408 / CF8M (body, connection), 1.4401 / SS316 (ball, shaft)
6 Seal material	5	PTFE
7 Control function	L	Manually operated, hand lever, lockable

Technical data

Medium

Working medium: Corrosive, inert, gaseous and liquid media and steam which have no negative impact on the physical and chemical properties of the body and seal material.

Temperature

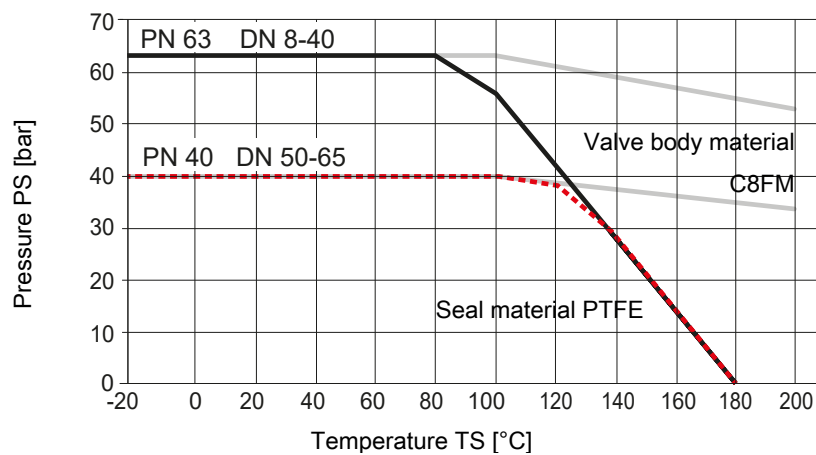
Media temperature: -20 to 180 °C

Ambient temperature: 0 to 60 °C

Storage temperature: 0 to 40 °C

Pressure

Pressure/temperature diagram:



Kv values:

DN	NPS	Kv values
8	1/4"	8.6
10	3/8"	21.0
15	1/2"	35.0
20	3/4"	46.0
25	1"	72.0
32	1¼"	105.0
40	1½"	170.0
50	2"	275.0
65	2½"	272.0

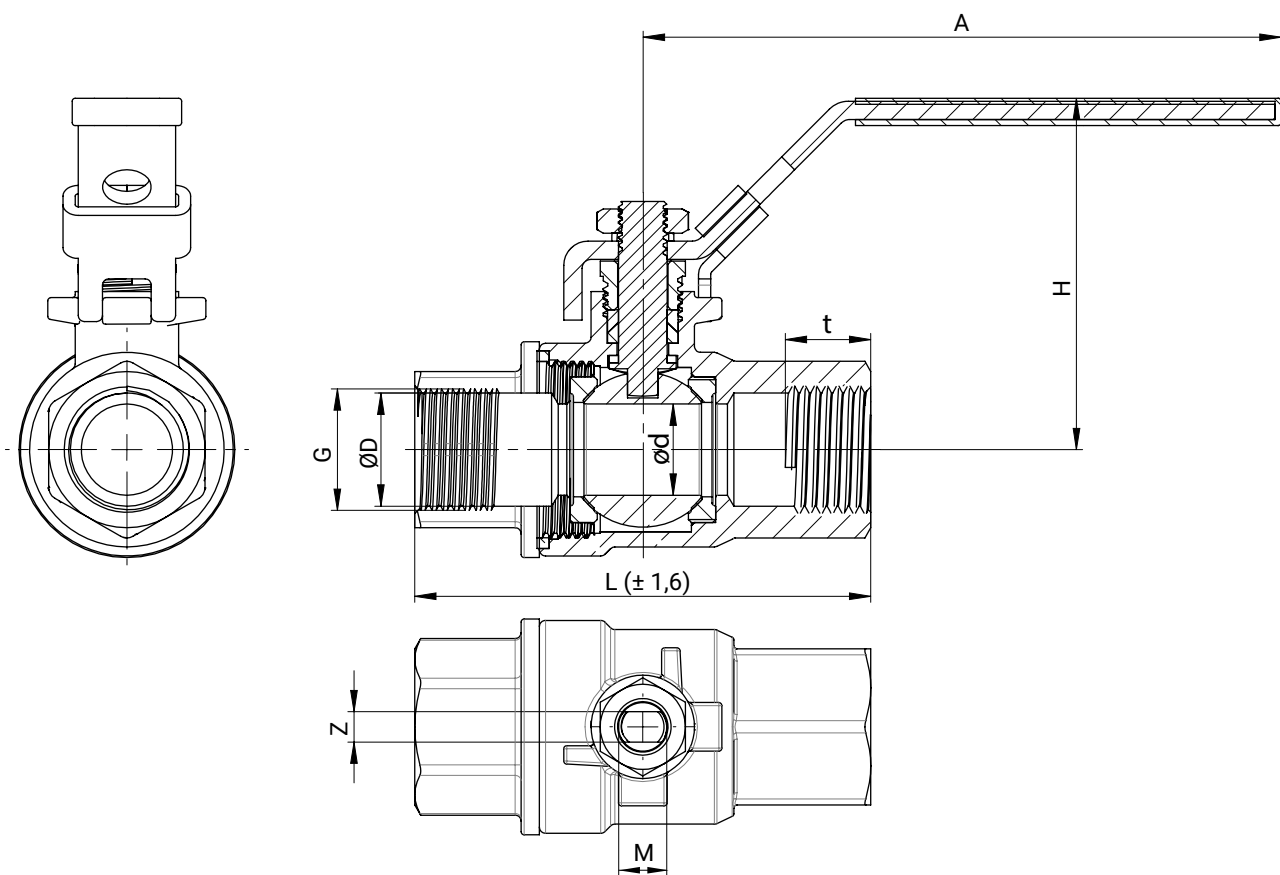
Kv values in m³/h

Mechanical data**Weight:**

DN	NPS	Weight
8	1/4"	0.25
10	3/8"	0.25
15	1/2"	0.4
20	3/4"	0.5
25	1"	0.9
32	1¼"	1.6
40	1½"	2.3
50	2"	3.6
65	2½"	6.5

Weights in kg

Dimensions



DN	G	ød	ØD	A	L	H	t	M	Z
8	1/4"	12.0	15.0	92.0	55.0	49.0	11.0	M8	5.0
10	3/8"	12.0	15.0	92.0	60.0	49.0	11.0	M8	5.0
15	1/2"	15.0	18.6	105.0	75.0	52.0	14.0	M8	5.0
20	3/4"	20.0	24.2	124.0	80.0	63.0	14.0	M10	6.0
25	1"	25.0	30.3	130.0	90.0	67.0	16.0	M10	6.0
32	1¼"	32.0	39.0	140.0	110.0	80.0	22.0	M12	7.0
40	1½"	38.0	44.9	175.0	120.0	93.0	24.0	M14	9.0
50	2"	49.0	56.7	175.0	140.0	110.0	26.0	M14	9.0
65	2½"	64.0	72.6	220.0	185.0	117.0	31.0	M14	9.0

Dimensions in mm



GEMÜ Gebr. Müller Apparatebau GmbH & Co. KG
Fritz-Müller-Straße 6-8, 74653 Ingelfingen-Criesbach, Germany
Phone +49 (0)7940 123-0 · info@gemu.de
www.gemu-group.com