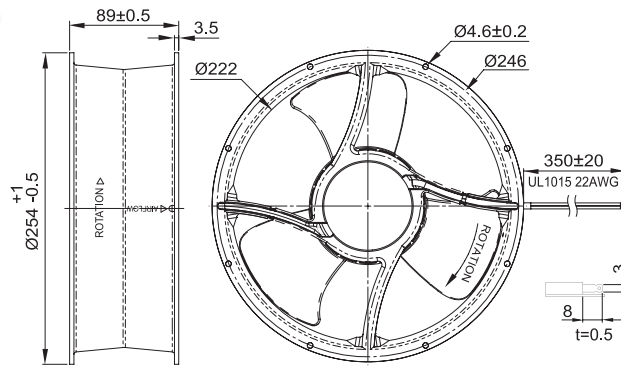


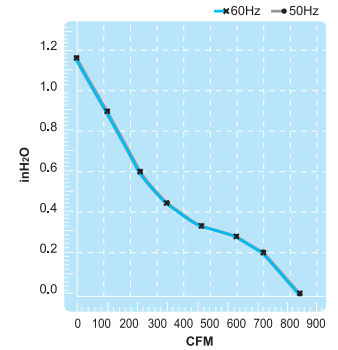
UFT25GBP Series

EC FAN

Size : $\varnothing 254 \times 89$
Unit : mm



(Axial Fan)



Electronically-Protected

Terminal or Lead Wire Type

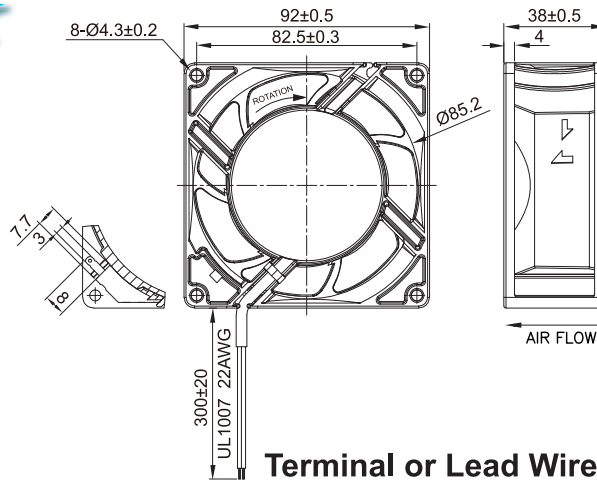


Spec.	Rated Voltage	Frequency	Input Power	Rated Current	Locked Current	Speed	Maximum Air Flow	Maximum Air Flow	Maximum Pressure	Maximum Pressure	Noise	Weight
Model	V	Hz	W	A	A	RPM	m ³ /min.	CFM	mmH ₂ O	InchH ₂ O	dB	kg
UFT25GBP11H1D8A	115	50/60	75	1.05	0.15	2750	23.5	830	30.5	1.20	70	2.09
UFT25GBP23H1D8A	230	50/60	72	0.64	0.15	2750	23.5	830	30.5	1.20	70	2.09
UFT25GBP0AL1D8A	115~230	50/60	21 (115V) 22 (230V)	0.35 (115V) 0.21 (230V)	0.14 (115V) 0.16 (230V)	1700	14.2	500	12.2	0.48	56	2.09

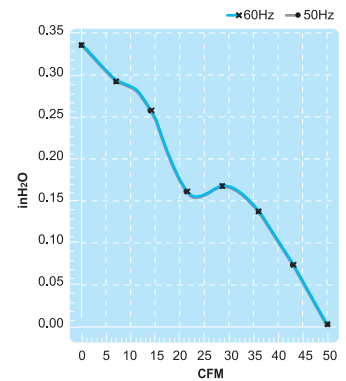
UFT92ABPB Series

EC FAN

Size : 92 x 92 x 38
Unit : mm



(Axial Fan)



Electronically-Protected

Terminal or Lead Wire Type



Spec.	Rated Voltage	Frequency	Input Power	Rated Current	Locked Current	Speed	Maximum Air Flow	Maximum Air Flow	Maximum Pressure	Maximum Pressure	Noise	Weight
Model	V	Hz	W	A	A	RPM	m ³ /min.	CFM	mmH ₂ O	InchH ₂ O	dB	kg
UFT92ABPB0AH1D4A	115~230	50/60	4.8 (115V) 5.2 (230V)	0.08 (115V) 0.05 (230V)	0.07 (115V) 0.05 (230V)	3850	1.4	50	8.4	0.33	43	0.225