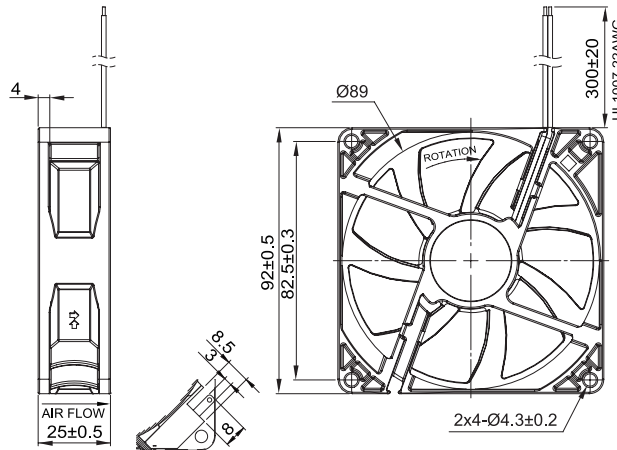
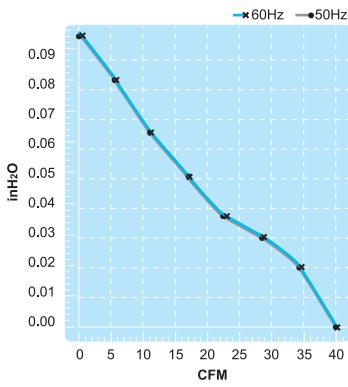


# EC FAN

# UFT92BBPB Series

Size : 92 x 92 x 25  
Unit : mm

(Axial Fan)



Electronically-Protected



Terminal or Lead Wire Type

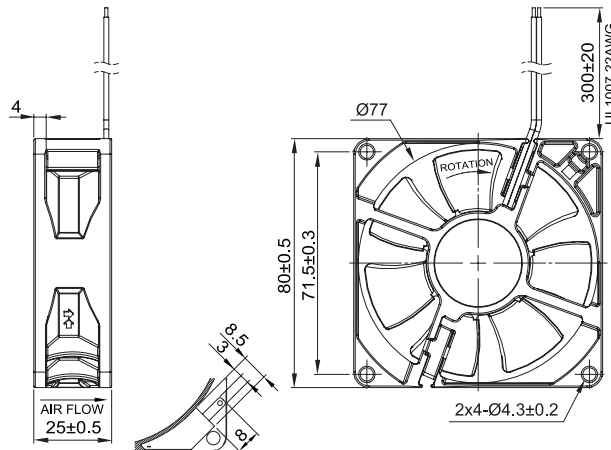
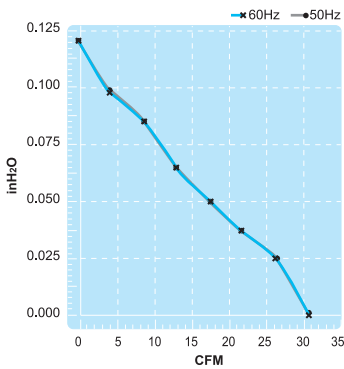
Spec.	Rated Voltage	Frequency	Input Power	Rated Current	Locked Current	Speed	Maximum Air Flow	Maximum Air Flow	Maximum Pressure	Maximum Pressure	Noise	Weight
Model	V	Hz	W	A	A	RPM	m <sup>3</sup> /min.	CFM	mmH <sub>2</sub> O	InchH <sub>2</sub> O	dB	kg
UFT92BBPB0AM1D4A	115~230	50/60	3.0	0.06 (115V) 0.04 (230V)	0.082 (115V) 0.038 (230V)	2650	1.1	39	2.3	0.09	34	0.085

# EC FAN

# UFT80BBPB Series

Size : 80 x 80 x 25  
Unit : mm

(Axial Fan)



Electronically-Protected



Terminal or Lead Wire Type

Spec.	Rated Voltage	Frequency	Input Power	Rated Current	Locked Current	Speed	Maximum Air Flow	Maximum Air Flow	Maximum Pressure	Maximum Pressure	Noise	Weight
Model	V	Hz	W	A	A	RPM	m <sup>3</sup> /min.	CFM	mmH <sub>2</sub> O	InchH <sub>2</sub> O	dB	kg
UFT80BBPB0AM1D4A	115~230	50/60	2.8	0.06 (115V) 0.04 (230V)	0.070 (115V) 0.037 (230V)	3150	0.9	31	3.0	0.12	35	0.072