

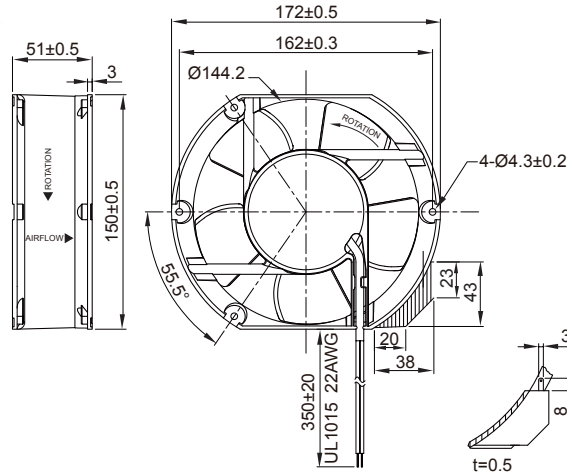
# UFT15PBPB Series

**EC FAN**

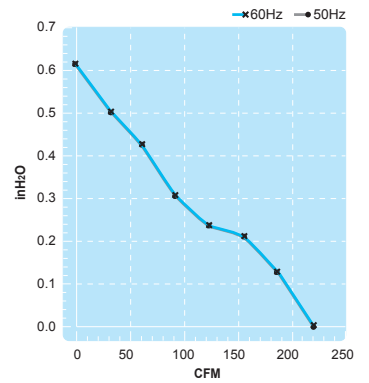
Size : 172 x 150 x 51  
Unit : mm



**Electronically-Protected**



(Axial Fan)



**Terminal or Lead Wire Type**



Spec.	Rated Voltage	Frequency	Input Power	Rated Current	Locked Current	Speed	Maximum Air Flow	Maximum Air Flow	Maximum Pressure	Maximum Pressure	Noise	Weight
Model	V	Hz	W	A	A	RPM	m <sup>3</sup> /min.	CFM	mmH <sub>2</sub> O	InchH <sub>2</sub> O	dB	kg
UFT15PBPB11M1D4A	115	50/60	15	0.23	0.25	3000	6.2	220	15.7	0.62	57	0.7
UFT15PBPB23M1D4A	230	50/60	15	0.14	0.47	3000	6.2	220	15.7	0.62	57	0.7

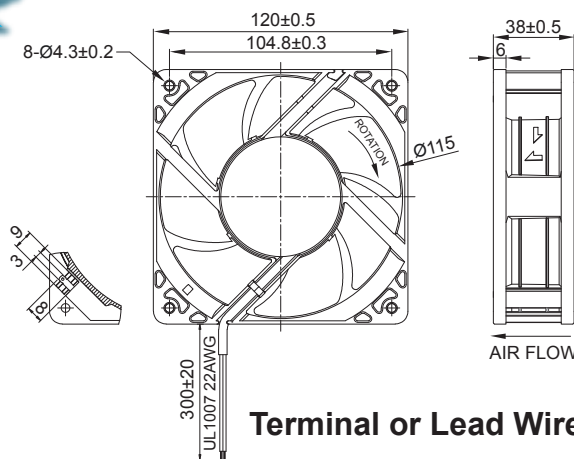
# UFT12ABPB Series

**EC FAN**

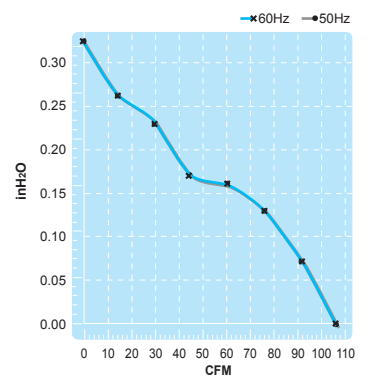
Size : 120 x 120 x 38  
Unit : mm



**Electronically-Protected**



(Axial Fan)



**Terminal or Lead Wire Type**



Spec.	Rated Voltage	Frequency	Input Power	Rated Current	Locked Current	Speed	Maximum Air Flow	Maximum Air Flow	Maximum Pressure	Maximum Pressure	Noise	Weight
Model	V	Hz	W	A	A	RPM	m <sup>3</sup> /min.	CFM	mmH <sub>2</sub> O	InchH <sub>2</sub> O	dB	kg
UFT12ABPB0AM1D4A	115~230	50/60	4.9 (115V) 5.2 (230V)	0.08 (115V) 0.06 (230V)	0.09 (115V) 0.06 (230V)	3200	3.0	106	8.6	0.34	43	0.29