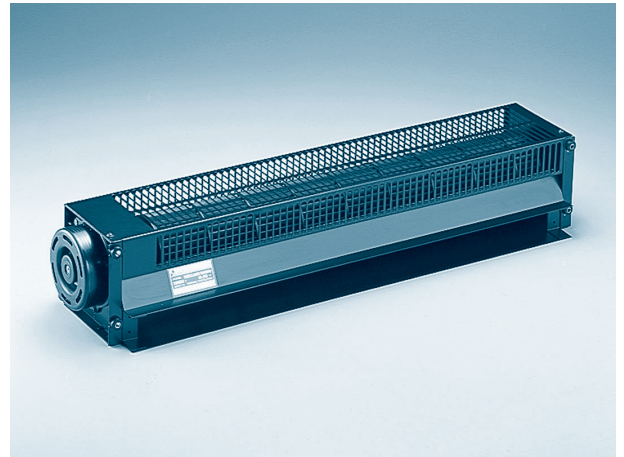
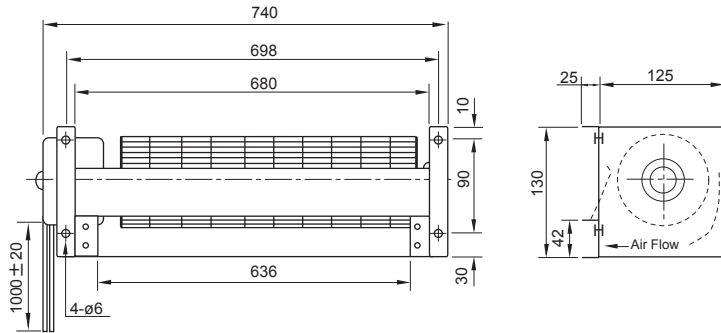


UF9060 Series

Size : 740 x 150 x 130
Unit : mm



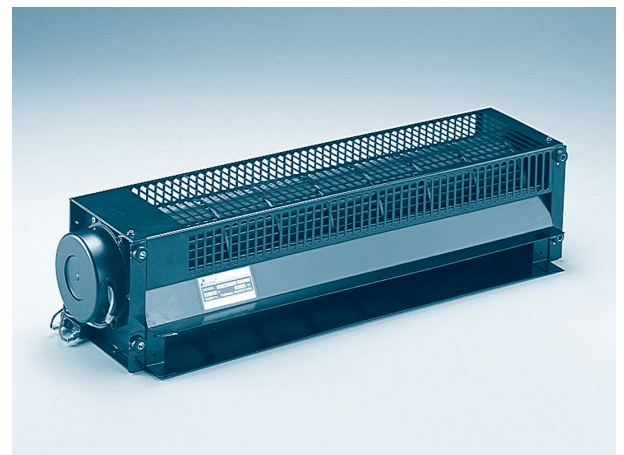
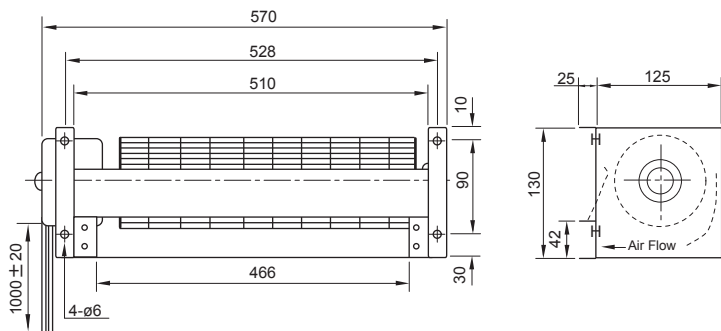
Thermally-Protected



Model	Spec.	Rated Voltage V	Frequency Hz	Input Power W	Rated Current A	Locked Current A	Speed RPM	Maximum Air Flow m ³ /min.	Maximum Air Flow CFM	Maximum Pressure mmH ₂ O	Maximum Pressure InchH ₂ O	Noise dB	Weight kg
UF9060CBP12HL		120	50	130	1.00	1.40	2150	15.5	550	9	0.35	55	6
			60	160	1.25	1.40	2100	15.0	530	11	0.43	54	
UF9060CBP23HL		230	50	130	0.55	0.75	2150	15.5	550	9	0.35	55	6
			60	160	0.70	0.75	2100	15.0	530	11	0.43	54	

UF9446 Series

Size : 570 x 150 x 130
Unit : mm



Thermally-Protected



Model	Spec.	Rated Voltage V	Frequency Hz	Input Power W	Rated Current A	Locked Current A	Speed RPM	Maximum Air Flow m ³ /min.	Maximum Air Flow CFM	Maximum Pressure mmH ₂ O	Maximum Pressure InchH ₂ O	Noise dB	Weight kg
UF9446CBP12HL		120	50	43	0.40	0.63	1350	8.5	300	3.5	0.14	48	3.6
			60	50	0.42	0.63	1550	10.0	354	5.0	0.20	53	
UF9446CBP23HL		230	50	43	0.20	0.31	1350	8.5	300	3.5	0.14	48	3.6
			60	50	0.23	0.31	1550	10.0	354	5.0	0.20	53	