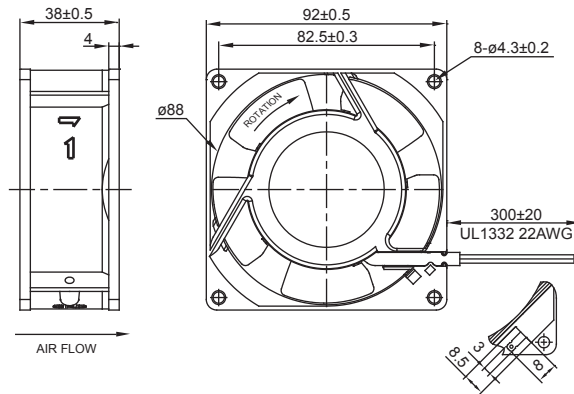
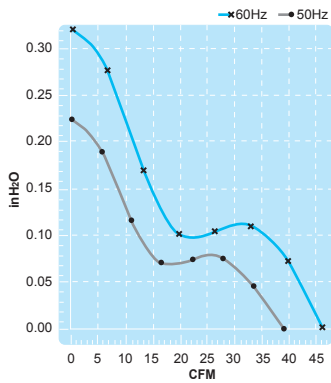


UF92A Series

Size : 92 x 92 x 38
Unit : mm



CE, RoHS, REACH, IP55

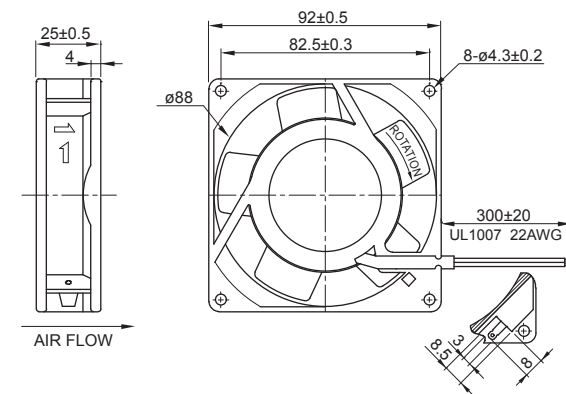
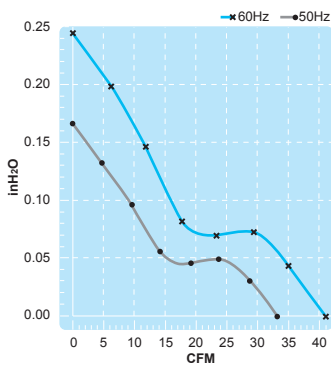
Terminal or Lead Wire Type

Impedance-Protected

Spec. Model	Rated Voltage V	Frequency Hz	Input Power W	Rated Current A	Locked Current A	Speed RPM	Maximum Air Flow m ³ /min.	Maximum Air Flow CFM	Maximum Pressure mmH ₂ O	Maximum Pressure InchH ₂ O	Noise dB	Weight kg
UF92A11-H	115	50	15	0.22	0.29	2800	1.1	38	5.6	0.22	34	0.45
		60	12	0.16	0.25	3300	1.3	46	8.1	0.32	38	
UF92A23-H	230	50	16	0.12	0.15	2800	1.1	38	5.6	0.22	34	0.45
		60	12	0.09	0.13	3300	1.3	46	8.1	0.32	38	

UF92B Series

Size : 92 x 92 x 25
Unit : mm



UL, CE, REACH, IP55

Terminal or Lead Wire Type

Impedance-Protected

Spec. Model	Rated Voltage V	Frequency Hz	Input Power W	Rated Current A	Locked Current A	Speed RPM	Maximum Air Flow m ³ /min.	Maximum Air Flow CFM	Maximum Pressure mmH ₂ O	Maximum Pressure InchH ₂ O	Noise dB	Weight kg
UF92B10-H	100	50	16	0.19	0.20	2500	0.93	33	4.2	0.17	32	0.28
		60	14	0.18	0.19	3000	1.13	40	6.1	0.24	36	
UF92B11-H	115	50	14	0.15	0.16	2500	0.93	33	3.8	0.15	32	0.28
		60	11	0.12	0.13	3000	1.13	40	5.3	0.21	36	
UF92B20-H	200	50	16	0.08	0.09	2500	0.93	33	4.2	0.17	32	0.28
		60	14	0.07	0.08	3000	1.13	40	6.1	0.24	36	
UF92B23-H	230	50	16	0.08	0.09	2500	0.93	33	4.2	0.17	32	0.28
		60	14	0.07	0.08	3000	1.13	40	6.1	0.24	36	
UF92B11-L	115	50	14	0.14	0.15	1800	0.55	20	2.5	0.10	28	0.28
		60	11	0.11	0.12	2300	0.70	25	4.0	0.16	32	
UF92B23-L	230	50	16	0.07	0.08	1800	0.65	23	1.8	0.07	28	0.28
		60	14	0.06	0.07	2300	0.88	31	3.3	0.13	32	