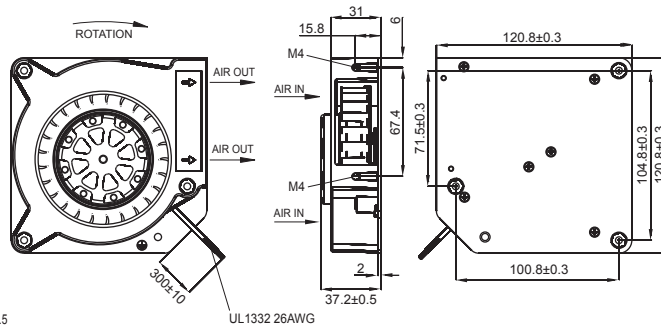
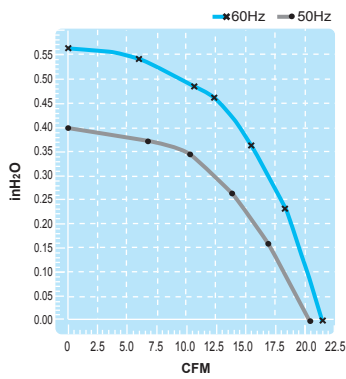


UF90DPB Series

Size : 120.8 x 120.8 x 37.2
Unit : mm

(Blower Fan)



Impedance-Protected

Lead Wire Type



Spec.	Rated Voltage	Frequency	Input Power	Rated Current	Locked Current	Speed	Maximum Air Flow	Maximum Air Flow	Maximum Pressure	Maximum Pressure	Noise	Weight
Model	V	Hz	W	A	A	RPM	m ³ /min.	CFM	mmH ₂ O	InchH ₂ O	dB	kg
UF90DPB11H1S2A	115	50	19	0.23	0.30	2500	0.58	20	10	0.40	49	0.66
		60	18	0.21	0.26	2700	0.60	21	13	0.50	51	
UF90DPB23H1S2A	230	50	19	0.11	0.14	2500	0.58	20	10	0.40	49	0.66
		60	18	0.10	0.12	2700	0.60	21	13	0.50	51	