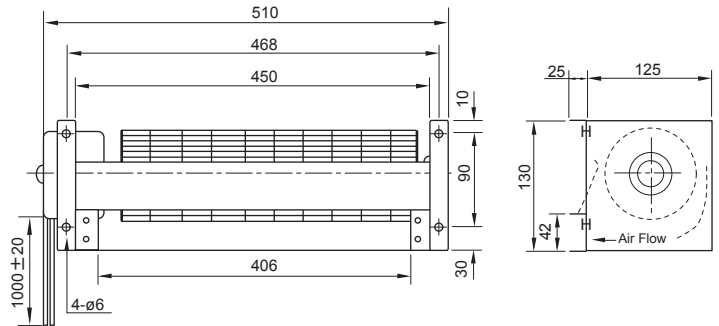
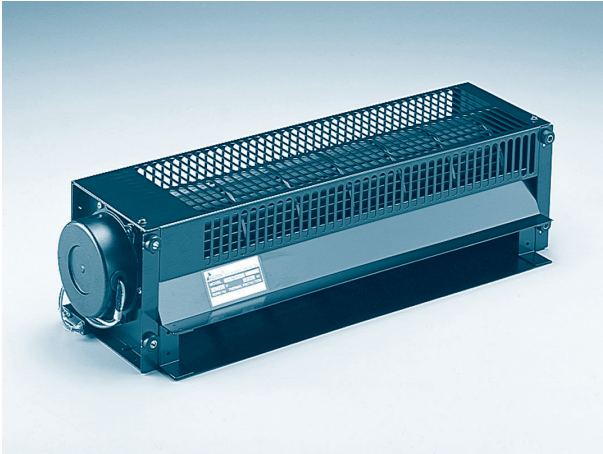


UF9439 Series

Size : 510 x 150 x 130
Unit : mm



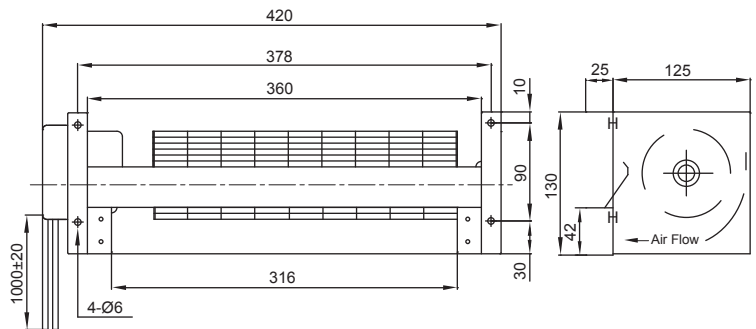
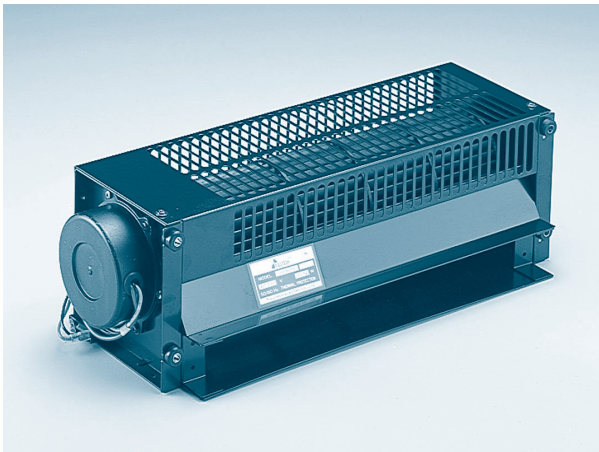
Thermally-Protected



Model	Spec.	Rated Voltage V	Frequency Hz	Input Power W	Rated Current A	Locked Current A	Speed RPM	Maximum Air Flow m ³ /min.	Maximum Air Flow CFM	Maximum Pressure mmH ₂ O	Maximum Pressure InchH ₂ O	Noise dB	Weight kg
UF9439CBP12HL		120	50	43	0.40	0.60	1400	7.5	265	3.5	0.14	48	3.5
			60	50	0.40	0.60	1600	9.0	318	4.5	0.18	53	
UF9439CBP23HL		230	50	43	0.20	0.31	1400	7.5	265	3.5	0.14	48	3.5
			60	50	0.22	0.31	1600	9.0	318	4.5	0.18	53	

UF9029 Series

Size : 420 x 150 x 130
Unit : mm



Thermally-Protected



Model	Spec.	Rated Voltage V	Frequency Hz	Input Power W	Rated Current A	Locked Current A	Speed RPM	Maximum Air Flow m ³ /min.	Maximum Air Flow CFM	Maximum Pressure mmH ₂ O	Maximum Pressure InchH ₂ O	Noise dB	Weight kg
UF9029CBP12HL		120	50	33	0.28	0.40	1350	4.5	159	2.2	0.09	43	3.0
			60	31	0.27	0.40	1560	5.0	177	3.3	0.13	46	
UF9029CBP23HL		230	50	33	0.14	0.20	1350	4.5	159	2.2	0.09	43	3.0
			60	31	0.13	0.19	1560	5.0	177	3.3	0.13	46	