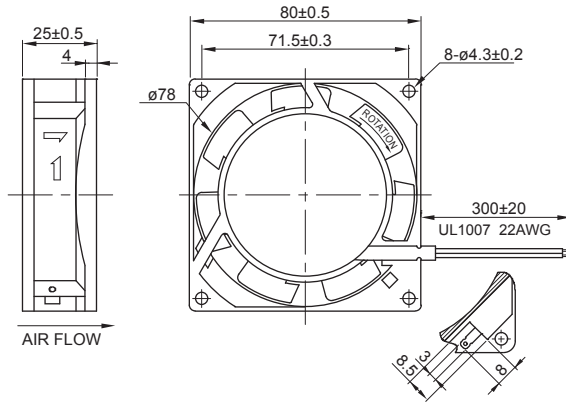
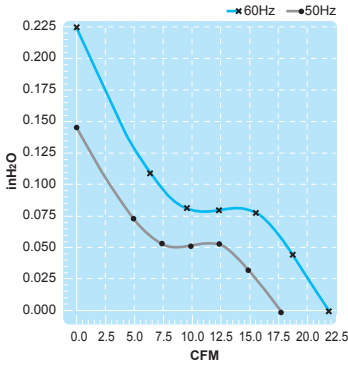


UF80B Series

Size : 80 x 80 x 25
Unit : mm



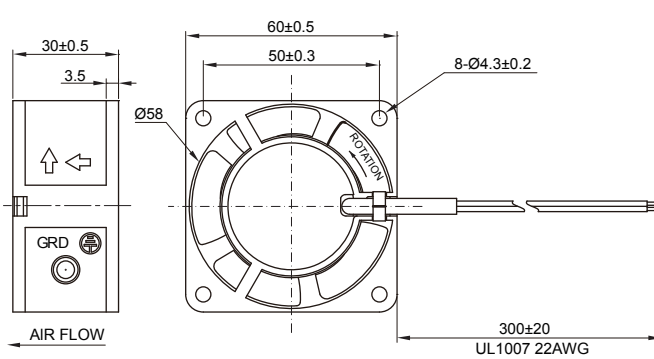
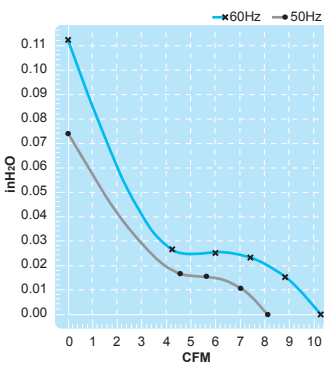
Terminal or Lead Wire Type

Impedance-Protected

Spec.	Rated Voltage	Frequency	Input Power	Rated Current	Locked Current	Speed	Maximum Air Flow	Maximum Air Flow	Maximum Pressure	Maximum Pressure	Noise	Weight
Model	V	Hz	W	A	A	RPM	m ³ /min.	CFM	mmH ₂ O	InchH ₂ O	dB	kg
UF80B10-H	100	50	16	0.19	0.20	2600	0.54	19	3.6	0.14	32	0.26
		60	14	0.18	0.19	3100	0.67	23	5.5	0.22	35	
UF80B11-H	115	50	14	0.15	0.16	2600	0.54	19	3.6	0.14	32	0.26
		60	11	0.12	0.13	3100	0.67	23	5.5	0.22	35	
UF80B20-H	200	50	16	0.08	0.09	2600	0.54	19	3.6	0.14	32	0.26
		60	14	0.07	0.08	3100	0.67	23	5.5	0.22	35	
UF80B23-H	230	50	16	0.08	0.09	2600	0.54	19	3.6	0.14	32	0.26
		60	14	0.07	0.08	3100	0.67	23	5.5	0.22	35	
UF80B11-L	115	50	14	0.14	0.15	1900	0.40	15	2.0	0.08	28	0.26
		60	11	0.12	0.13	2400	0.50	18	3.5	0.14	31	
UF80B23-L	230	50	16	0.07	0.08	1900	0.40	15	2.0	0.08	28	0.26
		60	14	0.06	0.07	2400	0.50	18	3.5	0.14	31	

UF60D Series

Size : 60 x 60 x 30
Unit : mm



Lead Wire Type Only

Impedance-Protected

Spec.	Rated Voltage	Frequency	Input Power	Rated Current	Locked Current	Speed	Maximum Air Flow	Maximum Air Flow	Maximum Pressure	Maximum Pressure	Noise	Weight
Model	V	Hz	W	A	A	RPM	m ³ /min.	CFM	mmH ₂ O	InchH ₂ O	dB	kg
UF60D10-H	100	50	5	0.050	0.055	2400	0.23	8.10	1.8	0.07	27	0.14
		60	4	0.040	0.045	3000	0.29	10.24	2.8	0.11	28	
UF60D11-H	115	50	5	0.042	0.042	2400	0.23	8.10	1.8	0.07	27	0.14
		60	4	0.035	0.040	3000	0.29	10.24	2.8	0.11	28	
UF60D20-H	200	50	5	0.025	0.027	2400	0.23	8.10	1.8	0.07	27	0.14
		60	4	0.020	0.022	3000	0.29	10.24	2.8	0.11	28	
UF60D23-H	230	50	5	0.040	0.022	2400	0.23	8.10	1.8	0.07	27	0.14
		60	4	0.032	0.020	3000	0.29	10.24	2.8	0.11	28	