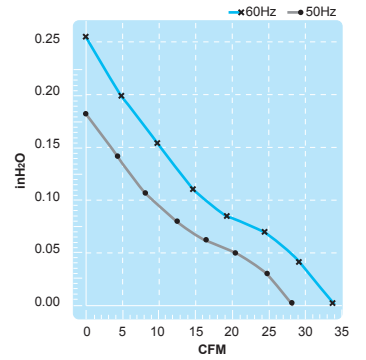
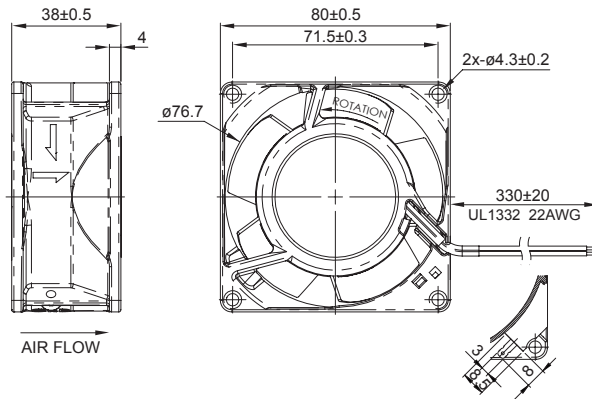


UF80A(M) Series

Size : 80 x 80 x 38
Unit : mm



Impedance-Protected

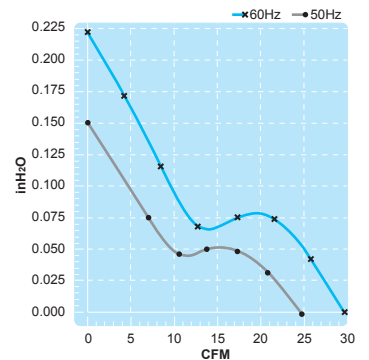
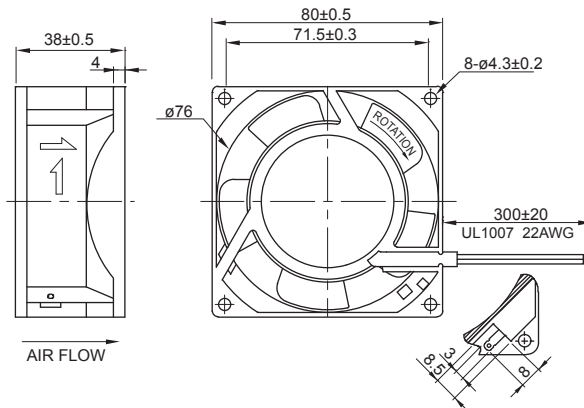
Terminal or Lead Wire Type



Spec.	Rated Voltage	Frequency	Input Power	Rated Current	Locked Current	Speed	Maximum Air Flow	Maximum Air Flow	Maximum Pressure	Maximum Pressure	Noise	Weight
Model	V	Hz	W	A	A	RPM	m ³ /min.	CFM	mmH ₂ O	InchH ₂ O	dB	kg
UF80AM11-H	115	50	13	0.16	0.20	2750	0.8	29	4.8	0.19	35	0.39
		60	11	0.14	0.17	3250	1.0	34	6.6	0.26	40	
UF80AM23-H	230	50	13	0.08	0.10	2750	0.8	29	4.8	0.19	35	0.39
		60	11	0.07	0.07	3250	1.0	34	6.6	0.26	40	

UF80A Series

Size : 80 x 80 x 38
Unit : mm



Impedance-Protected

Terminal or Lead Wire Type



Spec.	Rated Voltage	Frequency	Input Power	Rated Current	Locked Current	Speed	Maximum Air Flow	Maximum Air Flow	Maximum Pressure	Maximum Pressure	Noise	Weight
Model	V	Hz	W	A	A	RPM	m ³ /min.	CFM	mmH ₂ O	InchH ₂ O	dB	kg
UF80A10-H	100	50	14	0.14	0.15	2500	0.68	24	3.6	0.14	32	0.28
		60	12	0.12	0.14	3000	0.83	30	5.3	0.21	36	
UF80A11-H	115	50	12	0.14	0.15	2500	0.68	24	3.6	0.14	32	0.28
		60	9	0.12	0.13	3000	0.83	30	5.3	0.21	36	
UF80A20-H	200	50	14	0.07	0.08	2500	0.68	24	3.6	0.14	32	0.28
		60	12	0.06	0.07	3000	0.83	30	5.3	0.21	36	
UF80A23-H	230	50	14	0.07	0.08	2500	0.68	24	3.6	0.14	32	0.28
		60	12	0.06	0.07	3000	0.83	30	5.3	0.21	36	
UF80A11-L	115	50	12	0.12	0.13	1900	0.49	20	1.7	0.10	28	0.28
		60	9	0.10	0.11	2400	0.62	25	3.0	0.16	32	
UF80A23-L	230	50	14	0.08	0.08	1750	0.49	20	1.7	0.10	28	0.28
		60	12	0.07	0.07	2350	0.62	25	3.0	0.16	32	