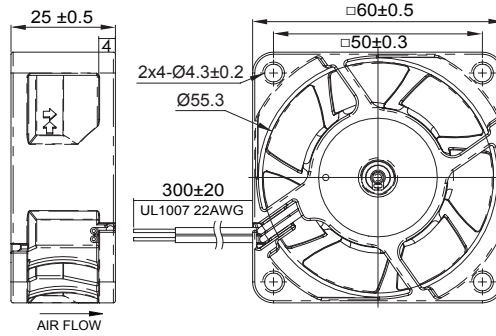
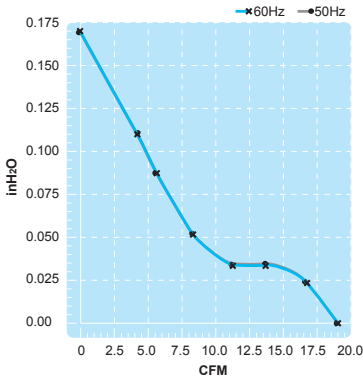


EC FAN

UFT60BBPB Series

Size : 60 x 60 x 25
Unit : mm

(Axial Fan)



Lead Wire Type

Electronically-Protected

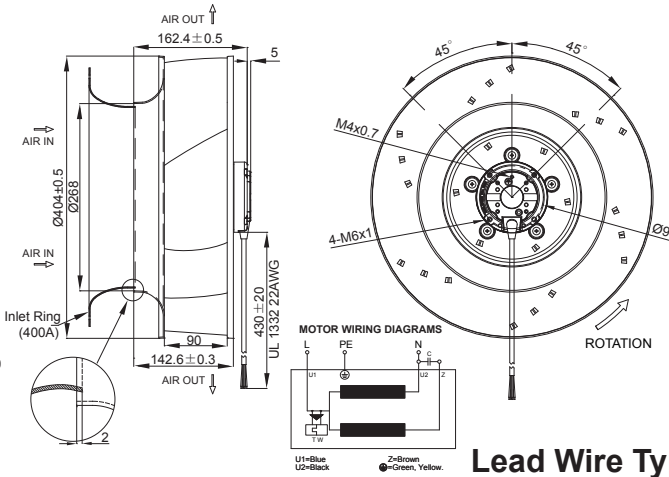
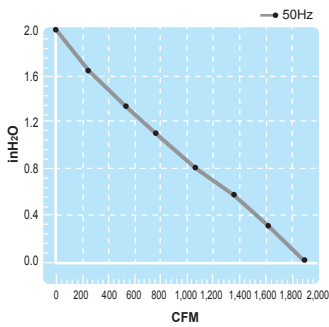


Spec.	Rated Voltage	Frequency	Input Power	Rated Current	Locked Current	Speed	Maximum Air Flow	Maximum Air Flow	Maximum Pressure	Maximum Pressure	Noise	Weight
Model	V	Hz	W	A	A	RPM	m ³ /min.	CFM	mmH ₂ O	InchH ₂ O	dB	kg
UFT60BBPB0AM1D4A	115~230	50/60	2.0 (115V)	0.041 (115V)	0.092 (115V)	3850 (115V)	0.54 (115V)	19.1 (115V)	4.3 (115V)	0.17 (115V)	31	0.06
			2.4 (230V)	0.026 (230V)	0.044 (230V)	3950 (230V)	0.55 (230V)	19.4 (230V)	4.6 (230V)	0.18 (230V)		

UF400AAA Series

Size : ø400 x 162.4
Unit : mm

(Centrifugal Fan)



Thermally-Protected

Lead Wire Type



Spec.	Rated Voltage	Frequency	Input Power	Rated Current	Locked Current	Speed	Maximum Air Flow	Maximum Air Flow	Maximum Pressure	Maximum Pressure	Capacitor	Noise	Weight
Model	V	Hz	W	A	A	RPM	m ³ /min.	CFM	mmH ₂ O	InchH ₂ O	µF/DB	dB	kg
UF400AAA23H1C4A	230	50	287	1.26	1.70	1250	53.8	1900	49.7	1.96	8/450	73	5.45