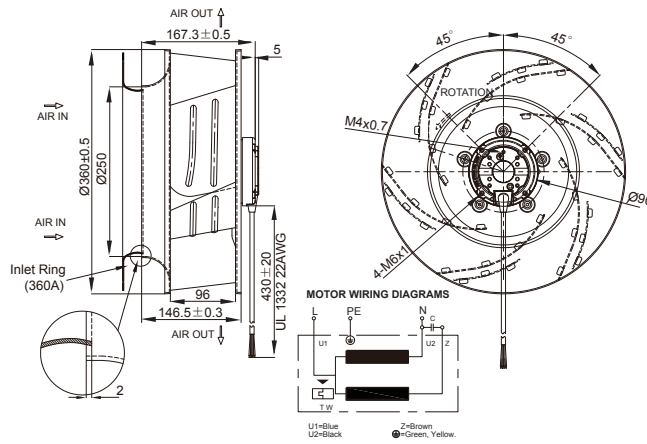
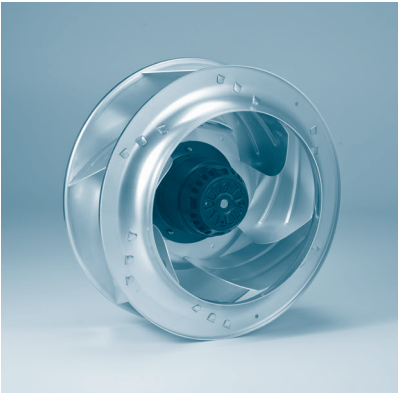
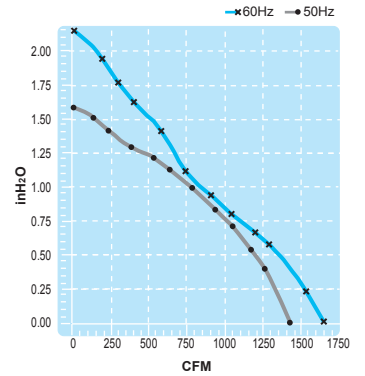


# UF360AAA Series

Size :  $\varnothing 360 \times 167.3$   
Unit : mm



(Centrifugal Fan)



Thermally-Protected

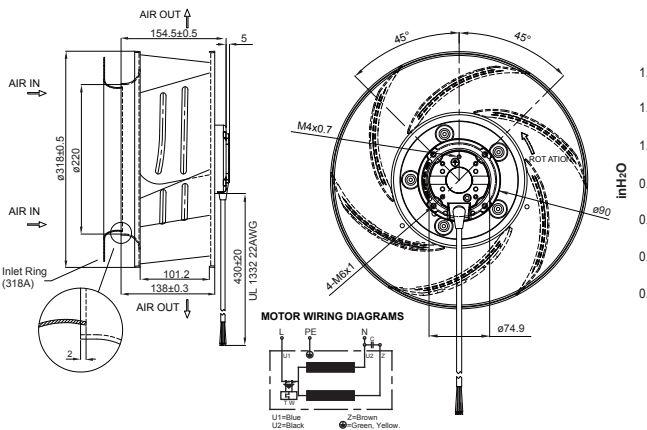
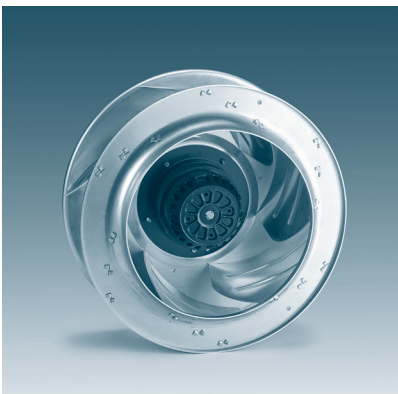
Lead Wire Type



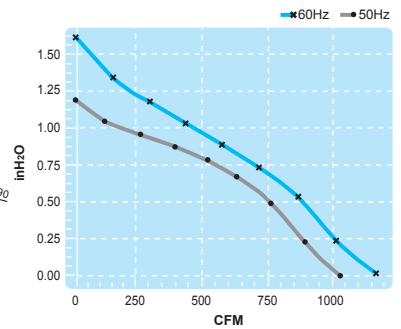
Spec.	Rated Voltage	Frequency	Input Power	Rated Current	Locked Current	Speed	Maximum Air Flow	Maximum Air Flow	Maximum Pressure	Maximum Pressure	Capacitor	Noise	Weight
Model	V	Hz	W	A	A	RPM	m <sup>3</sup> /min.	CFM	mmH <sub>2</sub> O	InchH <sub>2</sub> O	$\mu$ F/VDB	dB	kg
UF360AAA11H1C4A	115	50	190	1.70	4.24	1400	40.5	1430	40	1.6	24/250	66	5.1
		60	270	2.30	4.00	1600	46.5	1645	55	2.2		70	
UF360AAA23H1C4A	230	50	190	0.90	2.12	1400	40.5	1430	40	1.6	6/450	66	5.1
		60	265	1.20	2.00	1600	46.5	1645	55	2.2		70	

# UF318AAA Series

Size :  $\varnothing 318 \times 154.5$   
Unit : mm



(Centrifugal Fan)



Thermally-Protected

Lead Wire Type



Spec.	Rated Voltage	Frequency	Input Power	Rated Current	Locked Current	Speed	Maximum Air Flow	Maximum Air Flow	Maximum Pressure	Maximum Pressure	Capacitor	Noise	Weight
Model	V	Hz	W	A	A	RPM	m <sup>3</sup> /min.	CFM	mmH <sub>2</sub> O	InchH <sub>2</sub> O	$\mu$ F/VDB	dB	kg
UF318AAA11H1C4A	115	50	115	1.10	2.60	1390	28.7	1015	30.5	1.2	16/250	63	3.9
		60	155	1.40	2.40	1580	33.0	1165	40.6	1.6		66	
UF318AAA23H1C4A	230	50	115	0.60	1.43	1390	28.7	1015	30.5	1.2	4/450	63	3.9
		60	155	0.68	1.31	1580	33.0	1165	40.6	1.6		66	