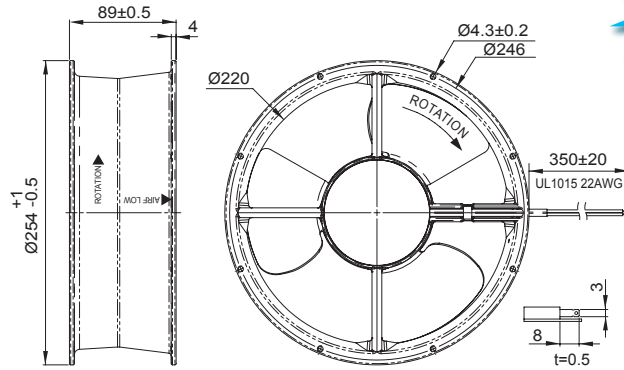
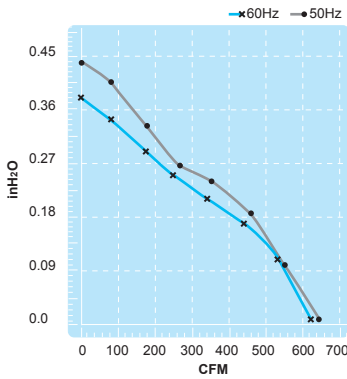


UF25G(CM) Series

Size : $\varnothing 254 \times 89$
Unit : mm



Terminal or Lead Wire Type

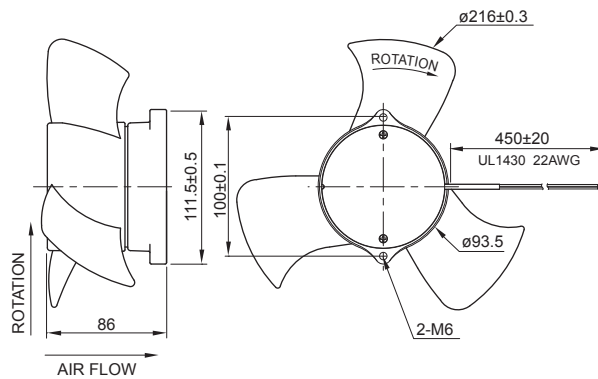
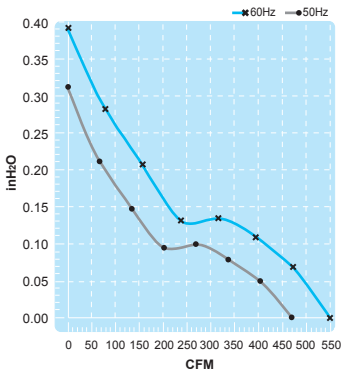
Thermally-Protected



Spec.	Rated Voltage V	Frequency Hz	Input Power W	Rated Current A	Locked Current A	Speed RPM	Maximum Air Flow m ³ /min.	Maximum Air Flow CFM	Maximum Pressure mmH ₂ O	Maximum Pressure InchH ₂ O	Noise dB	Weight kg
UF25GCM11-H	115	50	53	0.46	0.61	2200	18.3	645	11.7	0.46	62	2.7
		60	67	0.58	0.63	2150	17.8	630	9.9	0.39	62	
UF25GCM23-H	230	50	53	0.23	0.30	2200	18.3	645	10.9	0.43	62	2.7
		60	67	0.29	0.31	2150	17.8	630	9.4	0.37	62	

UF25G(CE) Series

Size : $\varnothing 216 \times 86$
Unit : mm



Lead Wire Type

Thermally-Protected



IP55

Spec.	Rated Voltage V	Frequency Hz	Input Power W	Rated Current A	Locked Current A	Speed RPM	Maximum Air Flow m ³ /min.	Maximum Air Flow CFM	Maximum Pressure mmH ₂ O	Maximum Pressure InchH ₂ O	Noise dB	Weight kg
UF25GCE11-H	115	50	36	0.30	0.53	1400	13.0	460	8.0	0.32	52	1.4
		60	39	0.29	0.51	1650	15.5	550	10.0	0.40	55	
UF25GCE23-H	230	50	36	0.14	0.26	1400	13.0	460	8.0	0.32	52	1.4
		60	39	0.14	0.25	1650	15.5	550	10.0	0.40	55	