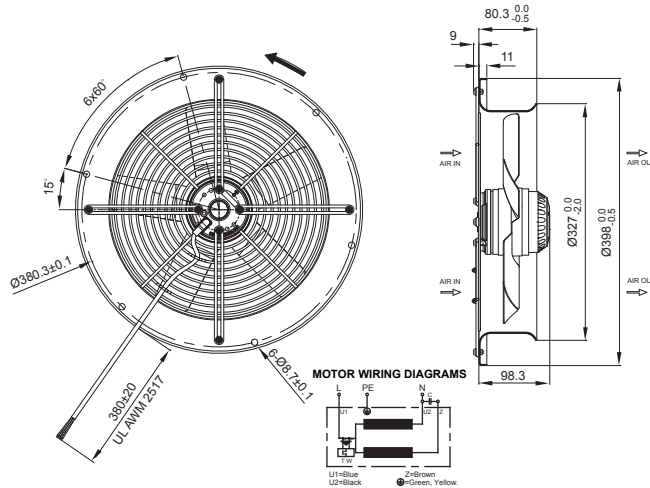
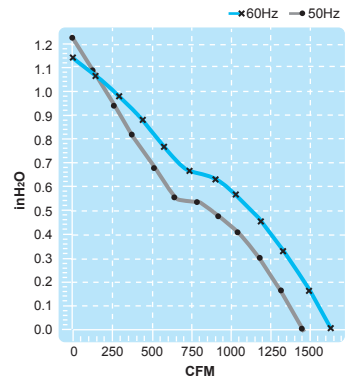


# UF300BNA Series

Size :  $\varnothing 398 \times 98.3$   
Unit : mm



(Axial Fan)



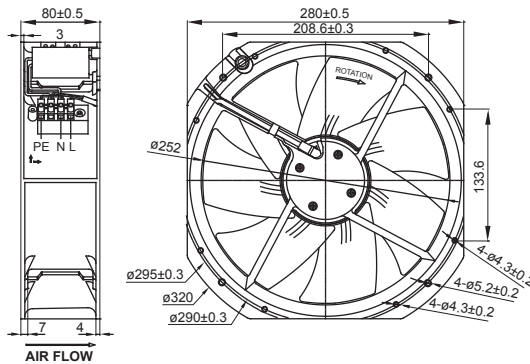
Thermally-Protected



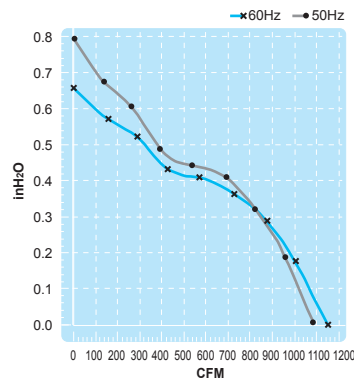
Spec. Model	Rated Voltage V	Frequency Hz	Input Power W	Rated Current A	Locked Current A	Speed RPM	Maximum Air Flow m <sup>3</sup> /min.	Maximum Air Flow CFM	Maximum Pressure mmH <sub>2</sub> O	Maximum Pressure InchH <sub>2</sub> O	Capacitor $\mu$ F/VDB	Noise dB	Weight kg
UF300BNA11H1C2A	115	50	150	1.6	3.15	2650	40.6	1435	31	1.2	20/250	75	4.5
		60	200	2.4	3.10	2950	45.7	1615	29	1.1		78	
UF300BNA23H1C2A	230	50	150	0.9	1.60	2650	40.6	1435	31	1.2	5/450	75	4.5
		60	200	1.2	1.56	2950	45.7	1615	29	1.1		78	

# UF250BMB Series

Size :  $280 \times 280 \times 80$   
Unit : mm



(Axial Fan)



Thermally-Protected



Spec. Model	Rated Voltage V	Frequency Hz	Input Power W	Rated Current A	Locked Current A	Speed RPM	Maximum Air Flow m <sup>3</sup> /min.	Maximum Air Flow CFM	Maximum Pressure mmH <sub>2</sub> O	Maximum Pressure InchH <sub>2</sub> O	Capacitor $\mu$ F/VDB	Noise dB	Weight kg
UF250BMB11H1C2A	115	50	112	1.00	1.90	2550	31	1090	20.0	0.78	12/250	68	2.8
		60	148	1.50	1.90	2700	32	1130	16.5	0.65		70	
UF250BMB23H1C2A	230	50	119	0.59	0.91	2550	31	1090	20.0	0.78	4/450	68	2.8
		60	158	0.82	0.91	2700	32	1130	16.5	0.65		70	