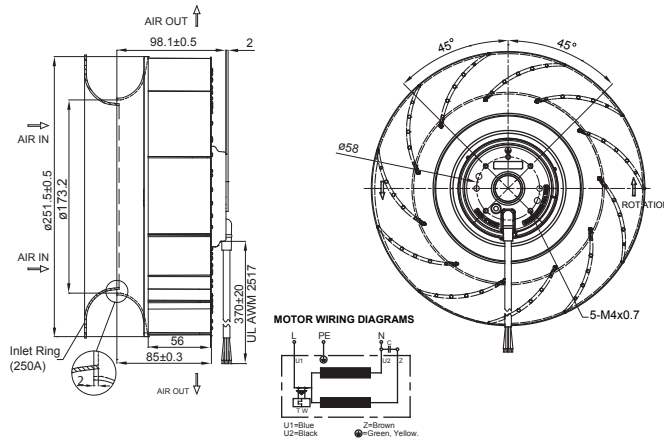
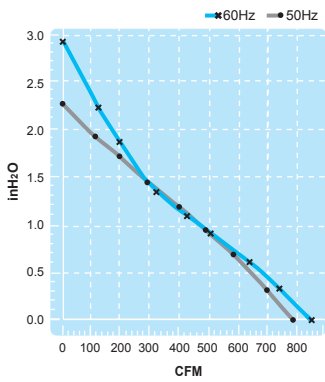


UF250APA Series

Size : $\varnothing 251.5 \times 98.1$
Unit : mm

(Centrifugal Fan)



Thermally-Protected



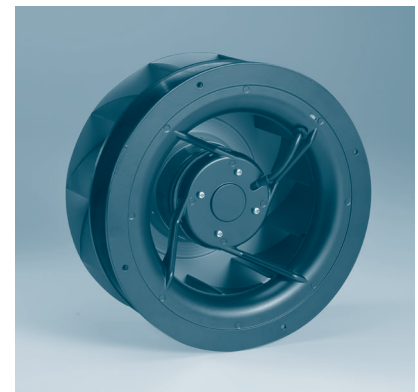
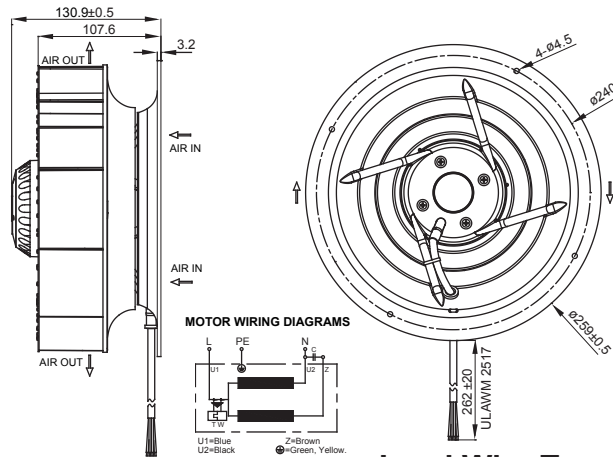
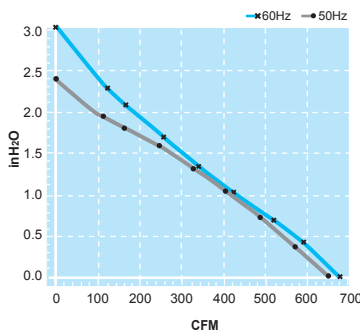
Lead Wire Type

Spec.	Rated Voltage	Frequency	Input Power	Rated Current	Locked Current	Speed	Maximum Air Flow	Maximum Air Flow	Maximum Pressure	Maximum Pressure	Capacitor	Noise	Weight
Model	V	Hz	W	A	A	RPM	m ³ /min.	CFM	mmH ₂ O	InchH ₂ O	μF/VDB	dB	kg
UF250APA11H1C2A	115	50	170	1.50	3.10	2600	22	770	56	2.2	20/250	75	3.1
		60	240	2.10	3.00	2700	24	850	74	2.9		76	
UF250APA23H1C2A	230	50	170	0.77	1.57	2600	22	770	56	2.2	5/450	75	3.1
		60	240	1.00	1.52	2700	24	850	74	2.9		76	

UF250APA-F Series

Size : $\varnothing 259 \times 130.9$
Unit : mm

(Centrifugal Fan)



Thermally-Protected



Lead Wire Type

Spec.	Rated Voltage	Frequency	Input Power	Rated Current	Locked Current	Speed	Maximum Air Flow	Maximum Air Flow	Maximum Pressure	Maximum Pressure	Capacitor	Noise	Weight
Model	V	Hz	W	A	A	RPM	m ³ /min.	CFM	mmH ₂ O	InchH ₂ O	μF/VDB	dB	kg
UF250APA11H1C2F	115	50	170	1.50	3.10	2600	18.5	653	61	2.4	20/250	71	3.3
		60	240	2.10	3.00	2700	19.3	681	78	3.1		72	
UF250APA23H1C2F	230	50	170	0.77	1.57	2600	18.5	653	56	2.4	5/450	71	3.3
		60	240	1.00	1.52	2700	19.3	681	78	3.1		72	