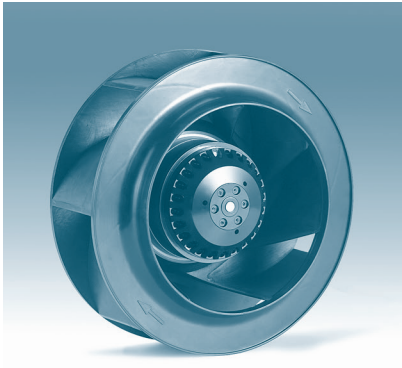
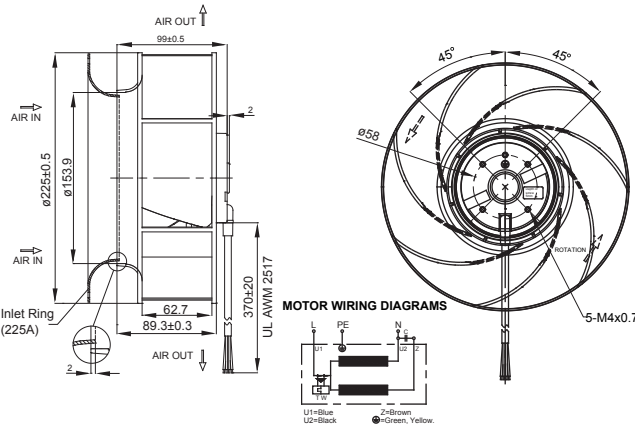


UF225(99)APA Series

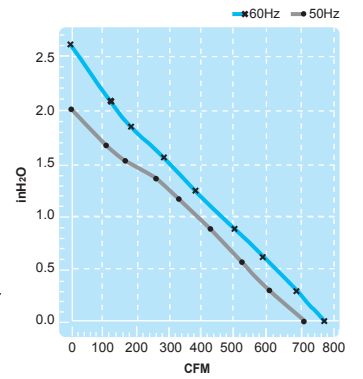
Size : $\varnothing 225 \times 99$
Unit : mm



Thermally-Protected



(Centrifugal Fan)



Lead Wire Type



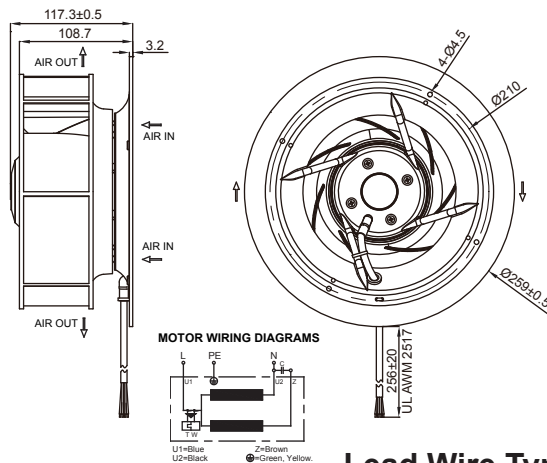
| Spec. | Rated Voltage | Frequency | Input Power | Rated Current | Locked Current | Speed | Maximum Air Flow | Maximum Air Flow | Maximum Pressure | Maximum Pressure | Capacitor | Noise | Weight |
|-------------------------|---------------|-----------|-------------|---------------|----------------|-------|----------------------|------------------|--------------------|----------------------|-----------|-------|--------|
| Model | V | Hz | W | A | A | RPM | m ³ /min. | CFM | mmH ₂ O | InchH ₂ O | μF/VDB | dB | kg |
| UF225(99)APA 11H1C2A | 115 | 50 | 128 | 1.16 | 2.22 | 2650 | 20 | 700 | 51 | 2.0 | 16/250 | 69 | 2.3 |
| | | 60 | 160 | 1.41 | 2.30 | 2950 | 22 | 770 | 66 | 2.6 | | 71 | |
| UF225(99)APA 23H1C2A | 230 | 50 | 126 | 0.57 | 1.14 | 2650 | 20 | 700 | 51 | 2.0 | 4/450 | 69 | 2.3 |
| | | 60 | 157 | 0.70 | 1.15 | 2950 | 22 | 770 | 66 | 2.6 | | 71 | |

UF225(99)APA-F Series

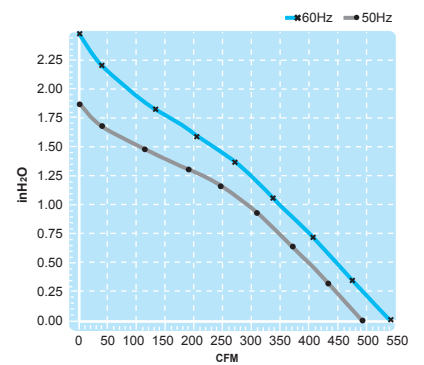
Size : $\varnothing 259 \times 117.3$
Unit : mm



Thermally-Protected



(Centrifugal Fan)



Lead Wire Type



| Spec. | Rated Voltage | Frequency | Input Power | Rated Current | Locked Current | Speed | Maximum Air Flow | Maximum Air Flow | Maximum Pressure | Maximum Pressure | Capacitor | Noise | Weight |
|-------------------------|---------------|-----------|-------------|---------------|----------------|-------|----------------------|------------------|--------------------|----------------------|-----------|-------|--------|
| Model | V | Hz | W | A | A | RPM | m ³ /min. | CFM | mmH ₂ O | InchH ₂ O | μF/VDB | dB | kg |
| UF225(99)APA 11H1C2F | 115 | 50 | 128 | 1.16 | 2.22 | 2650 | 14.0 | 495 | 48 | 1.9 | 16/250 | 69 | 2.6 |
| | | 60 | 160 | 1.41 | 2.30 | 2950 | 15.5 | 547 | 63 | 2.5 | | 71 | |
| UF225(99)APA 23H1C2F | 230 | 50 | 126 | 0.57 | 1.14 | 2650 | 14.0 | 495 | 48 | 1.9 | 4/450 | 69 | 2.6 |
| | | 60 | 157 | 0.70 | 1.15 | 2950 | 15.5 | 547 | 63 | 2.5 | | 71 | |