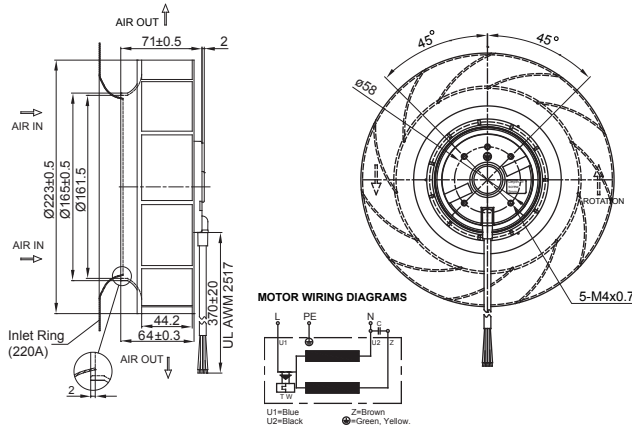


UF220APA Series

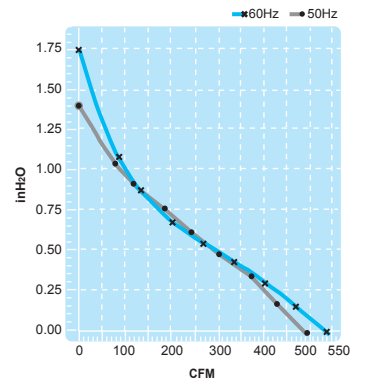
Size : $\varnothing 223 \times 71$
Unit : mm



Thermally-Protected



(Centrifugal Fan)



Lead Wire Type



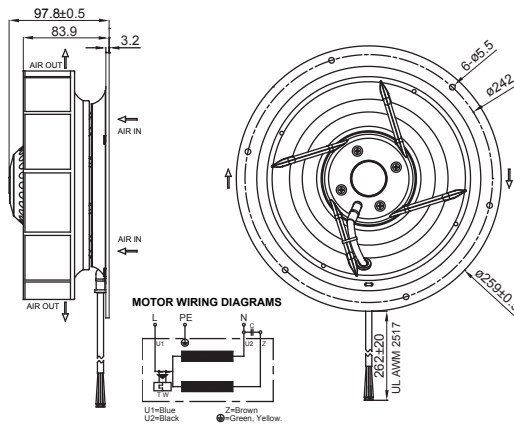
Spec.	Rated Voltage	Frequency	Input Power	Rated Current	Locked Current	Speed	Maximum Air Flow	Maximum Air Flow	Maximum Pressure	Maximum Pressure	Capacitor	Noise	Weight
Model	V	Hz	W	A	A	RPM	m ³ /min.	CFM	mmH ₂ O	InchH ₂ O	μF/VDB	dB	kg
UF220APA11H2C2A	115	50	90	0.63	0.88	2500	14	500	35	1.4	10/250	65	1.5
		60	117	0.80	0.93	2650	15	530	38	1.7		70	
UF220APA23H2C2A	230	50	90	0.35	0.47	2500	14	500	35	1.4	2/450	65	1.5
		60	117	0.39	0.49	2650	15	530	38	1.7		70	

UF220APA-F Series

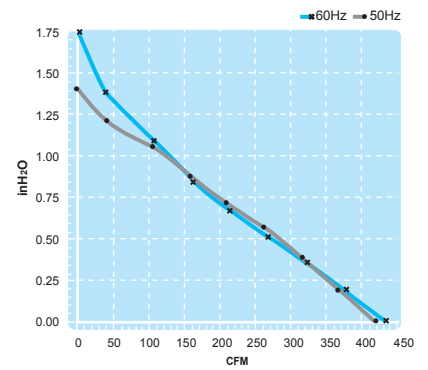
Size : $\varnothing 259 \times 97.8$
Unit : mm



Thermally-Protected



(Centrifugal Fan)



Lead Wire Type



Spec.	Rated Voltage	Frequency	Input Power	Rated Current	Locked Current	Speed	Maximum Air Flow	Maximum Air Flow	Maximum Pressure	Maximum Pressure	Capacitor	Noise	Weight
Model	V	Hz	W	A	A	RPM	m ³ /min.	CFM	mmH ₂ O	InchH ₂ O	μF/VDB	dB	kg
UF220APA11H2C2F	115	50	90	0.63	0.88	2500	12.0	424	36	1.4	10/250	64	1.9
		60	117	0.80	0.93	2650	12.3	434	45	1.8		65	
UF220APA23H2C2F	230	50	90	0.35	0.47	2500	12.0	424	36	1.4	2/450	64	1.9
		60	117	0.39	0.49	2650	12.3	434	45	1.8		65	