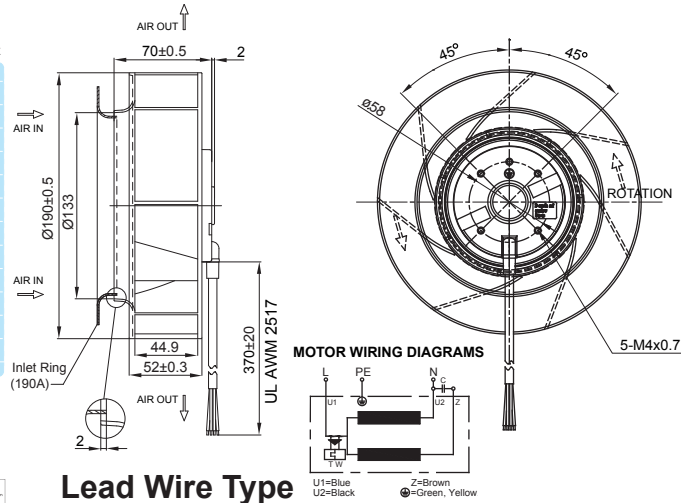
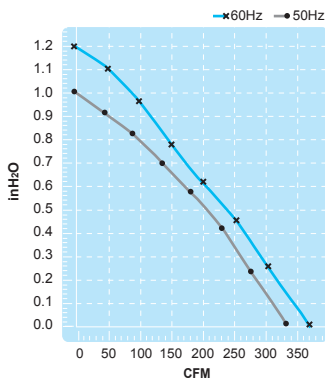


UF190APA Series

Size : $\varnothing 190 \times 70$
Unit : mm

(Centrifugal Fan)



Thermally-Protected



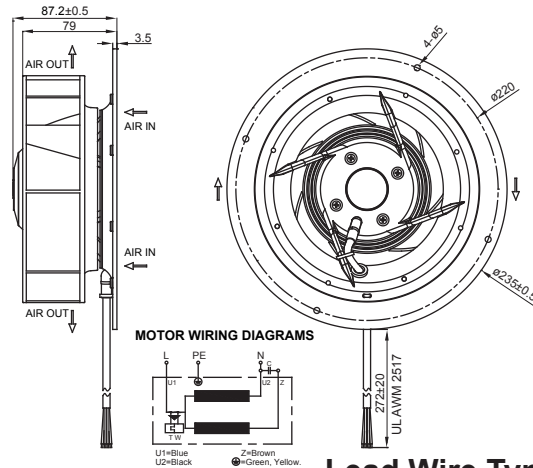
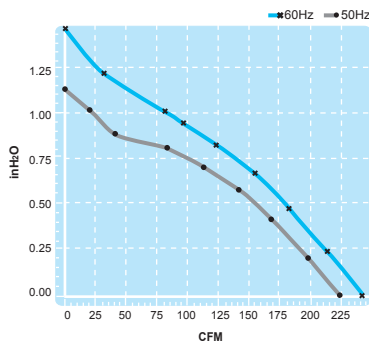
Lead Wire Type

Spec.	Rated Voltage	Frequency	Input Power	Rated Current	Locked Current	Speed	Maximum Air Flow	Maximum Air Flow	Maximum Pressure	Maximum Pressure	Capacitor	Noise	Weight
Model	V	Hz	W	A	A	RPM	m ³ /min.	CFM	mmH ₂ O	InchH ₂ O	μF/VDB	dB	kg
UF190APA11H1C2A	115	50	55	0.45	0.92	2500	9.5	335	25	1.0	6/250	60	1.2
		60	65	0.54	0.91	2700	10.4	370	30	1.2		63	
UF190APA23H1C2A	230	50	57	0.23	0.43	2500	9.5	335	25	1.0	2/450	60	1.2
		60	72	0.30	0.45	2700	10.4	370	30	1.2		63	

UF190APA-F Series

Size : $\varnothing 235 \times 87.2$
Unit : mm

(Centrifugal Fan)



Thermally-Protected



Lead Wire Type

Spec.	Rated Voltage	Frequency	Input Power	Rated Current	Locked Current	Speed	Maximum Air Flow	Maximum Air Flow	Maximum Pressure	Maximum Pressure	Capacitor	Noise	Weight
Model	V	Hz	W	A	A	RPM	m ³ /min.	CFM	mmH ₂ O	InchH ₂ O	μF/VDB	dB	kg
UF190APA11H1C2F	115	50	55	0.45	0.92	2500	6.5	230	29	1.1	6/250	60	1.5
		60	65	0.54	0.91	2700	7.0	247	38	1.5		63	
UF190APA23H1C2F	230	50	57	0.23	0.43	2500	6.5	230	29	1.1	2/450	60	1.5
		60	72	0.30	0.45	2700	7.0	247	38	1.5		63	