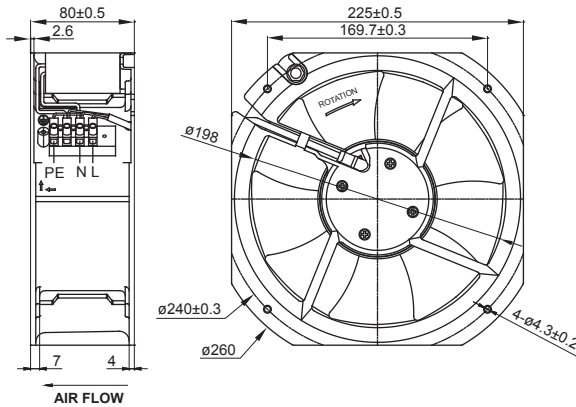
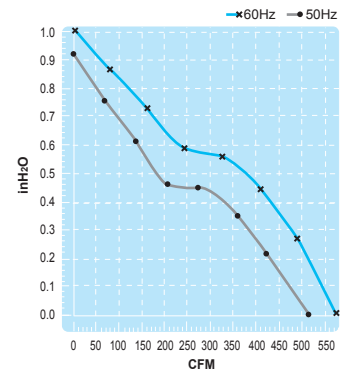


# UF200BMA Series

Size : 225 x 225 x 80  
Unit : mm



(Axial Fan)



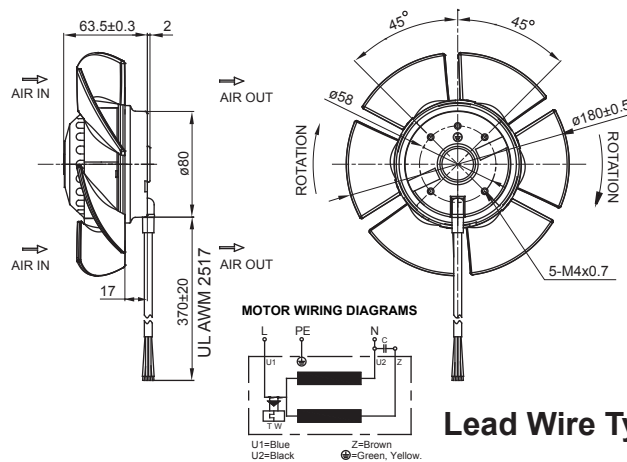
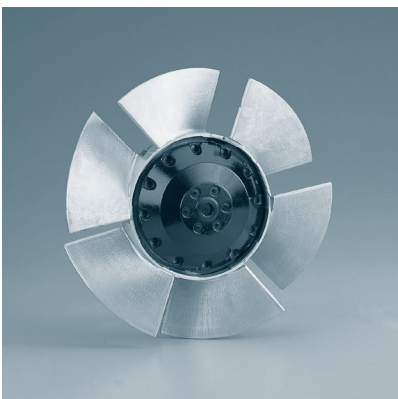
Thermally-Protected



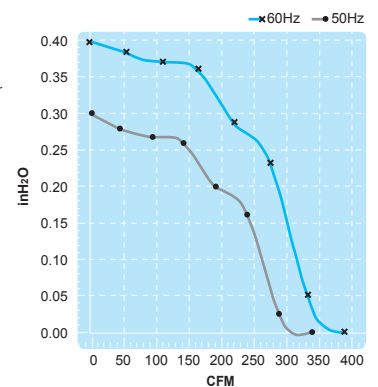
Spec. Model	Rated Voltage V	Frequency Hz	Input Power W	Rated Current A	Locked Current A	Speed RPM	Maximum Air Flow m <sup>3</sup> /min.	Maximum Air Flow CFM	Maximum Pressure mmH <sub>2</sub> O	Maximum Pressure InchH <sub>2</sub> O	Capacitor μF/VDB	Noise dB	Weight kg
UF200BMA11H2C2A	115	50	73	0.75	1.30	2700	14.7	520	23.3	0.92	8/250	65	2.4
		60	75	0.66	1.40	3100	16.5	580	25.4	1.00	8/250	68	2.4
UF200BMA23H2C2A	230	50	72	0.38	0.62	2700	14.7	520	23.3	0.92	2/450	65	2.4
		60	77	0.34	0.63	3100	16.5	580	25.4	1.00	2/450	68	2.4

# UF180BAB Series

Size : ø180 x 63.5  
Unit : mm



(Axial Fan)



Thermally-Protected

Lead Wire Type



Spec. Model	Rated Voltage V	Frequency Hz	Input Power W	Rated Current A	Locked Current A	Speed RPM	Maximum Air Flow m <sup>3</sup> /min.	Maximum Air Flow CFM	Maximum Pressure mmH <sub>2</sub> O	Maximum Pressure InchH <sub>2</sub> O	Capacitor μF/VDB	Noise dB	Weight kg
UF180BAB11H1C2A	115	50	76	0.70	1.23	2750	9.50	335	7.50	0.3	10/250	62	1.2
		60	75	0.71	1.23	3100	11.0	388	10.0	0.4	10/250	65	1.2
UF180BAB23H1C2A	230	50	76	0.35	0.54	2750	9.50	335	7.50	0.3	2/450	62	1.2
		60	75	0.40	0.54	3100	11.0	388	10.0	0.4	2/450	65	1.2