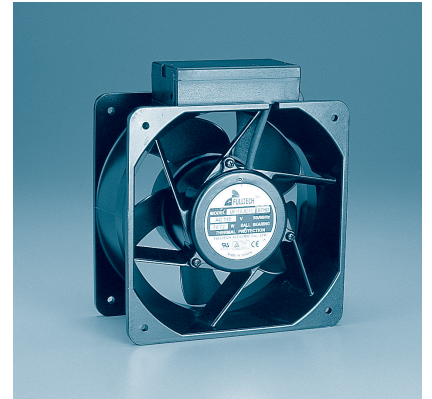
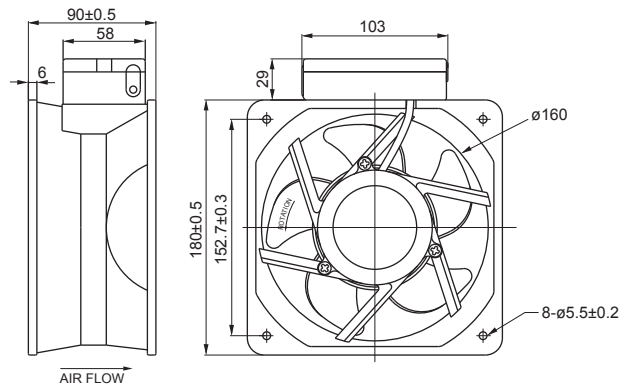
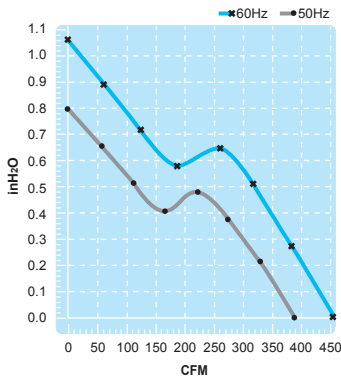


UF18J(C) Series

Size : 180 x 180 x 90
Unit : mm



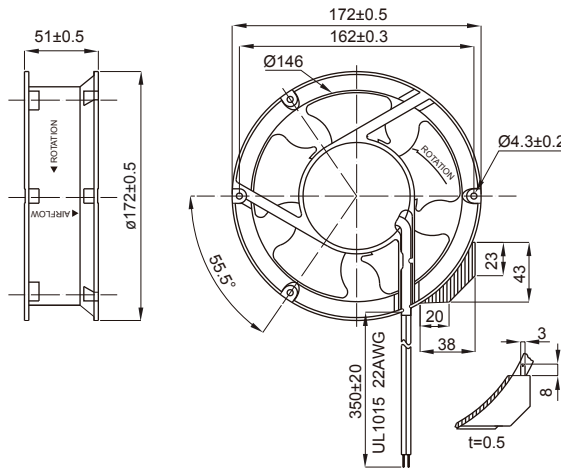
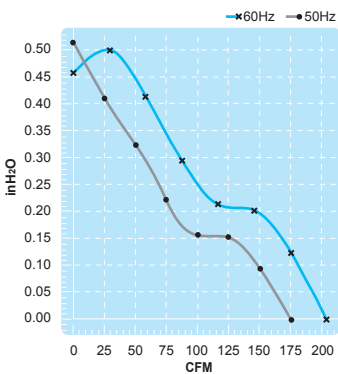
Terminal Box Type

Thermally-Protected

Spec. Model	Rated Voltage V	Frequency Hz	Input Power W	Rated Current A	Locked Current A	Speed RPM	Maximum Air Flow m ³ /min.	Maximum Air Flow CFM	Maximum Pressure mmH ₂ O	Maximum Pressure InchH ₂ O	Noise dB	Weight kg
UF18JC10-H	100	50	78	1.05	2.05	2850	11	390	20	0.78	54	2.2
		60	72	0.77	2.30	3400	13	460	27	1.06	59	
UF18JC11-H	115	50	78	0.88	2.00	2850	11	390	20	0.78	54	2.2
		60	72	0.63	2.01	3400	13	460	27	1.06	59	
UF18JC20-H	200	50	75	0.48	0.97	2850	11	390	20	0.78	54	2.2
		60	72	0.38	0.98	3400	13	460	27	1.06	59	
UF18JC23-H	230	50	75	0.42	1.00	2850	11	390	20	0.78	54	2.2
		60	72	0.31	1.01	3400	13	460	27	1.06	59	

UF17P Series

Size : Ø172 x 51
Unit : mm



Terminal or Lead Wire Type

Impedance-Protected

Spec. Model	Rated Voltage V	Frequency Hz	Input Power W	Rated Current A	Locked Current A	Speed RPM	Maximum Air Flow m ³ /min.	Maximum Air Flow CFM	Maximum Pressure mmH ₂ O	Maximum Pressure InchH ₂ O	Noise dB	Weight kg
UF17P11-H	115	50	32	0.43	0.51	2750	4.8	170	10.5	0.42	49	0.9
		60	28	0.36	0.45	3100	5.5	195	9.5	0.38	53	
UF17P23-H	230	50	35	0.23	0.29	2750	4.8	170	10.5	0.42	49	0.9
		60	30	0.18	0.25	3100	5.5	195	9.5	0.38	53	