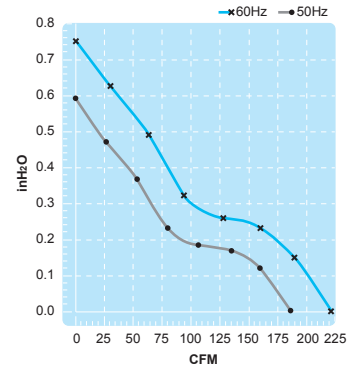
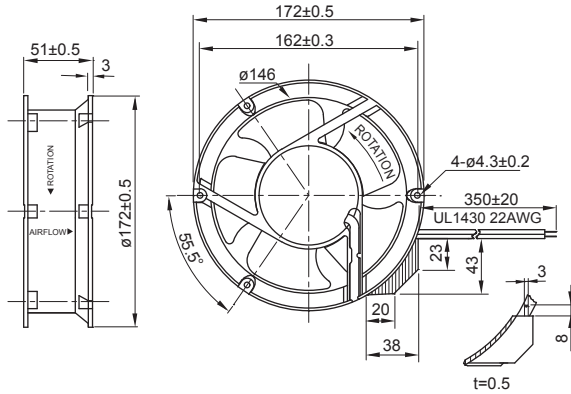
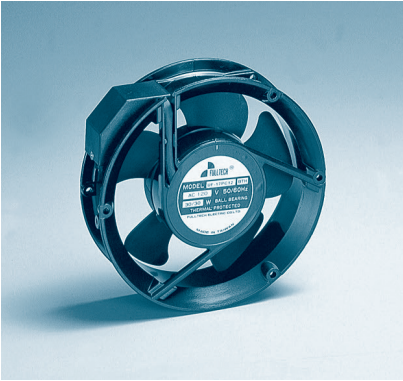


UF17P(C) Series

Size : $\phi 172 \times 51$
Unit : mm



Thermally-Protected

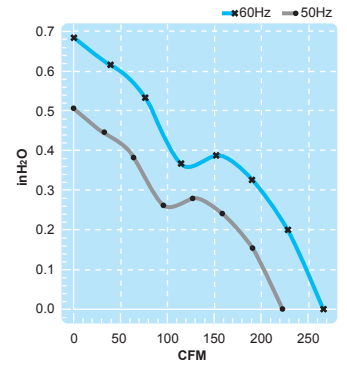
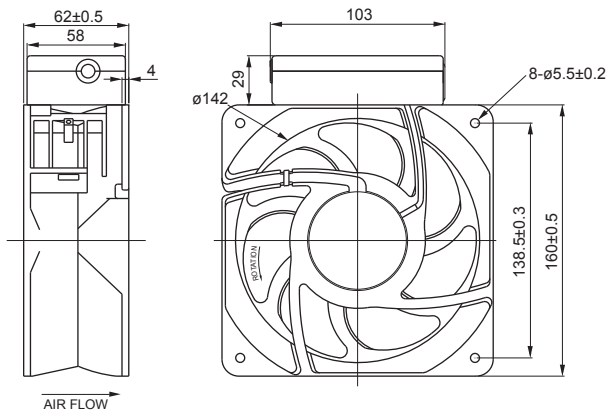
Terminal or Lead Wire Type



Spec. Model	Rated Voltage V	Frequency Hz	Input Power W	Rated Current A	Locked Current A	Speed RPM	Maximum Air Flow m ³ /min.	Maximum Air Flow CFM	Maximum Pressure mmH ₂ O	Maximum Pressure InchH ₂ O	Noise dB	Weight kg
UF17PC10-H	100	50	30	0.33	0.50	2850	5.8	205	16	0.63	50	0.82
		60	30	0.29	0.52	3400	6.4	226	20	0.79	55	
UF17PC11-H	115	50	31	0.26	0.41	2850	5.8	205	16	0.63	50	0.82
		60	31	0.25	0.43	3400	6.4	226	20	0.79	55	
UF17PC20-H	200	50	29	0.15	0.23	2850	5.8	205	16	0.63	50	0.82
		60	29	0.14	0.25	3400	6.4	226	20	0.79	55	
UF17PC23-H	230	50	29	0.12	0.19	2850	5.8	205	16	0.63	50	0.82
		60	29	0.12	0.19	3400	6.4	226	20	0.79	55	
UF17PC11-L	115	50	31	0.17	0.21	1400	2.5	88	3.8	0.15	31	0.82
		60	31	0.15	0.20	1700	3.0	106	5.5	0.22	37	
UF17PC23-L	230	50	29	0.08	0.09	1400	2.5	88	3.8	0.15	31	0.82
		60	29	0.07	0.09	1700	3.0	106	5.5	0.22	37	

UF16F(C) Series

Size : 160 x 160 x 62
Unit : mm



Thermally-Protected

Terminal Box Type



Spec. Model	Rated Voltage V	Frequency Hz	Input Power W	Rated Current A	Locked Current A	Speed RPM	Maximum Air Flow m ³ /min.	Maximum Air Flow CFM	Maximum Pressure mmH ₂ O	Maximum Pressure InchH ₂ O	Noise dB	Weight kg
UF16FC10-H	100	50	46	0.54	0.88	2850	6.3	222	13.5	0.53	52	1.33
		60	41	0.44	0.92	3400	7.5	265	18.2	0.72	56	
UF16FC11-H	115	50	46	0.43	0.80	2850	6.3	222	13.5	0.53	52	1.33
		60	41	0.34	0.79	3400	7.5	265	18.2	0.72	56	
UF16FC20-H	200	50	46	0.27	0.45	2850	6.3	222	13.5	0.53	52	1.33
		60	41	0.22	0.48	3400	7.5	265	18.2	0.72	56	
UF16FC23-H	230	50	46	0.22	0.20	2850	6.3	222	13.5	0.53	52	1.33
		60	41	0.17	0.41	3400	7.5	265	18.2	0.72	56	