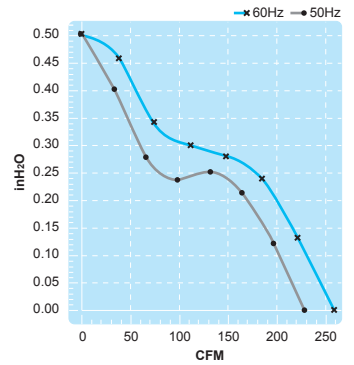
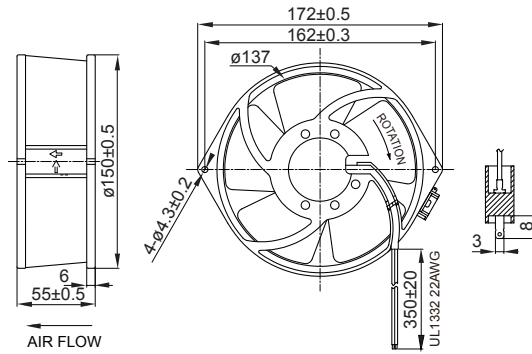


UF15K(MR) Series

Size : 172 x 150 x 55
Unit : mm

* Metal Impeller



Thermally-Protected

Terminal or Lead Wire Type

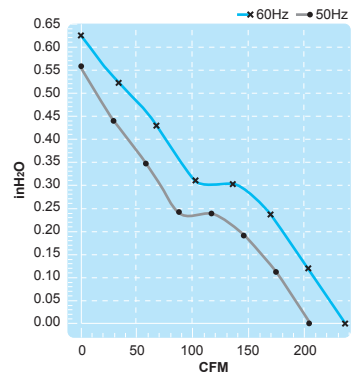
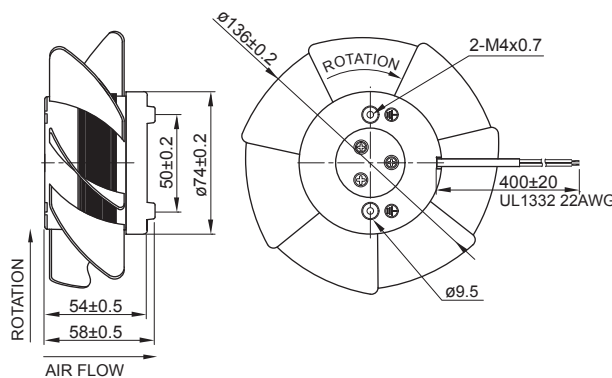


Spec. Model	Rated Voltage V	Frequency Hz	Input Power W	Rated Current A	Locked Current A	Speed RPM	Maximum Air Flow m ³ /min.	Maximum Air Flow CFM	Maximum Pressure mmH ₂ O	Maximum Pressure InchH ₂ O	Noise dB	Weight kg
UF15KMR10-H	100	50	43	0.60	1.03	2750	6.4	225	12.5	0.50	58	1.10
		60	43	0.57	0.86	3150	7.2	255	12.5	0.50	61	
UF15KMR11-H	115	50	45	0.54	0.90	2750	6.4	225	12.5	0.50	58	1.10
		60	45	0.51	0.80	3150	7.2	255	12.5	0.50	61	
UF15KMR20-H	200	50	43	0.30	0.50	2750	6.4	225	12.5	0.50	58	1.10
		60	43	0.28	0.43	3150	7.2	255	12.5	0.50	61	
UF15KMR23-H	230	50	45	0.27	0.44	2750	6.4	225	12.5	0.50	58	1.10
		60	45	0.25	0.38	3150	7.2	255	12.5	0.50	61	

UF15K(ME) Series

Size : ø136 x 58
Unit : mm

* Metal Impeller



Thermally-Protected

Lead Wire Type



Spec. Model	Rated Voltage V	Frequency Hz	Input Power W	Rated Current A	Locked Current A	Speed RPM	Maximum Air Flow m ³ /min.	Maximum Air Flow CFM	Maximum Pressure mmH ₂ O	Maximum Pressure InchH ₂ O	Noise dB	Weight kg
UF15KME11-H	115	50	42	0.51	0.87	2800	5.5	195	14	0.55	45	0.91
		60	42	0.46	0.74	3250	6.5	230	16	0.63	50	
UF15KME23-H	230	50	42	0.25	0.43	2800	5.5	195	14	0.55	45	0.91
		60	42	0.23	0.37	3250	6.5	230	16	0.63	50	