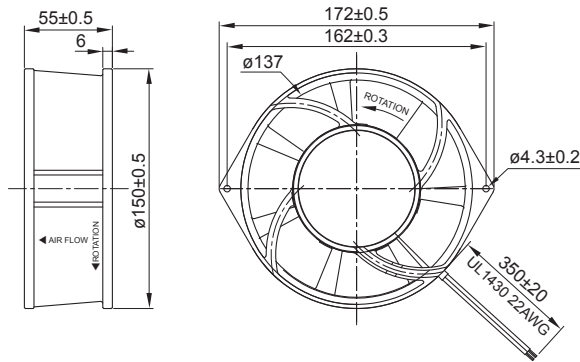
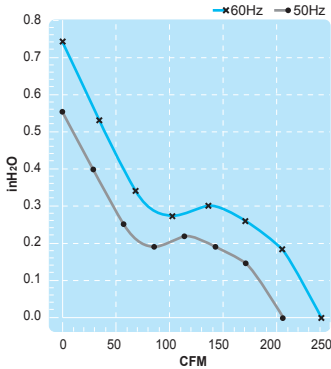


# UF15K(CR) Series

Size : 172 x 150 x 55  
Unit : mm



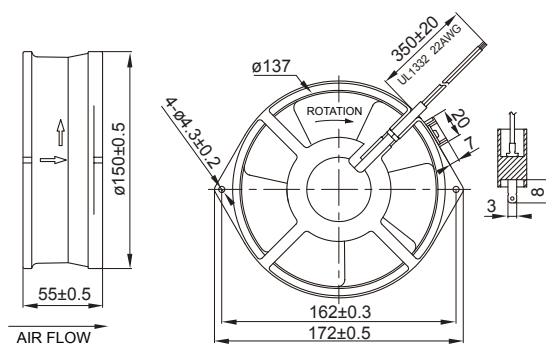
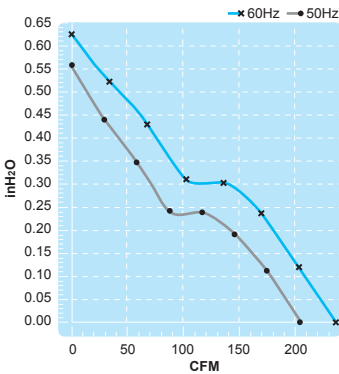
Terminal or Lead Wire Type

Thermally-Protected

Spec.	Rated Voltage V	Frequency Hz	Input Power W	Rated Current A	Locked Current A	Speed RPM	Maximum Air Flow m <sup>3</sup> /min.	Maximum Air Flow CFM	Maximum Pressure mmH <sub>2</sub> O	Maximum Pressure InchH <sub>2</sub> O	Noise dB	Weight kg
UF15KCR10-H	100	50	28	0.32	0.72	2850	5.8	205	14.0	0.55	61	1.08
		60	32	0.33	0.72	3400	6.8	241	18.5	0.73	66	
UF15KCR11-H	115	50	26	0.24	0.58	2850	5.8	205	14.0	0.55	61	1.08
		60	30	0.25	0.58	3400	6.8	241	18.5	0.73	66	
UF15KCR20-H	200	50	28	0.15	0.35	2850	5.8	205	14.0	0.55	61	1.08
		60	32	0.16	0.35	3400	6.8	241	18.5	0.73	66	
UF15KCR23-H	230	50	26	0.11	0.28	2850	5.8	205	14.0	0.55	61	1.08
		60	31	0.13	0.28	3400	6.8	241	18.5	0.73	66	

# UF15K(M) Series

\* Metal Impeller  
Size : 172 x 150 x 55  
Unit : mm



Terminal or Lead Wire Type

Thermally-Protected

Spec.	Rated Voltage V	Frequency Hz	Input Power W	Rated Current A	Locked Current A	Speed RPM	Maximum Air Flow m <sup>3</sup> /min.	Maximum Air Flow CFM	Maximum Pressure mmH <sub>2</sub> O	Maximum Pressure InchH <sub>2</sub> O	Noise dB	Weight kg
UF15KM10-H	100	50	40	0.58	1.03	2800	5.5	195	14	0.55	49	1.10
		60	38	0.50	0.89	3250	6.5	230	16	0.63	53	
UF15KM11-H	115	50	42	0.52	0.88	2800	5.5	195	14	0.55	49	1.10
		60	42	0.47	0.75	3250	6.5	230	16	0.63	53	
UF15KM20-H	200	50	40	0.29	0.50	2800	5.5	195	14	0.55	49	1.10
		60	38	0.26	0.45	3250	6.5	230	16	0.63	53	
UF15KM23-H	230	50	42	0.25	0.43	2800	5.5	195	14	0.55	49	1.10
		60	42	0.23	0.37	3250	6.5	230	16	0.63	53	