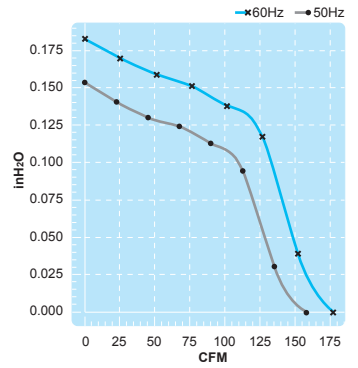
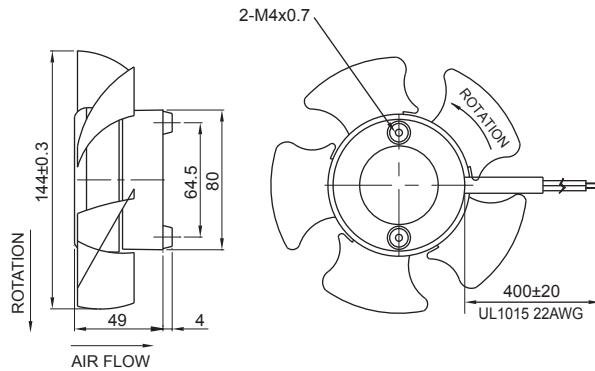


UF15P(E) Series

Size : $\varnothing 144 \times 53$
Unit : mm



Impedance-Protected

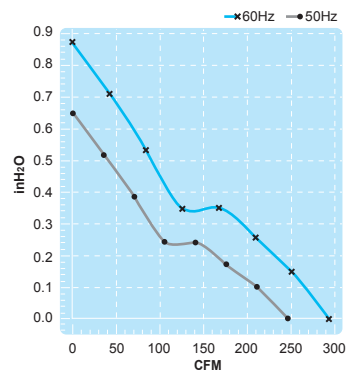
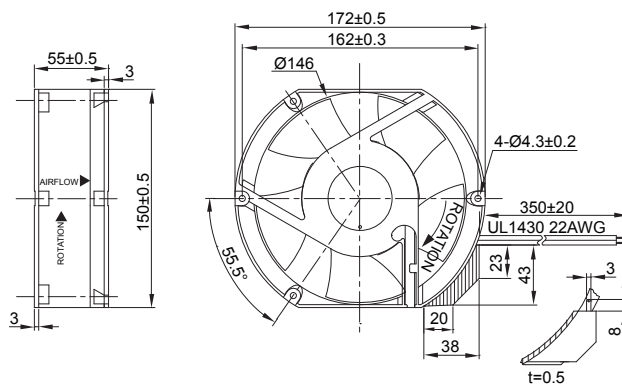
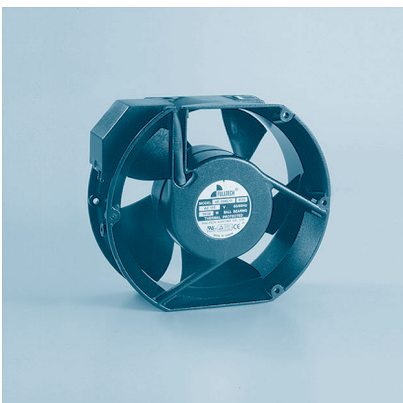
Lead Wire Type

CE IP55

Spec. Model	Rated Voltage V	Frequency Hz	Input Power W	Rated Current A	Locked Current A	Speed RPM	Maximum Air Flow m ³ /min.	Maximum Air Flow CFM	Maximum Pressure mmH ₂ O	Maximum Pressure InchH ₂ O	Noise dB	Weight kg
UF15PE11-H	115	50	36	0.51	0.62	2650	4.53	160	4.06	0.16	48	0.78
		60	33	0.42	0.54	2950	5.10	180	4.57	0.18	53	
UF15PE23-H	230	50	36	0.24	0.29	2650	4.53	160	4.06	0.16	48	0.78
		60	33	0.20	0.25	2950	5.10	180	4.57	0.18	53	

UF15K(C) Series

Size : 172 x 150 x 55
Unit : mm



Thermally-Protected

Terminal or Lead Wire Type

IP55

Spec. Model	Rated Voltage V	Frequency Hz	Input Power W	Rated Current A	Locked Current A	Speed RPM	Maximum Air Flow m ³ /min.	Maximum Air Flow CFM	Maximum Pressure mmH ₂ O	Maximum Pressure InchH ₂ O	Noise dB	Weight kg
UF15KC11-H	115	50	39	0.38	0.750	2900	6.8	240	17	0.67	55	1.05
		60	38	0.34	0.760	3400	8.3	293	23	0.90	60	
UF15KC23-H	230	50	38	0.18	0.380	2900	6.8	240	17	0.67	55	1.05
		60	38	0.17	0.380	3400	8.3	293	23	0.90	60	